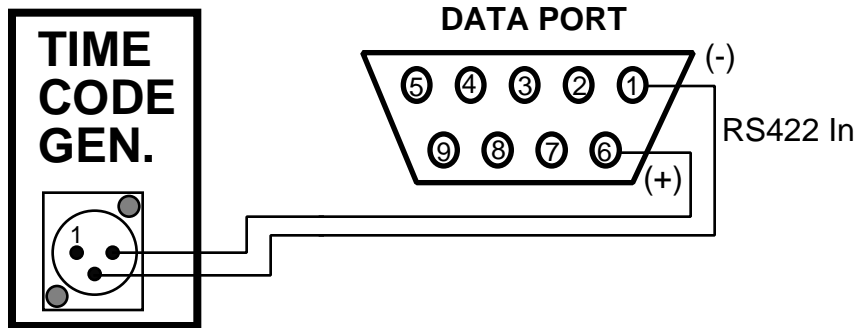
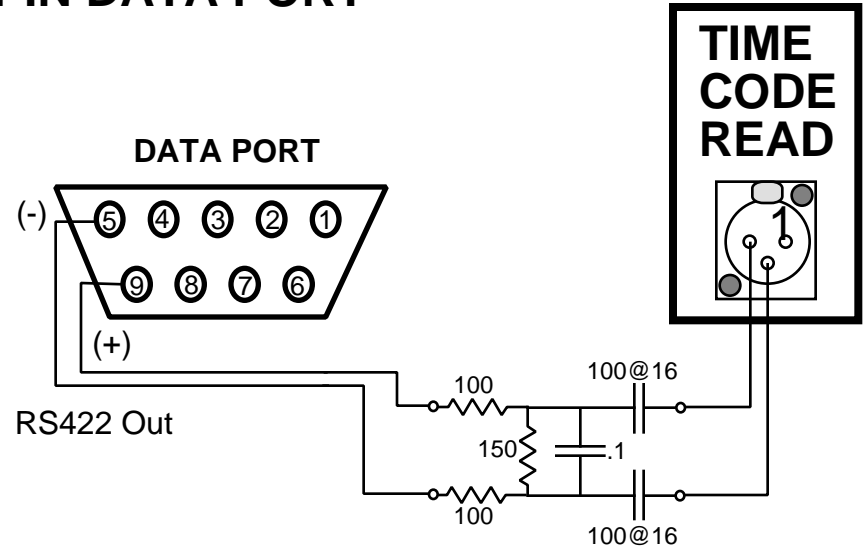


SMPTE TIMECODE THROUGH VIPER or ADDER 9-PIN DATA PORT



Tx



Rx