

LDK 4425 3G Fiber Power Converter

3G Transmission Family & XF Fiber Transmission Family Converter



Converts single mode (dark) fiber to full SMPTE hybrid fiber for connection to either a 3G fiber or XF fiber camera, with no more limitations and no more differences.

LDK 4425 3G Fiber Power Converter from Grass Valley, a Belden Brand, is a heavy duty, high-quality, multistandard module that converts 2X single mode (dark) fiber signals to full 3G camera-powered SMPTE hybrid fiber or for use with a variety of Grass Valley base stations. It supports all HD and 4K video formats and is part of the versatile Grass Valley 3G Transmission family and the XF Fiber Transmission family.

For example, using this converter, with the 3G Twin Base Station (LDK 4420) installed in the truck, you can achieve very long cable runs using 2X single mode fiber cable. Connecting the LDK 4425 to a local mains power supply converts the 2X single mode fiber signal into a full SMPTE hybrid fiber connection ready to power a Grass Valley LDK 3G Fiber or XF Fiber camera.

There are two primary scenarios where this converter is ideal:

1) In pre-cabled (dark) fiber venues and stadiums.

The LDK 4425 Power Converter is connected between the 3G Fiber camera and the pre-cabled dark fiber infrastructure, which is connected to the 3G Twin Base Station.

2) Where very long cable runs are required. The 3G Fiber camera can only normally run up to 3,000m (9,842 ft); this is due to the limitation caused by the need to power Hybrid fiber cable. But this can be extended to over 40 km (24.85 mi.) when using single mode (dark) fiber. Connection is exactly same as above.

With the LDK 4425 3G Fiber Power Converter, you get *complete flexibility from the 3G Fiber transmission system*. There are no more limitations on distance when using an LDK camera in the field.

The LDK 4425 3G Fiber Power Converter is available with ST or SC single mode fiber connections and uses a standard local mains power connector (IEC type, 3-pin male).

The LDK 4425 3G Fiber Power Converter is built to withstand extreme weather situations and conforms to the IP54 safety standard (dust and waterproof). It comes standard with a sunhood and a robust bracket. It can also be placed in a standard 19-inch rack where up to four units can be placed side-by-side. Additional cooling is recommended for rack installation.

LDK 4425 3G Fiber Power Converter 3G Transmission Family & XF Fiber Transmission Family Converter

KEY FEATURES

- Turns single mode (dark) fiber into full powered SMPTE hybrid fiber
- A member of the versatile Grass Valley 3G Transmission family and the XF Fiber Transmission family
- Full transmission diagnostics
- Complements XCU Twin (XCU 4221/4271), 3G Twin (LDK 4420), XCU Universe and XCU HD/4K IP base stations
- Robust field unit (conforms to the IP54 standard)
- Extremely long cable capabilities (>40 km / 24.85 mi.)

SPECIFICATIONS

General Video

720p: 23.98/25/29.97/50/59.94 Hz

1080i: 50/59.94 Hz

1080p (WorldCam):

23.98/24/25/29.97/50/59.94 Hz

General

Dimensions (HxWxL, approx): 230 x 330 x 110 mm (9.1 x 13.0 x 4.3 inch) without sunhood, without bracket

Operating temperature: -20°C to 45°C (-4°F to 113°F)

Storage temperature: -40°C to 70°C (-40°F to 158°F)

Operation humidity: Max. 90% (non-condensing)

Shock resistance: Max. 10G (transport), max. 2G (operating)

Altitude: Max. 15,420m (50,000 ft.)

Weight: 8.5 kg (18.7 lbs.)

Power connector: IEC type, 3-pin male

Power requirement: AC 100V/240V, 47 to 63 Hz

Power consumption (local mains connection):

380 VA or 375 Watt max. in studio configuration; 200 VA or 180 Watt max. in portable configuration

Note: When used inside 19" rack, additional cooling is recommended.

Connection to Base Station via Single Mode Fiber

Single mode fiber: SC or ST

Typical cable length SM fiber (base station to converter): >40 km (24.85 mi.)

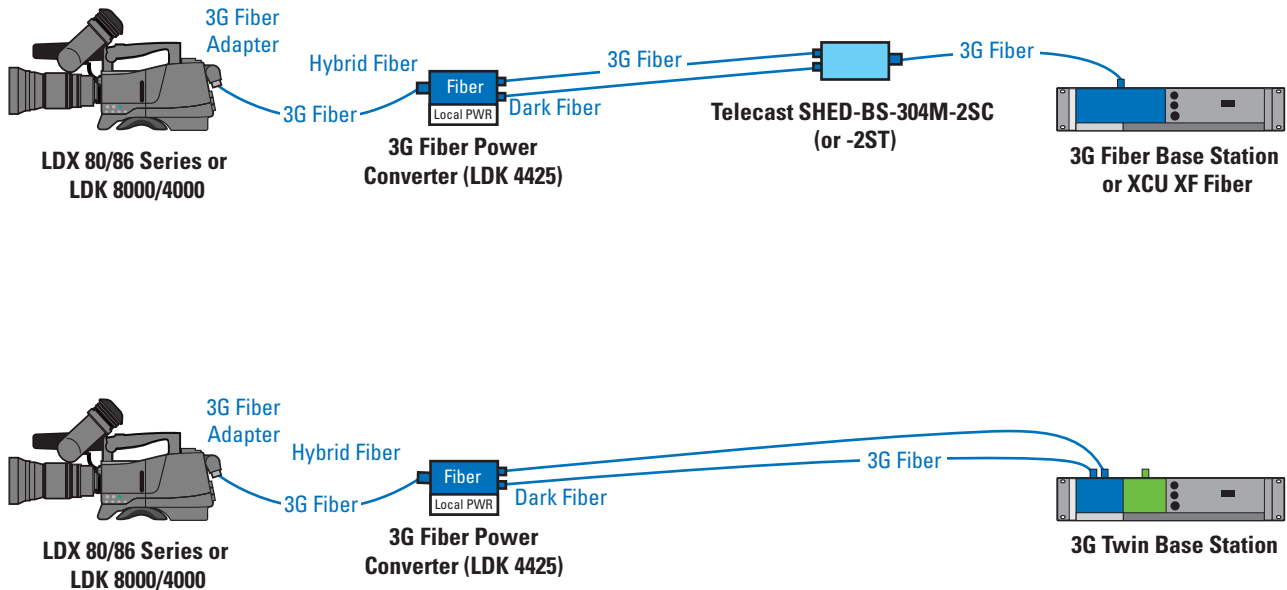
Connection to Camera via Hybrid Fiber

Hybrid fiber: LEMO Hybrid fiber connector acc. SMPTE 304

Typical cable length fiber: Hybrid fiber (SMPTE 311) up to 3,000m (9,842 ft.)

Indicators (LED)

LED indicators: Camera test/connected and local mains power



ORDERING

Please contact your authorized Grass Valley representative.



GVB-1-0157C-EN-DS

WWW.GRASSVALLEY.COM

Join the Conversation at **GrassValleyLive** on Facebook, Twitter, YouTube and **Grass Valley - A Belden Brand** on LinkedIn.



Belden, Belden Sending All The Right Signals and the Belden logo are trademarks or registered trademarks of Belden Inc. or its affiliated companies in the United States and other jurisdictions. Grass Valley is a trademark or registered trademark of Grass Valley. Belden Inc., Grass Valley and other parties may also have trademark rights in other terms used herein. Copyright © 2014, 2016 Grass Valley Canada. All rights reserved. Specifications subject to change without notice.