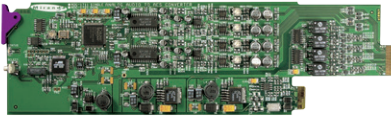
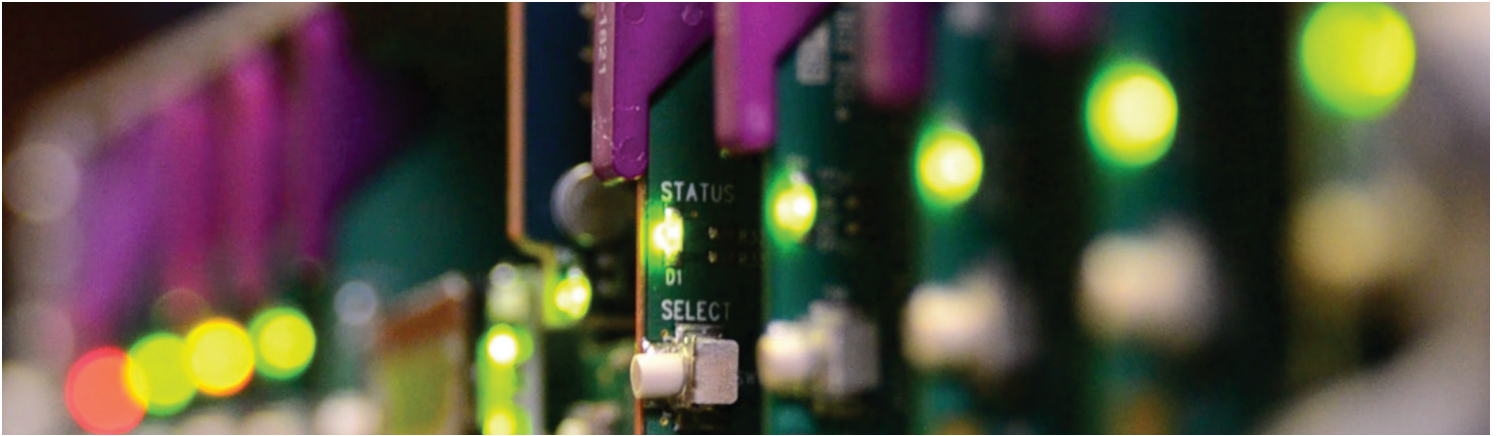


# ADC-1722

Dual Analog Audio to AES Converter



Space-saving, modular platform for advanced signal processing.

The ADC-1722 from Grass Valley, a Belden Brand, is a high quality, 24-bit, analog to digital audio converter which allows conversion of two stereo analog audio channel into two AES type digital signals.

Sampling rates can be set to 32, 48 or 96 kHz by an internal clock or an external reference signal. An internal digital EBU tone generator facilitates alignment of audio levels.

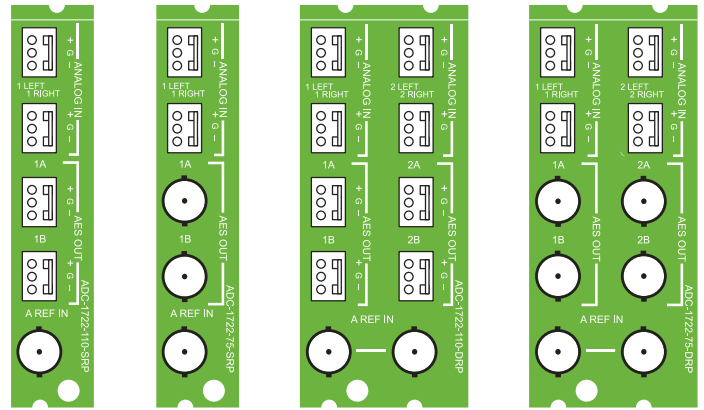
User-defined channel identification data may be encoded in the AES status bits. An input audio signal status is also available indicating input signal silence or overload. The ADC-1722 is compatible with both AES3 and AES-3id digital audio standards.



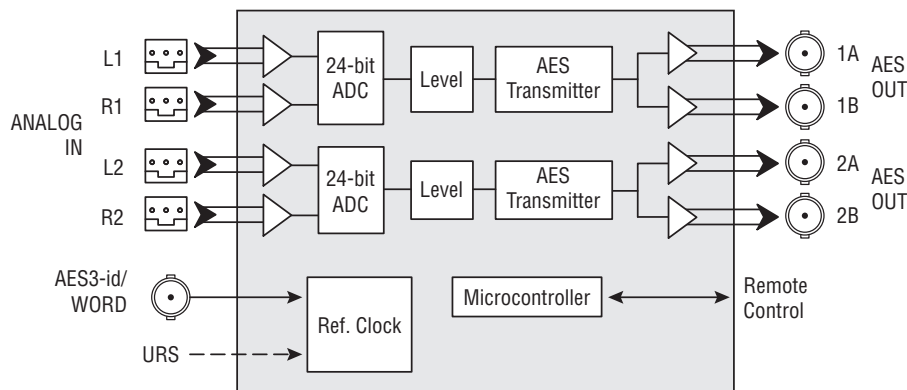
# ADC-1722 Dual Analog Audio to AES Converter

## KEY FEATURES

- Single or dual stereo channel use (select proper rear)
- 1 external reference input (Word Clock or AES3-id DARS)
- 2 AES outputs per stereo channel
- Balanced AES3 or unbalanced AES3-id outputs
- 24-bit A to D conversion (16, 20 or 24 bits output word length)
- 32, 48 and 96 kHz sampling rates
- -96 to +12 dB of gain adjustment (by 0.5 dB steps)
- 0 dBFS programmable analog (0 to +28 dBu, 1 dB steps) level mapping
- Internal EBU tone generator
- Adjustable silence detection threshold
- Overload detection and reporting



ADC-1722-110-SRP    ADC-1722-75-SRP    ADC-1722-110-DRP    ADC-1722-75-DRP



ADC-1722 Functional Block Diagram

## SPECIFICATIONS

Inputs	Outputs	Processing Performance	Miscellaneous
<b>Signal:</b> Balanced analog stereo audio <b>Impedance:</b> >12kΩ <b>Reference:</b> Word Clock or AES-3id <b>Impedance:</b> 75Ω	<b>AES3:</b> Level: 4 Vp-p Impedance: 110Ω balanced Jitter: 0.011 UI peak (50 Hz to 100 kHz) <b>AES-3id (SMPTE 276M):</b> Level: 1.0 Vp-p Impedance: 75Ω unbalanced Jitter: 0.011 UI peak (50 Hz to 100 kHz)	<b>Quantization:</b> 24 bits <b>Sampling:</b> 32, 48, 96 kHz <b>SNR:</b> >113 dB (a weighted) <b>0 dBFS:</b> 0 to +28 dBu (1 dB step) <b>Distortion:</b> < -100 dB (0.001 %) <b>Crosstalk:</b> < -100 dB (20 Hz to 20 kHz) <b>Freq. response:</b> ±0.1 dB (20 Hz to 20 kHz) <b>Latency:</b> 810 μs at 48 kHz <b>Tone generator:</b> -18 dBFS 1 kHz sine wave interrupted on left channel (250 ms/3s) EBU R49	<b>Signal presence threshold:</b> From -72 to -54 dBFS (6 dB steps) <b>Silence detect delay:</b> From 0 to 255s (1s steps) <b>Electrical</b> <b>Power:</b> 5W



## ORDERING

Densité 2 Frame	Densité 3 Frame	Description	Remote Control
ADC-1722	ADC-1722-3RU	Dual analog audio to AES converter	iControl, iControl Solo, RCP-200
ADC-1722-75-SRP	ADC-1722-75-SRP-3RU	Single rear connector panel, 75Ω	
ADC-1722-110-SRP	ADC-1722-110-SRP-3RU	Single rear connector panel, 110Ω	
ADC-1722-75-DRP	ADC-1722-75-DRP-3RU	Double rear connector panel, 75Ω	
ADC-1722-110-DRP	ADC-1722-110-DRP-3RU	Double rear connector panel, 110Ω	



GVB-1-0334B-EN-DS

WWW.GRASSVALLEY.COM

Join the Conversation at **GrassValleyLive** on Facebook, Twitter, YouTube and **Grass Valley - A Belden Brand** on LinkedIn.



Belden, Belden Sending All The Right Signals and the Belden logo are trademarks or registered trademarks of Belden Inc. or its affiliated companies in the United States and other jurisdictions. Grass Valley, Densité and iControl are trademarks or registered trademarks of Grass Valley, Belden Inc., Grass Valley and other parties may also have trademark rights in other terms used herein.

Copyright © 2014, 2016 Grass Valley Canada. All rights reserved. Specifications subject to change without notice.