

IQADA01

Analog Audio Distribution Amplifier – 2x7 Outputs

With up to 14 balanced outputs, the IQADA01 is an ideal stereo distribution amplifier for large analog audio applications.

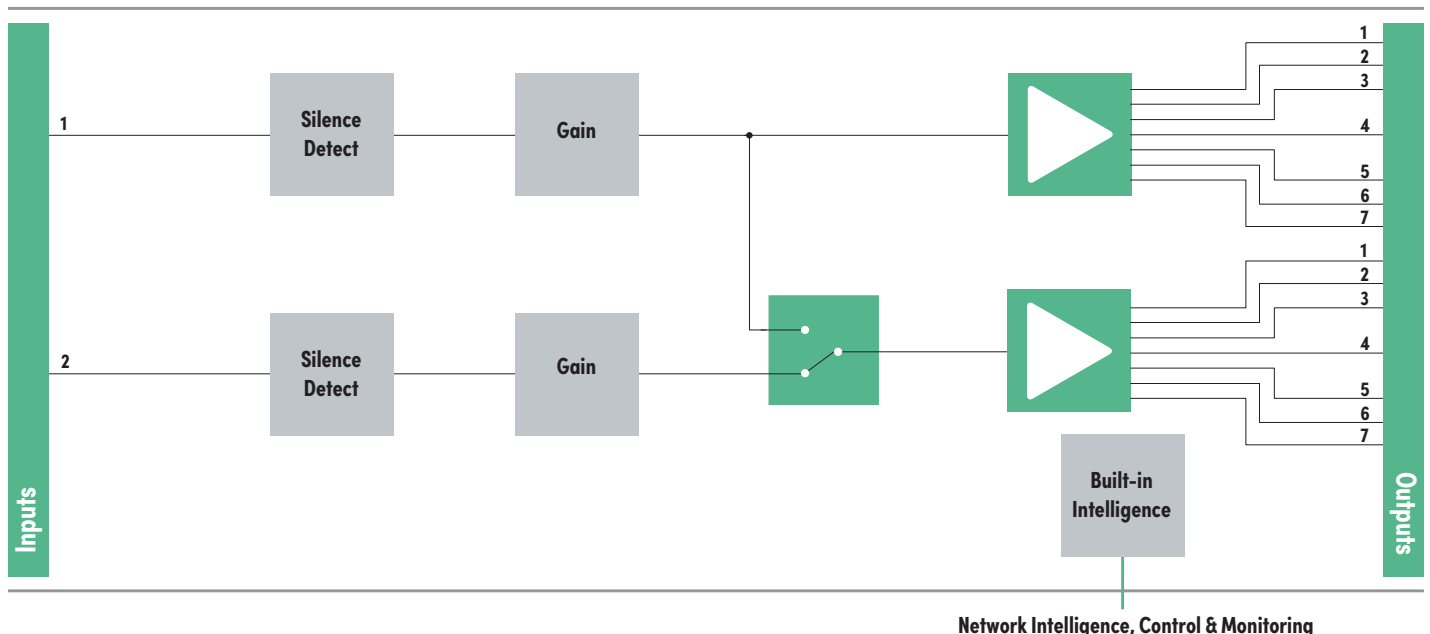
The IQADA01 from Grass Valley provides dual analog inputs with up to seven outputs per input, or a single analog input with up to 14 outputs.

Why should you choose this module?

- Ideal stereo distribution amplifier for large analog audio applications
- Maintenance of audio quality ensured by very low THD+N and 24 dBu input headroom
- Up to 14 balanced transformerless outputs

Key Features

- Configurable for one input to 14 outputs, or two inputs to seven outputs per input
- Very low THD+N
- Output gain remotely adjustable from +24 dB to -24 dB with fine control
- +24 dBu headroom



Block Diagram for IQADA0110-1A

Network Intelligence, Control & Monitoring

Specifications

Inputs and Outputs

Signal Inputs

Analog: 2 channels balanced via 25-way D-type connector

Signal Outputs

Analog: 7 per input channel balanced via 25-way D-type connector

Note: Configurable for 1 input to 14 output operation

Card Edge and Remote Controls

Indicators

Power up or CPU fault: Good = Off/Fault = Red

CPU running but input 1 not detected (both inputs or primary input when in single channel mode): Input detected = Off/Not Detected = Yellow

CPU running but input 2 not detected (both inputs or primary input when in single channel mode): Input detected = Off/Not detected = Yellow

Normal operation with input detected (either input or primary input when in single channel mode): Input not detected = Off/Input detected = Green

Controls

Mode: Single, dual channel

Fine gain adjustment: ± 0.5 dB additional to the coarse gain level, separately adjustable for each input

Remote Control Functions

Gain (separate L and R): +24 dB to -24 dB in 0.5 dB steps

Silence detect: Level adjustable, -15 to -25 dBu in 1 dB steps

Warning timer: 1 to 60s (for silence detection)

Logging

Input x State: OK, WARN Silence (L and R)

RollTrack controls: On/Off, Index, Source, Address, Command, Status, Sending

RollTrack:

- Unused
- Input 1 Present
- Input 1 Silent
- Input 2 Present
- Input 2 Silent

General Specifications

Analog input/output level: Headroom set to: +24 dBu (17.5 V_{p-p}) gain at unity

Analog input impedance: 10 k Ω (600 Ω option)

Analog output impedance: Balanced <50 Ω

Total harmonic distortion: + noise: <-94 dBu (0.002%) at 700 Hz, 24 dBu input and 0 dB gain

Gain accuracy: ± 0.2 dB @ 0 dB

Gain error (channel 1 to channel 2): ± 0.2 dB @ 0 dB

Common mode rejection: <-70 dB (20 Hz to 20 kHz)

Frequency response: ± 0.1 dB (20 Hz to 20 kHz with reference to 1 kHz)

Channel 1 to 2 cross talk: <-110 dB at 1 kHz

Headroom (in and out): 24 dBu (Note: a maximum of 3 outputs can be driven at 24 dBu when using 600 Ω terminations)

Power Consumption

Module power consumption:

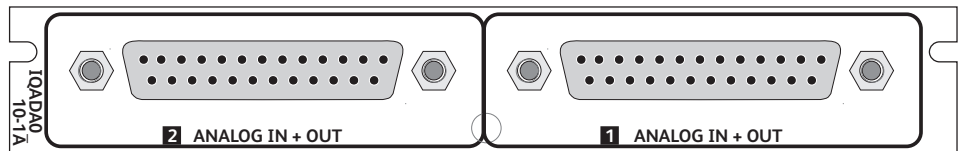
- 6.5W Max (A Frames)
- 4.5 PR (B Frames)

Ordering

IQADA0110-1A

Single/dual-channel analog DA. Balanced D-type audio connections. Configurable for 1 input to 14 outputs or 2 inputs to 7 outputs per input.

For more details on enclosure types please refer to the IQ Modular Enclosures datasheet.



This product may be protected by one or more patents. For further information, please visit: www.grassvalley.com/patents

DS-PUB-3-0834A-EN

Grass Valley®, GV® and the Grass Valley logo are trademarks or registered trademarks of Grass Valley USA, LLC, or its affiliated companies in the United States and other jurisdictions. Grass Valley products listed above are trademarks or registered trademarks of Grass Valley USA, LLC or its affiliated companies, and other parties may also have trademark rights in other terms used herein. Copyright © 2021 Grass Valley Canada. All rights reserved. Specifications subject to change without notice.

www.grassvalley.com Join the Conversation at GrassValleyLive on [Facebook](#), [Twitter](#), [YouTube](#) and Grass Valley on [LinkedIn](#)