

IQSDA32

3G/HD/SD-SDI Re-clocking Distribution Amplifier with Remote Control

Provides seven equalized and re-clocked outputs of the input in a single width package.

The IQSDA32 from Grass Valley is a distribution amplifier for HD-SDI 3 Gb/s, 1.5 Gb/s or 270 Mb/s SD-SDI signals providing seven equalized and re-clocked outputs of the input in a single width package. Its 80m 3G, 180m HD input equalization performance and non-re-clocking distribution of wide-band signals make it ideal for all distribution applications.

Why should you choose this module?

- Space efficient design with seven outputs of the input in single width, allowing 16 modules in a 3 RU or four in a 1 RU enclosure
- Useful for critical installation thanks to outstanding input equalization capability
- Operation at SMPTE ST 424 data rates allows future proof system design
- Emergency input to output bypass option allows added protection for critical signal paths or 24/7 operations
- Full GV Orbit compatibility provides an all-inclusive remote configuration, control and monitoring solution
- Comprehensive SNMP support allows easy integration with third-party Network Management Systems

KEY FEATURES

- Intelligent 3 Gb/s SDI, HD-SDI and SD-SDI re-clocking distribution amplifier
- Will distribute DVB-ASI and other wide-band signals
- Equalizes up to 80m at 3 Gb/s, 180m at 1.5 Gb/s and more than 350m at 270 Mb/s when using Belden 1694A cable
- Standards supported:
 - 3G-HD to SMPTE ST 424
 - HD-SDI to SMPTE ST 292
 - SD-SDI to SMPTE ST 259-C
 - DVB-ASI
- Emergency input bypass option enables the SDI input signal to be passed through to SDI output 2 in the event of frame power failure or module removal
- GV Orbit control and monitoring compatible

SPECIFICATIONS

Inputs and Outputs

Signal Input

SDI input: 1 x
 Input cable length:
 Up to 80m Belden 1694A @ 3 Gb/s
 Up to 180m Belden 1694A @ 1.5 Gb/s
 >350m Belden 1694A @ 270 Mb/s

Signal Outputs

SDI outputs: x7 (1, 3, 5, 7 DVB-ASI compatible)

Controls

Indicators
 Power: OK (Green)
 CPU: OK (Green flashing)
 Input: OK (Green), Bypass (Orange), Loss (Red)

Remote Control Functions

Input select: Auto, 3G, HD, SD, DVB-ASI, Bypass (reclocking off)
 Input status: Present, loss/unknown, data rate
 Logging:
 Input type
 Input data rate
 Input present
 Input error
 Input loss
 RollTrack controls: On/off, index, source, address, command, status, sending
 RollTrack outputs:
 Unused
 Input present
 Input rate unknown
 Input loss
 Input 3G
 Input HD
 Input SD

Other Controls

User memories: Name, save and recall 16 user memories

General Specifications

Electrical:
 3 Gb/s SDI, SMPTE ST 424
 1.5 Gb/s HD-SDI, SMPTE ST 292
 270 Mb/s SDI, SMPTE ST 259-C/DVB-ASI
 Connector/format: BNC/75Ω panel jack on standard Grass Valley connector panel
 Return loss: >-15 dB (270 Mb/s, 1.5 Gb/s) >-10 dB (3 Gb/s)
 Output jitter: SD-SDI 0.2 UI (10 Hz) / 0.2 UI (1 kHz), 3G/HD-SDI 1.0 UI (10 Hz) / 0.2 UI (100 kHz)

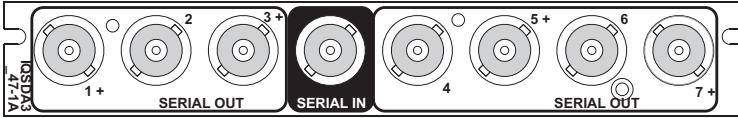
Power Consumption

Module power consumption:
 3 W max (A frames)
 3 PR (B frames)
 With relay rear: 3.5W max.

ORDERING

IQSDA3247-1A3, IQSDA3247-1B3

3G/HD/SD-SDI Re-clocking Distribution Amplifier. 1 input, 7 outputs.

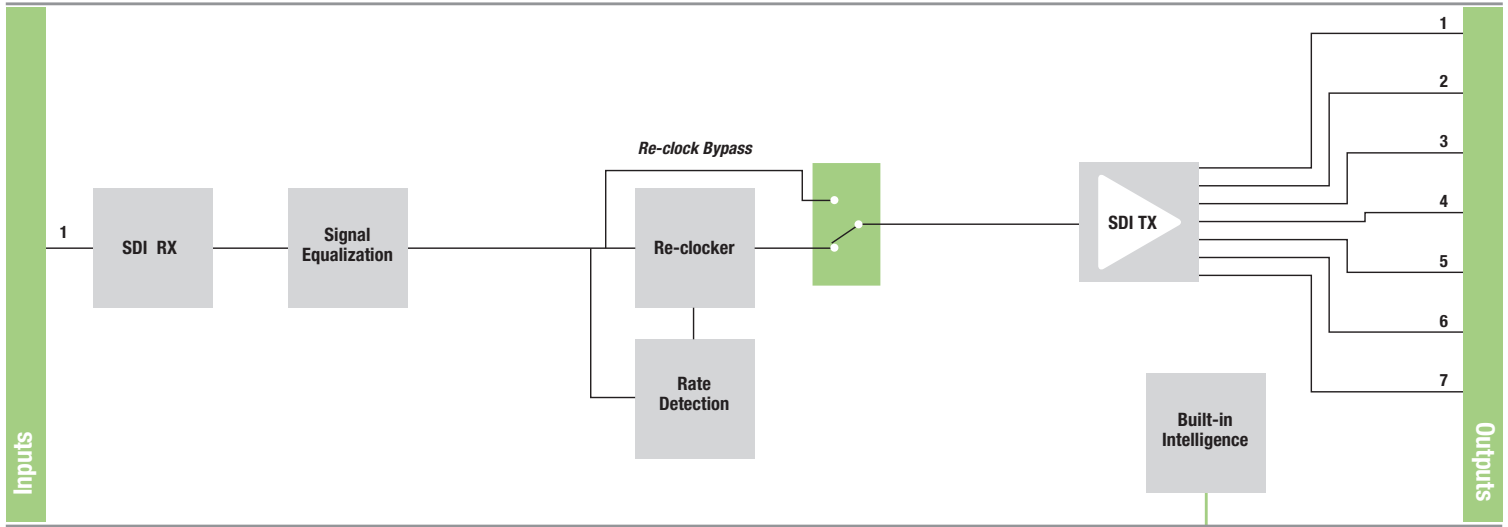


IQSDA3261-1A3, IQSDA3261-1B3

3G/HD/SD-SDI Re-clocking Distribution Amplifier with Relay Bypass. 1 input, 6 outputs.



For more details on enclosure types please refer to the IQ Modular Enclosures datasheet.



Block Diagram for IQSDA3247-1B3

Network Intelligence, Control & Monitoring



WWW.GRASSVALLEY.COM

Join the Conversation at **GrassValleyLive** on Facebook, Twitter, YouTube and **Grass Valley** on LinkedIn.



www.grassvalley.com/blog

This product may be protected by one or more patents. For further information, please visit: www.grassvalley.com/patents.

Grass Valley®, GV® and the Grass Valley logo are trademarks or registered trademarks of Grass Valley USA, LLC, or its affiliated companies in the United States and other jurisdictions. Grass Valley products listed above are trademarks or registered trademarks of Grass Valley USA, LLC or its affiliated companies, and other parties may also have trademark rights in other terms used herein.

Copyright © 2019-2021 Grass Valley Canada. All rights reserved. Specifications subject to change without notice.