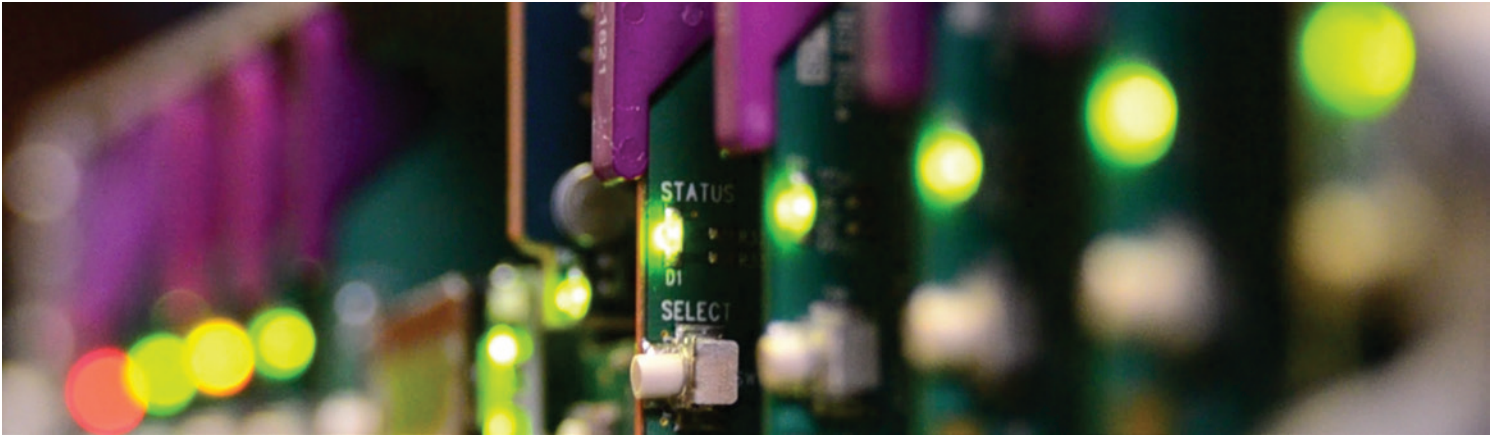


SDA-1402

ASI Distribution Amplifier with EQ and Reclocking

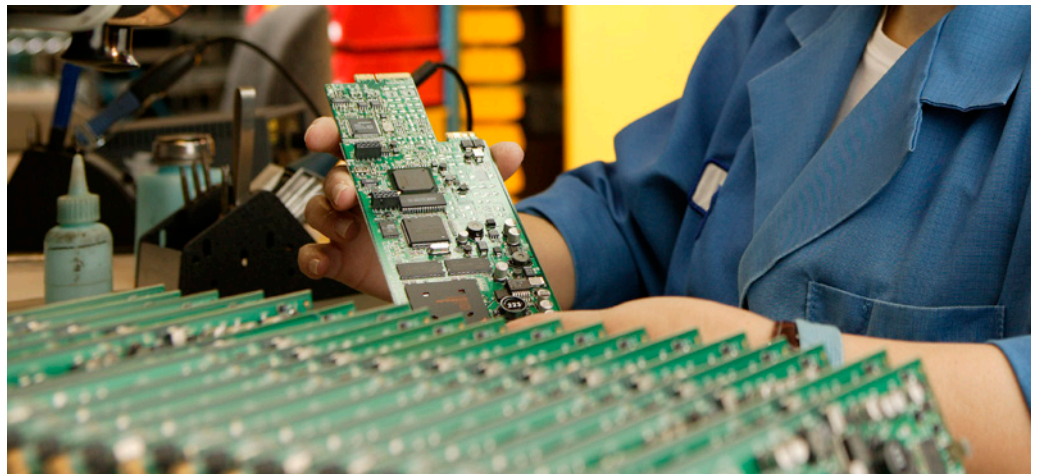


Space-saving, modular platform for advanced signal processing.

The SDA-1402 from Grass Valley, a Belden Brand, is an ASI distribution amplifier that provides up to nine reclocked outputs with automatic equalization for up to 350 meters (1,148 feet) of cable (Belden 1694A).

The amplifier offers signal presence detection, remote reporting and includes reclocking — providing an additional level of signal integrity in long cable length applications.

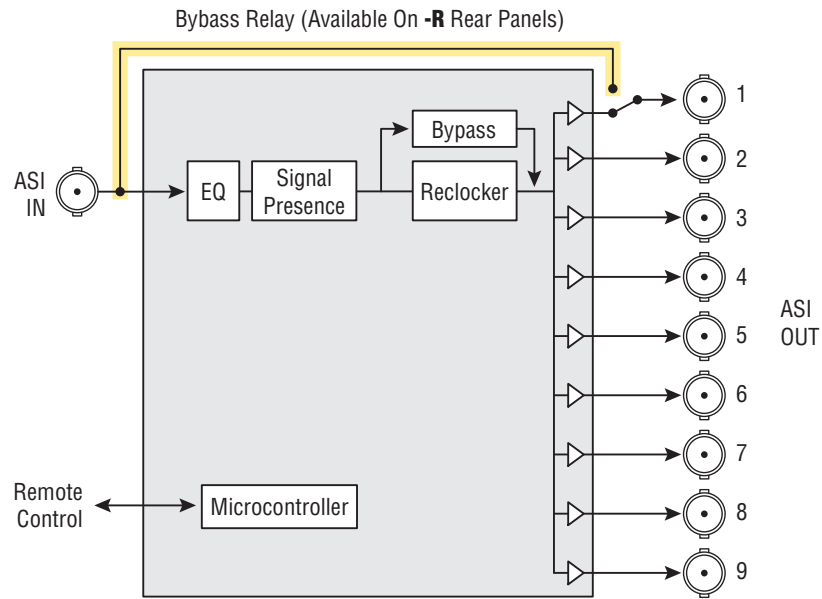
The SDA-1402 also supports other compressed formats such as SMPTE-310M/DVB-SSI.



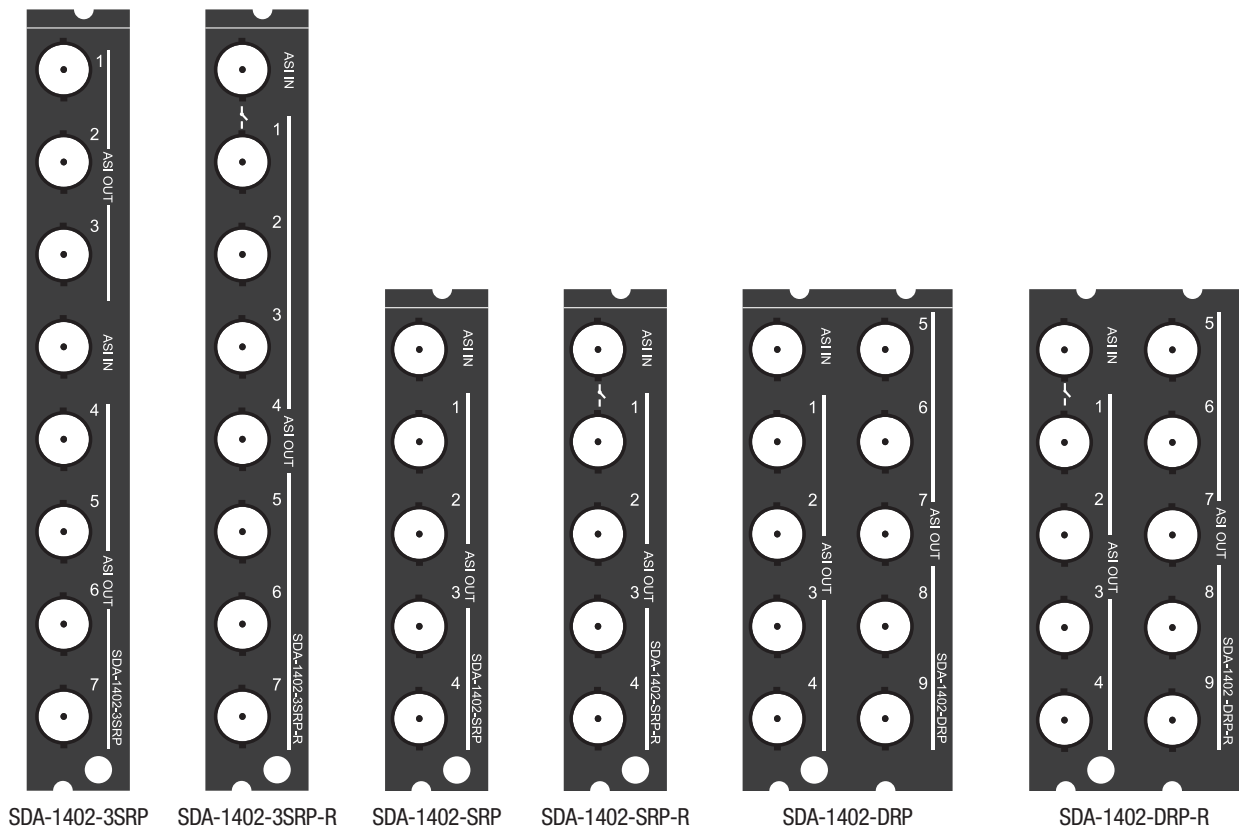
SDA-1402 ASI Distribution Amplifier with EQ and Reclocking

KEY FEATURES

- DVB-ASI input
- Up to 9 DVB-ASI outputs
- Automatic format detection and cable equalization
- Optional bypass relay protection
- DVB-ASI and SMPTE-310M/DVB-SSI formats supported
- Bitrate of 270 Mb/s
- Status LED and alarm reporting



SDA-1402 Functional Block Diagram



SDA-1402 ASI Distribution Amplifier with EQ and Reclocking

SPECIFICATIONS

Input

Signal:

SMPTE-259M-C (270 Mb/s)
EN 50083-9 DVB-ASI (270 Mb/s)
DVB-SSI/SMPTE-310M

Cable length:

350m (1,148 ft.) at 270 Mb/s (Belden 1694A or equivalent)
275m (902 ft.) with bypass relay rears at 270 Mb/s (Belden 1694A or equivalent)

Return loss: >15 dB up to 270 MHz

Outputs

Signal (4/7/9):

SMPTE-259M-C (270 Mb/s)
EN 50083-9 DVB-ASI (270 Mb/s)
DVB-SSI/SMPTE-310M

Cable Length:

350m (1,148 ft.) at 270 Mb/s (Belden 1694A or equivalent)
275m (902 ft.) for OUT1 with bypass relay rears at 270 Mb/s (Belden 1694A or equivalent)

Return loss: >15 dB up to 270 MHz

Jitter: <0.2 UI p-p (wideband)

Processing Performance

Signal path: 10 bits

Latency: 10 ns

Electrical

Power: 5W

ORDERING

Densité 2 frame

SDA-1402
SDA-1402-SRP
SDA-1402-SRP-R
SDA-1402-DRP
SDA-1402-DRP-R

Densité 3 frame

SDA-1402-DRP-3RU
SDA-1402-DRP-R-3RU
SDA-1402-3SRP
SDA-1402-3SRP-R

Description

ASI DA with EQ and reclocking
Single rear connector panel with 4 outs
Single rear connector panel with bypass protection relay with 4 outs
Double rear connector panel
Double rear connector panel with bypass protection relay
Single rear connector panel with 7 outs
Single rear connector panel with bypass protection relay with 7 outs

Remote control

iControl, iControl Solo, RCP-200 (For full list of supported cards, see the RCP-200 webpage at www.grassvalley.com/products/rcp-200)

GVB-1-0409A-EN-DS



WWW.GRASSVALLEY.COM

Join the Conversation at [GrassValleyLive](#) on Facebook, Twitter, YouTube and [Grass Valley - A Belden Brand](#) on LinkedIn.



Belden, Belden Sending All The Right Signals and the Belden logo are trademarks or registered trademarks of Belden Inc. or its affiliated companies in the United States and other jurisdictions. Grass Valley, Densité and iControl are trademarks or registered trademarks of Grass Valley, Belden Inc., Grass Valley and other parties may also have trademark rights in other terms used herein.

Copyright © 2014 Grass Valley. All rights reserved. Specifications subject to change without notice.