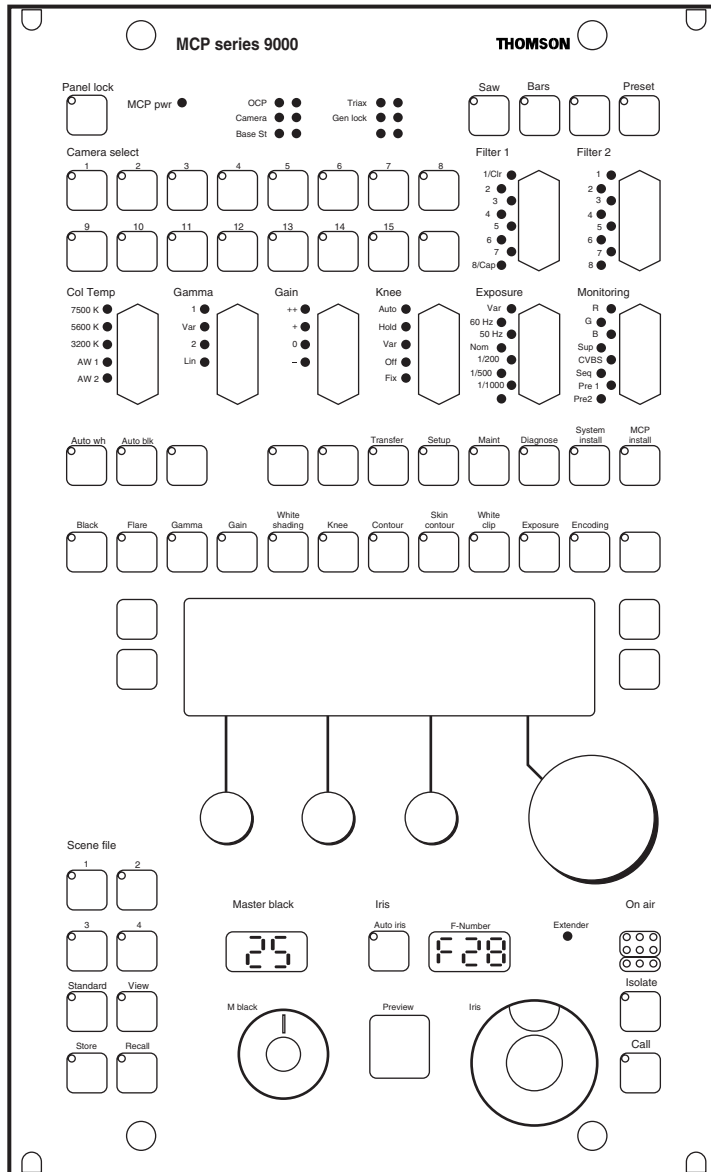

LDK 4609 Master Control Panel Operator's Manual

Contents

| | | | |
|---|----|--|----|
| Introduction | 2 | LCD Management Menus for LDK 10 | 23 |
| Top Section | 4 | LCD Function Control Menus for LDK 10P | 24 |
| Middle - Top Section | 6 | LCD Management Menus for LDK 10P | 25 |
| Middle - Bottom Section | 8 | LCD Function Control Menus for LDK 20P | 26 |
| Bottom Section | 10 | LCD Management Menus for LDK 20P | 27 |
| LCD Function Control Menus for LDK 9 | 12 | LCD Function Control Menus for LDK 23HS and LDK 23HS mkII | 29 |
| LCD Management Menus for LDK 9 | 13 | LCD Management Menus for LDK 23HS and LDK 23HS mkII | 30 |
| LCD Function Control Menus for LDK 9P | 14 | LCD Function Control Menus for LDK 100 | 32 |
| LCD Management Menus for LDK 9P | 15 | LCD Management Menus for LDK 100 | 33 |
| LCD Function Control Menus for LDK 910 | 16 | LCD Function Control Menus for LDK 200 | 35 |
| LCD Management Menus for LDK 910 | 17 | LCD Management Menus for LDK 200 | 36 |
| LCD Function Control Menus for LDK 91 | 18 | LCD Function Control Menus for LDK 6000 | 38 |
| LCD Management Menus for LDK 91 | 19 | LCD Management Menus for LDK 6000 | 39 |
| LCD Function Control Menus for LDK 9000 | 20 | File Functions | 41 |
| LCD Management Menus for LDK 9000 | 21 | | |
| LCD Function Control Menus for LDK 10 | 22 | | |



Contents

This guide lists the switches, indicators and controls on the master control panel (MCP) and describes their function. It also describes how the menu system shown on the liquid crystal display (LCD) screen and the associated controls operate. The rear of this guide contains tables listing the contents of the menus for each of the different types of camera.

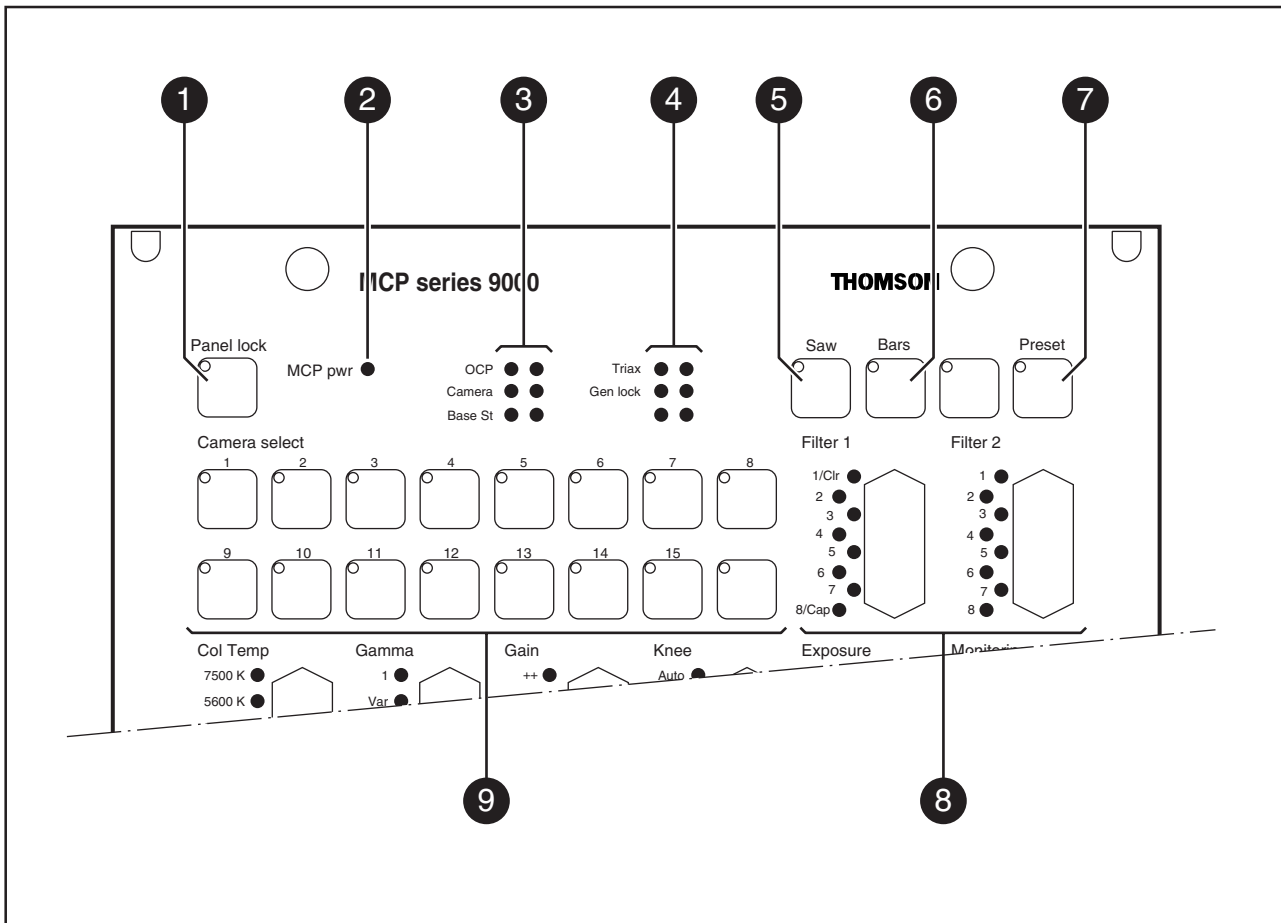
The functions available on the MCP are dependent on the type of the selected camera. For example, the filterwheel position can be selected on the MCP for the LDK 9 camera head but not for the LDK 91. The examples shown on the following pages apply to an LDK 20P camera with the latest system software. Some of the functions shown may not be available on the selected camera.

Switching On

The MCP switches on automatically when power is applied. The LCD screen displays the version number of the software present in the MCP. If no camera is selected the message "PLEASE SELECT CAMERA" is displayed. When a camera is selected the camera type and number are displayed on the LCD screen. The menu switches may now be used to call-up pages of functions associated with the menu switch.

Installation

The installation manual provides information on mounting and connecting the MCP. However, to select the initial parameters for the MCP and for the camera system, menu switches for MCP Installation, System Installation, and Setup are provided.



Switches and Indicators

The switches on the master control panel (MCP) are touch activated membrane switches. Pressing the switch turns on the function. Pressing the switch again, turns the function off. A LED in the corner of the switch lights when the function is switched on.

Eight switches of the MCP operate as rocker type switches. Pressing the top half of the switch selects the listed items in ascending order. Pressing the lower half of the switch selects the listed items in descending order. A LED lights to indicate the selected item. The intensity of all the LEDs on the panel can be adjusted using the MCP INSTALL menu.

1 Panel Lock Switch

A two-way switch to select panel lock on or off. The LED lights when panel is locked (on).

When off, all functions of the MCP can be used.

When on, limited control or no control is available.

(The file functions which can be controlled when the function is on are determined by the selection made in the MCP INSTALL menu.)

2 MCP Power Indicator

This indicator lights when power is applied to show that the MCP is receiving power.

3 Status Indicators

These indicators light to show the status of the following functions:

OCP

- Green LED - OCP connection OK
- Red LED - OCP - no connection

Camera

- Green LED - Camera connection OK
- Red LED - Camera - no connection

Base Station

- Green LED - Base Station connection OK
- Red LED - Base Station - no connection

4 Lock Status Indicators

These indicators light to show the status of the following functions:

Triax

| | |
|------------------|--|
| Green LED | - Triax connection OK |
| Red LED Flashing | - Triax - no connection |
| Red LED | - Triax cable short circuit or cable power error |

Gen lock

| | |
|-----------|------------------------------|
| Green LED | - Pulse generator locked |
| Red LED | - Pulse generator not locked |

5 Test Sawtooth Switch

The Saw switch is used to switch the test sawtooth signal on and off. The LED in the switch lights when the test sawtooth signal is switched on.

6 Colour Bars Switch

The Bars switch is used to switch the colour bar test signal on and off. The LED in the switch lights when the colour bars are switched on.

7 Preset Switch

The preset switch is used for pre-programmed filter wheel positions.

When pressed for the first time and released within one second, the pre-programmed positions for filter wheel 1 and 2 are recalled. The LED in the switch lights when the preset is pressed.

When pressed for the second time and released within one second, the previous positions of filter wheel 1 and 2 are recalled. The LED in the switch is no longer lit.

When pressed for more than two seconds, the current positions of filter wheel 1 and 2 are stored as the preset values. The LED lights and a buzzer indicates that programming was successful.

8 Filter Selection Switches

These rocker switches each allow a choice of eight different optical filters for two filter wheels. Only those filter wheel positions which are applicable to the selected camera type are available.

The LED of the selected filter flashes until the filter is in place. It then lights continuously.

9 Camera Selection Switches

These switches assign the MCP to a particular camera in a multicamera environment. The number of the switch corresponds to the number set in the base station of the camera to be controlled. The selected camera number is displayed on the LCD screen during menu operations.

Common Control

The sixteenth switch of the camera selection switches is the common control switch. In the common control mode several selected cameras can be controlled simultaneously.

When the common control switch is pressed the common control mode is selected. The LED in the common control switch lights to indicate that the common control mode is active. Other cameras can now be added to the assigned camera by pressing the appropriate camera selection switch to form a common control group. Pressing the camera selection switch again removes the camera from the common control group. The original assigned camera cannot be deselected.

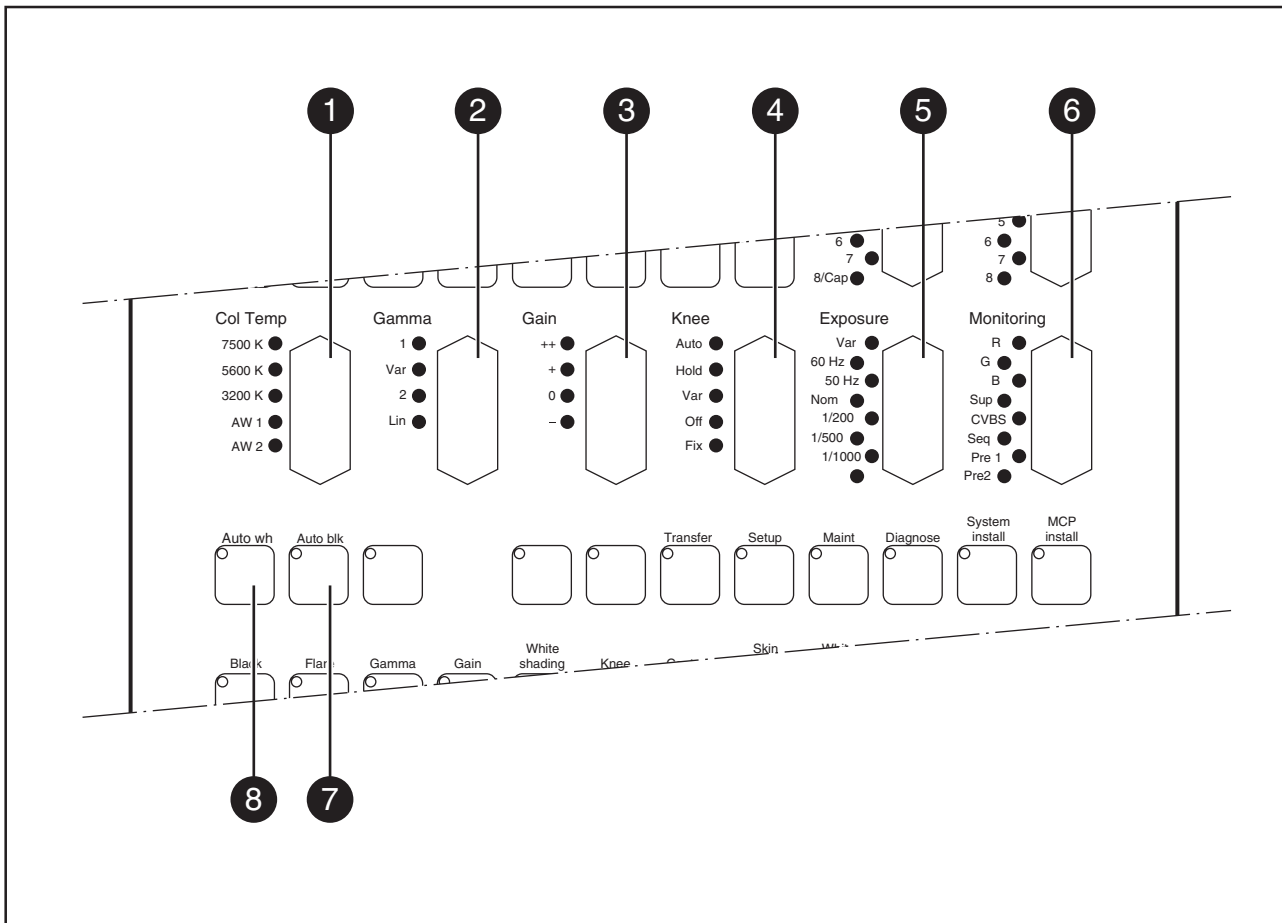
In the common control mode the following functions can be controlled:

- Gain Control (red, green and blue)
- Black Control (red, green and blue)
- Master Gamma
- Colour Bar Switch
- Matrix Select
- Gamma Select
- Letter Box Switch
- Auto Iris Switch
- Master black
- Iris
- Aspect ratio

Other functions are not available in this mode.

When the common control switch is pressed again the common control mode is switched off and all cameras, with the exception of the originally selected camera, are deselected. All MCP functions are again available.

Middle - Top Section



1 Colour Temperature Switch

The 5-position colour temperature rocker switch gives a choice between three preset colour temperatures:

- 3200K (3.2K)
- 5600K (5.6K)
- 7500K (7.5K)

and two colour temperature memory settings AW1 and AW2. The automatic white switch (8) is used to store values in the AW1 and AW2 memories.

2 Gamma Selection Switch

This rocker switch allows a choice between the following:

- Gamma 1
- Variable gamma
- Gamma 2
- Linear gamma

The availability of these functions is dependent on the type of camera selected.

3 Gain Selection Switch

This rocker switch allows a choice of four different master gain settings in the video channels:

| Switch Position | Gain (camera dependent) |
|-----------------|-------------------------|
| - | -3dB |
| 0 | 0dB |
| + | +6dB |
| ++ | +12dB |

4 Knee Selection Switch

This rocker switch allows a choice between the following:

- Auto - Automatic knee
- Hold - Knee on hold (LDK 9000 only)
- Var - Variable knee
- Off - Knee switched off
- Fix - Knee function fixed

The availability of these functions is dependent on the type of camera selected.

5 Exposure Time Selection Switch

This rocker switch allows a choice between the following:

| | |
|--------|-------------------------------|
| Var | - Variable |
| 60 Hz | - 60 Hz lighting |
| 50 Hz | - 50 Hz lighting |
| Nom | - nominal exposure time |
| 1/200 | - 1/200 second exposure time |
| 1/500 | - 1/500 second exposure time |
| 1/1000 | - 1/1000 second exposure time |

When shooting with fluorescent or HMI lighting, select either 50 Hz or 60 Hz whichever corresponds to the supply frequency of the lighting. The availability of these functions is dependent on the type of camera selected.

6 Monitoring Selection Switch

This rocker switch is used to select one of eight monitoring output signals available from the base station for display on the picture monitor and the waveform monitor.

| | <u>PXM Output</u> | <u>WFM Output</u> |
|-------|-------------------|--------------------|
| R | R | R |
| G | G | G |
| B | B | B |
| SUP. | CVBS | R/G/B Superimposed |
| CVBS | CVBS | CVBS |
| SEQ. | CVBS | R/G/B Sequential |
| Pre 1 | User defined | User defined |
| Pre 2 | User defined | User defined |

The preset 1 and 2 output signals are selected on the MCP INSTALL menu. The availability of these functions is dependent on the type of camera selected.

7 Automatic Black Switch

The Auto blk. switch sets the black level of the R, G and B black level controls to a standard setting. The LED lights when the standard levels are set.

8 Automatic White Switch

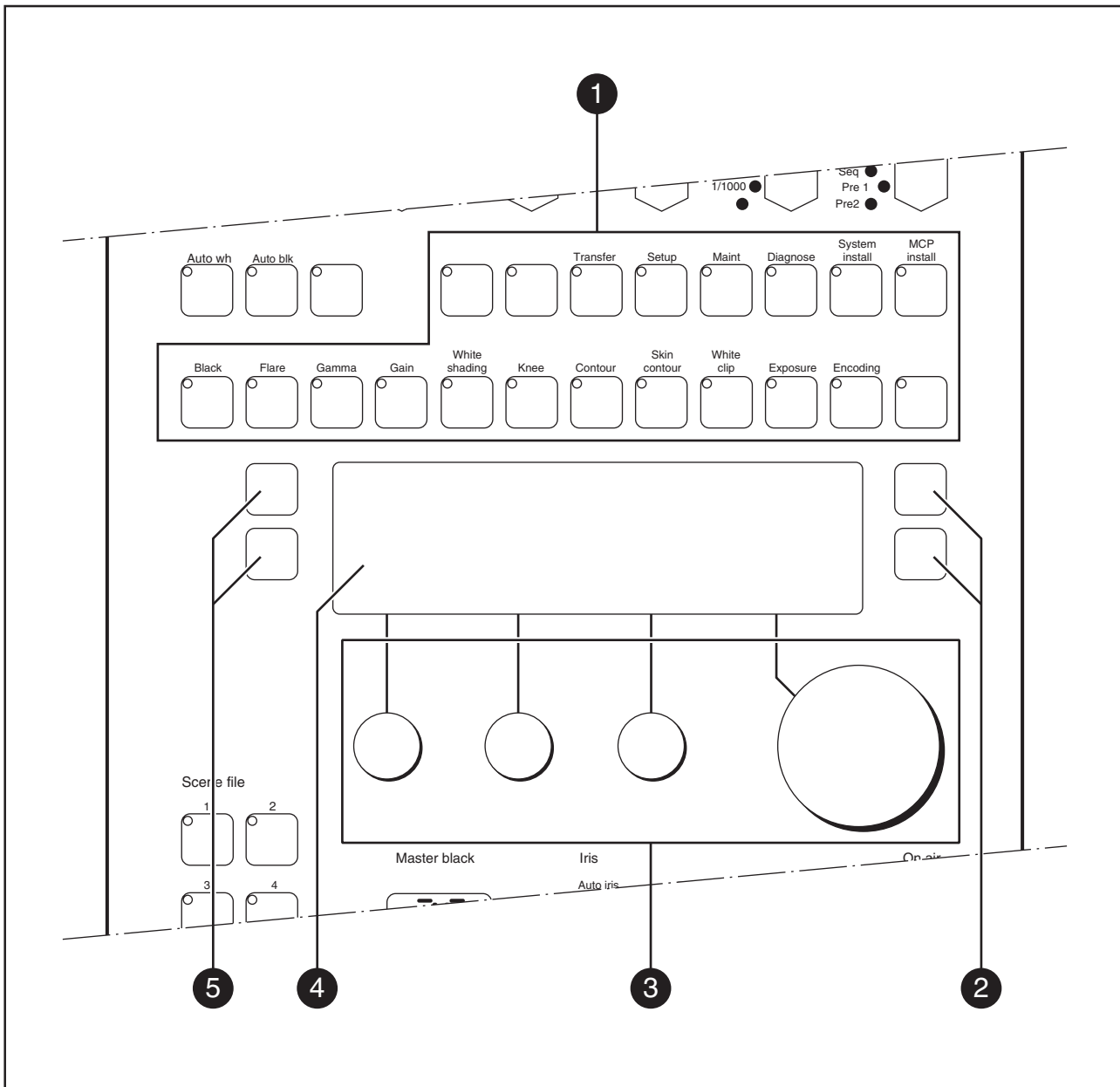
The Auto Wh. switch is used to start the automatic white balance process. The camera measures a white area in the middle of the picture and stores a colour temperature setting in the AW1 or AW2 memory position. The Auto Wh. switch only operates if the colour temperature switch is in a preset position (AW1 or AW2) and the colour bars are switched off.

When the switch is pressed initially, a measurement window is displayed in the camera viewfinder. The LED in the switch lights. When the colour bars is selected the auto white process is stopped. When the switch is pressed a second time the measurement process starts. The LED in the Auto Wh. switch and the AW1 or AW2 LED flashes.

If the measurement is successful, the LED in the Auto Wh. switch and the measurement window are switched off. The AW1 or AW2 LED lights. The measured colour temperature is stored in the selected memory (AW1 or AW2).

If the measurement is unsuccessful, the LED in the Auto Wh. switch flashes for approximately 10 seconds. If the switch is pressed during the measurement process or at the end of an unsuccessful measurement, the value stored in AW1 or AW2 is reset and all control functions are enabled.

For the LDK 91/910, the auto white process starts as soon as the switch is pressed. It is not possible to stop or reset the auto white process and no indication is given of its success.



1 Menu Selection

Twenty mutually exclusive on/off switches are available for the selection of a menu on the LCD. The LED in the switch lights to indicate which menu is selected.

Five switches select either the Setup, Maintenance, Diagnostic, System installation or MCP installation menu. These menus are used for MCP management.

A sixth switch opens the Transfer menu. This menu allows the current camera's settings to be copied to the other cameras controlled by the MCP.

Eleven switches select an operational function for

variable control or switching. These functions are Black, Flare, Gamma, Gain, White shading, Knee, Contour, Skin contour, White clip, Exposure and Encoding.

There are three spare switches.

If a menu is not available for a particular type of camera the message `NOMENUFORTHISCAMERASYSTEM` is displayed. The functions contained in the various menus for the different cameras are listed in the tables at the rear of this guide.

2 Page Selection Switches

A menu can have more than one page of functions associated with it. These switches select the previous (top switch) or next (bottom switch) page of a menu where these are available. The names of the previous, current and next pages are displayed beside these switches on the LCD.

3 Rotary Controls

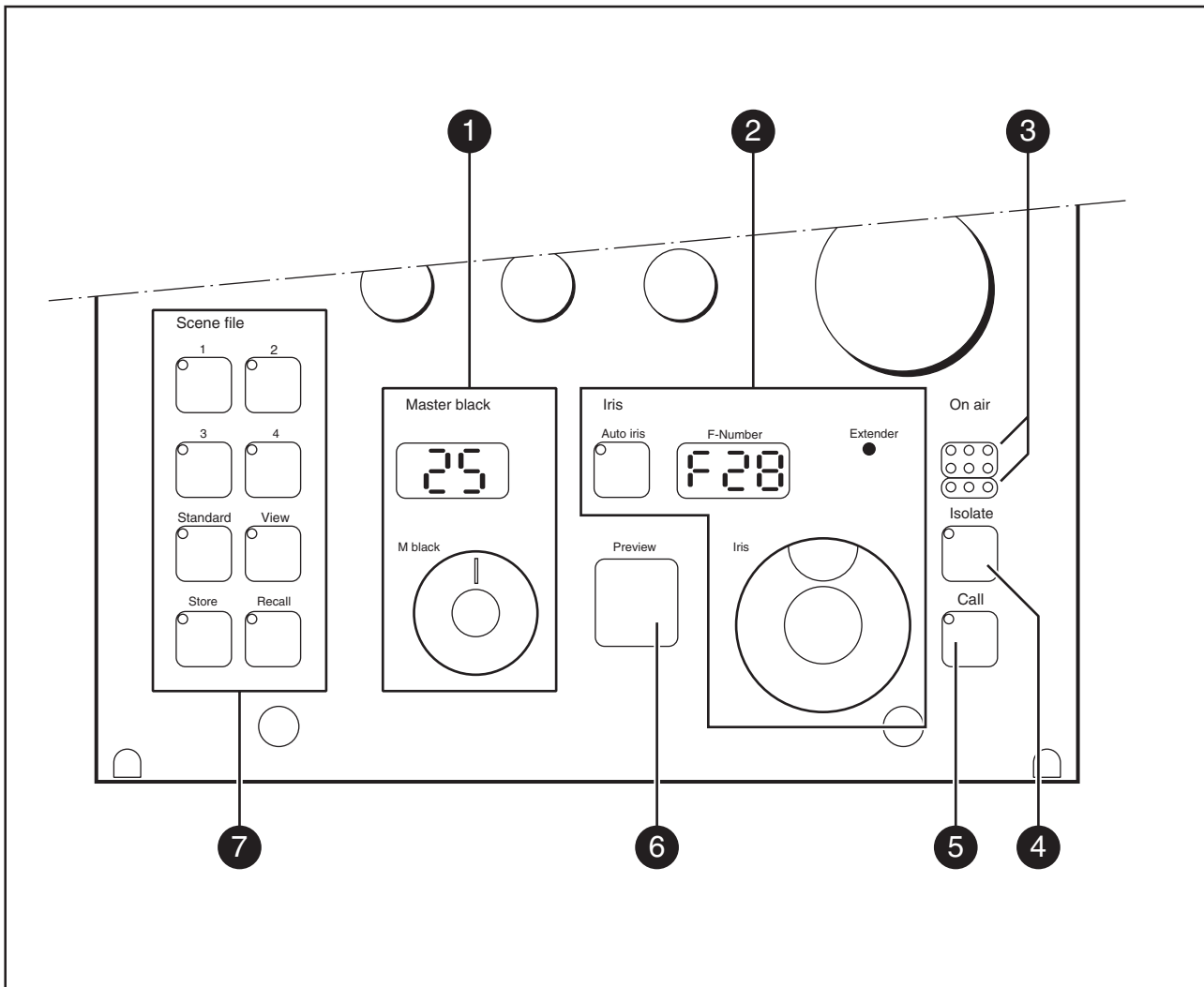
The four rotary control knobs are used to vary the values of the named functions displayed on the LCD. The value of the function is displayed below the name.

4 Liquid Crystal Display

The Liquid Crystal Display (LCD) displays text and values relevant to the selected menu function. The display is backlit. The brightness and contrast (viewing angle) of the display can be regulated in the MCP INSTALL menu.

5 Switch Function Selection Switches

These scroll switches select the previous (top switch) or next (bottom switch) state of the assignable switch function named in the centre of the LCD. The values of the previous, current and next states of the assignable switch function are displayed beside these switches on the LCD.



1 Master Black Control

This rotary control knob varies the master black level. The value of the master black level is shown in the display.

2 Iris Control

The rotary control knob varies the iris opening when the automatic iris is not on. The display shows the F-number of the iris.

Pressing the auto iris switch turns the automatic iris control system on. The LED in the switch lights to show that the automatic iris control system is in operation. Press the switch again to switch the function off.

Even when the automatic iris control system is activated, the rotary control knob can still be used to vary the iris opening by one stop in either direction.

The yellow extender LED lights to indicate that the range extender of the lens is switched on.

3 On-air Indicators

The red indicator lights to show that the signal from the connected camera is being broadcast.

The yellow indicator lights to show that the signal from the connected camera is being recorded.

4 Isolate Switch

This switch isolates the intercom system from the studio system for servicing purposes.

5 Call Switch

Pressing this switch sends a signal to the camera calling for attention. This indicator lights when the call switch is activated. A buzzer associated with this switch can be enabled on the MCP INSTALL menu.

6 Preview Switch

Pressing this switch allows the camera signal to be previewed on a preview monitor. The preview outputs on the preview connector follow the preview switch. This function is used when each camera is controlled by a separate MCP.

7 Scene File Selection and Storage

The scene file function is used for storing and recalling operational settings for the camera. A list of the functions saved in a scene file and the contents of the factory scene are given at the rear of this guide.

Four scene files can be stored in memory positions 1 to 4. A fifth memory position contains a file with predetermined standard settings. (See the back of this guide for a list of the standard settings.)

To create a scene file, set up the values for all the

functions on the MCP.

The MCP INSTALL menu is used to set the recall switch to DIRECT or RECALL.

When set to RECALL a scene file is stored as follows:

Select a memory position by pressing one of the switches marked 1 to 4 and press store.

When set to DIRECT a scene file is stored as follows:

Press store and select a memory position by pressing one of the switches marked 1 to 4.

When set to RECALL a scene file is recalled as follows:

Select a memory by pressing one of the switches marked 1 to 4 and press recall.

The values stored in this file are then restored and become the current settings on the MCP.

When set to DIRECT a scene file is recalled as follows:

Select a memory position by pressing one of the switches marked 1 to 4 or standard.

The values stored in this file are then restored and become the current settings on the MCP.

The SYSTEM INSTALL menu is used to recall or store a standard file which is defined by the factory or the customer. A standard file can be stored only when in this menu the STAND switch is set to CUST. The procedure is the same as mentioned above.

The contents of a scene file are viewed using the view switch. When the view switch is pressed the red LED in the switch starts flashing. If a scene file switch is pressed, the indicators of the MCP corresponding to the contents of that particular file will light. All functions of the MCP except Call and On-air are blocked. Press the view switch again to return the MCP to normal operation.

LCD Function Control Menus for LDK 9

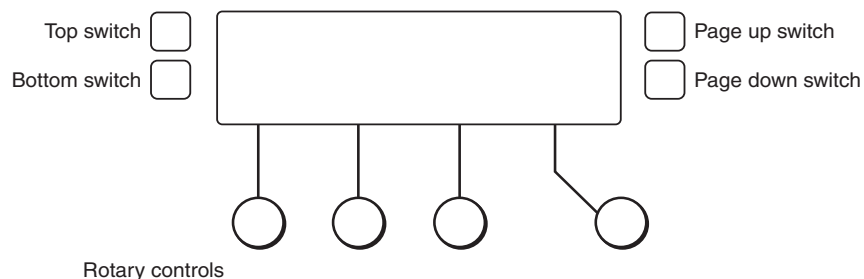
| Page No. | Parameter | Rotary Control 1 | Rotary Control 2 | Rotary Control 3 | Rotary Control 4 | Top Switch | Bottom Switch |
|----------------------|-----------------|--------------------|------------------|------------------|------------------|-------------------|-------------------|
| <u>Black</u> | | | | | | | |
| 1 | Black Level | Red | Green | Blue | Master | None | None |
| <u>Flare</u> | | | | | | | |
| 1 | Flare Level | Red | Green | Blue | None | None | None |
| <u>Gamma</u> | | | | | | | |
| 1 | Gamma XXX* | Red | Green | Blue | Master | None | None |
| <u>Gain</u> | | | | | | | |
| 1 | Gain Level | Red | Green | Blue | None | None | None |
| <u>White Shading</u> | | | | | | | |
| 1 | None | None | None | None | None | Shading on/off | None |
| 2 | Red Hor. | Sawtooth | Parabola | Red Gain | None | Shading on/off | None |
| 3 | Red Vert. | Sawtooth | Parabola | Red Gain | None | Shading on/off | None |
| 4 | Green Hor. | Sawtooth | Parabola | Green Gain | None | Shading on/off | None |
| 5 | Green Vert. | Sawtooth | Parabola | Green Gain | None | Shading on/off | None |
| 6 | Blue Hor. | Sawtooth | Parabola | Blue Gain | None | Shading on/off | None |
| 7 | Blue Vert. | Sawtooth | Parabola | Blue Gain | None | Shading on/off | None |
| <u>Knee</u> | | | | | | | |
| 1 | Knee Slope XXX* | Red | Master Slope | Blue | Master Point | None | None |
| 2 | Knee Point XXX* | Red | Master Point | Blue | Master Slope | None | None |
| <u>Contour</u> | | | | | | | |
| 1 | Level | Level Dependency | None | Vertical Level | Contour Level | Contour on/off | None |
| 2 | Freq. | Coarse/fine Level | None | Noise Slicer | Contour Level | Contour on/off | None |
| 3 | Soft | Soft Contour Level | None | None | Contour Level | Soft Cont. on/off | None |
| <u>Skin Contour</u> | | | | | | | |
| 1 | Auto 1 | Skin Level | None | None | Skin Cont. Level | Skin Cont. on/off | Skin Auto. on/off |
| 2 | Window 1 | Skin Window Red | None | Skin Window Blue | Contour Level | Skin Cont. on/off | Skin View on/off |
| 3 | Colour 1 | Skin Colour Red | None | Skin Colour Blue | Contour Level | Skin Cont. on/off | Skin View on/off |
| 4 | Auto 2 | Skin Level | None | None | Skin Cont. Level | Skin Cont. on/off | Skin Auto. on/off |
| 5 | Window 2 | Skin Window Red | None | Skin Window Blue | Contour Level | Skin Cont. on/off | Skin View on/off |
| 6 | Colour 2 | Skin Colour Red | None | Skin Colour Blue | Contour Level | Skin Cont. on/off | Skin View on/off |
| <u>White Clip</u> | | | | | | | |
| 1 | White Clip | Red | Green | Blue | Master | White Clip on/off | None |
| <u>Exposure</u> | | | | | | | |
| 1 | Exposure Time | Exposure Control | None | Lighting Control | None | None | None |
| <u>Encoding</u> | | | | | | | |
| 1 | Chroma | Saturation | None | None | None | Chroma on/off | None |
| 2 | Black Stretch | Blk. str. Level | None | None | None | Blk. str. on/off | None |
| 3 | Notch | None | None | None | None | Notch on/off | None |
| <u>Transfer</u> | | | | | | | |
| 1 | Transfer | None | None | None | None | Execute | None |

* depends on the selection made with the up/down switch

LCD Management Menus for LDK 9

| Page No. | Parameter | Rotary Control 1 | Rotary Control 2 | Rotary Control 3 | Rotary Control 4 | Top Switch | Bottom Switch |
|----------------------------|---------------------|------------------|------------------|-------------------|------------------|-----------------------|----------------|
| <u>Setup</u> | | | | | | | |
| 1 | Black Stretch | Level | None | None | None | Black Stretch on/off | None |
| 2 | Matrix | None | None | None | None | Matrix Selection 1/2 | None |
| 3 | Aspect Ratio | None | None | None | None | MCP/Ext. | 16:9/4:3 |
| 4 | Letterbox | None | None | None | None | Letterbox up | Letterbox down |
| <u>Maintenance</u> | | | | | | | |
| 1 | Timing | H-phase | Subc. Fine | Subc. Coarse | None | Timing on/off | None |
| 2 | Lens | Remote Zoom | None | Remote Focus | None | Lens Loc./rem. | None |
| 3 | Audio | Audio 1 Level | None | Audio 2 Level | None | Source Ext./MCP | Filter on/off |
| 4 | Camera Power | None | None | None | None | Cable Power on/off | None |
| <u>Diagnose</u> | | | | | | | |
| 1 | MCP version No. | None | None | None | None | None | None |
| 2 | Head version No. | None | None | None | None | None | None |
| 3 | Base version No. | None | None | None | None | None | None |
| 4 | OCP version No. | None | None | None | None | None | None |
| 5 | Test Keys * | None | None | None | None | None | None |
| 6 | Test Rotaries * | None | None | None | None | None | None |
| 7 | Test LEDs * | None | None | None | None | None | None |
| 8 | Test Screen * | None | None | None | None | None | None |
| <u>System Installation</u> | | | | | | | |
| 1 | OCP Var. Blk. Str. | None | None | None | None | Enable/disable | None |
| 2 | OCP Var. Gamma | None | None | None | None | Enable/disable | None |
| 3 | OCP Var. Flare | None | None | None | None | Enable/disable | None |
| 4 | OCP Var. Sat. | None | None | None | None | Enable/disable | None |
| 5 | OCP White clip | None | None | None | None | Enable/disable | None |
| 6 | OCP Knee Slope | None | None | None | None | Enable/disable | None |
| 7 | OCP Knee Point | None | None | None | None | Enable/disable | None |
| 8 | OCP Iris | None | None | None | None | Normal/reverse | None |
| 9 | OCP Lock | None | None | None | None | Total/upper | None |
| 10 | Standard Definition | None | None | None | None | Factory/Custom | None |
| 11 | Store Install File | None | None | None | None | Execute Store | None |
| 12 | Recall Install File | None | None | None | None | Execute Recall | None |
| <u>MCP Installation</u> | | | | | | | |
| 1 | Call Buzzer | None | None | None | None | On/off | None |
| 2 | Key Click | None | None | None | None | On/off | None |
| 3 | MCP Panel Lock | None | None | None | None | Up | Down |
| 4 | Brightness LCD | Backlight LCD | Contrast | Backlight 7-segm. | None | None | None |
| 5 | Brightness LEDs | All LEDs | On-air Red | On-air Yellow | None | None | None |
| 6 | Camera Preset | None | None | None | None | Up | Down |
| 7 | Mon. Preset 1 | None | None | None | None | Up | Down |
| 8 | Mon. Preset 2 | None | None | None | None | Up | Down |
| 9 | Scene File Recall | None | None | None | None | Active/inactive | None |
| 10 | PXM Follow | None | None | None | None | Active/inactive | None |
| 11 | Indicator Range | None | None | None | None | 00 to 99 / -99 to +99 | None |

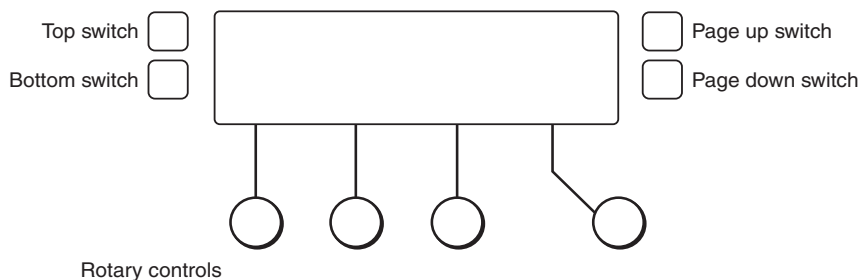
* Exit test by pressing Preview



LCD Function Control Menus for LDK 9P

| Page No. | Parameter | Rotary Control 1 | Rotary Control 2 | Rotary Control 3 | Rotary Control 4 | Top Switch | Bottom Switch |
|---------------------|-----------------|--------------------|------------------|------------------|------------------|-------------------|-------------------|
| <u>Black</u> | | | | | | | |
| 1 | Black Level | Red | Green | Blue | Master | None | None |
| <u>Flare</u> | | | | | | | |
| 1 | Flare Level | Red | Green | Blue | None | None | None |
| <u>Gamma</u> | | | | | | | |
| 1 | Gamma XXX* | Red | Green | Blue | Master | None | None |
| <u>Gain</u> | | | | | | | |
| 1 | Gain Level | Red | Green | Blue | None | None | None |
| <u>Knee</u> | | | | | | | |
| 1 | Knee Slope XXX* | Red | Master Slope | Blue | Master Point | None | None |
| 2 | Knee Point XXX* | Red | Master Point | Blue | Master Slope | None | None |
| <u>Contour</u> | | | | | | | |
| 1 | Level | Level Dependency | None | Vertical Level | Contour Level | Contour on/off | None |
| 2 | Freq. | Coarse/fine Level | None | Noise Slicer | Contour Level | Contour on/off | None |
| 3 | Soft | Soft Contour Level | None | None | Contour Level | Soft Cont. on/off | None |
| <u>Skin Contour</u> | | | | | | | |
| 1 | Auto 1 | Skin Level | None | None | Skin Cont. Level | Skin Cont. on/off | Skin Auto. on/off |
| 2 | Window 1 | Skin Window Red | None | Skin Window Blue | Contour Level | Skin Cont. on/off | Skin View on/off |
| 3 | Colour 1 | Skin Colour Red | None | Skin Colour Blue | Contour Level | Skin Cont. on/off | Skin View on/off |
| 4 | Auto 2 | Skin Level | None | None | Skin Cont. Level | Skin Cont. on/off | Skin Auto. on/off |
| 5 | Window 2 | Skin Window Red | None | Skin Window Blue | Contour Level | Skin Cont. on/off | Skin View on/off |
| 6 | Colour 2 | Skin Colour Red | None | Skin Colour Blue | Contour Level | Skin Cont. on/off | Skin View on/off |
| <u>White Clip</u> | | | | | | | |
| 1 | White Clip | Red | Green | Blue | Master | White Clip on/off | None |
| <u>Exposure</u> | | | | | | | |
| 1 | Exposure Time | Exposure Control | None | Lighting Control | None | None | None |
| <u>Encoding</u> | | | | | | | |
| 1 | Chroma | Saturation | None | None | None | Chroma on/off | None |
| 2 | Black Stretch | Blk. str. Level | None | None | None | Blk. str. on/off | None |
| 3 | Notch | None | None | None | None | Notch on/off | None |
| <u>Transfer</u> | | | | | | | |
| 1 | Transfer | None | None | None | None | Execute | None |

* depends on the selection made with the up/down switch



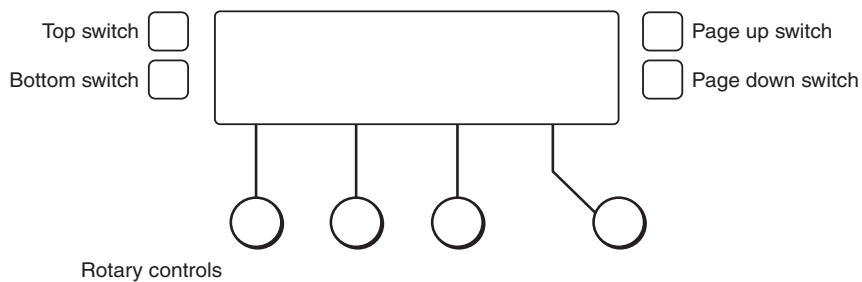
LCD Management Menus for LDK 9P

| Page No. | Parameter | Rotary Control 1 | Rotary Control 2 | Rotary Control 3 | Rotary Control 4 | Top Switch | Bottom Switch |
|----------------------------|---------------------|------------------|------------------|-------------------|------------------|-----------------------|----------------|
| <u>Setup</u> | | | | | | | |
| 1 | Black Stretch | Level | None | None | None | Black Stretch on/off | None |
| 2 | Matrix | None | None | None | None | Matrix Selection 1/2 | None |
| 3 | Aspect Ratio | None | None | None | None | MCP/Ext. | 16:9/4:3 |
| 4 | Letterbox | None | None | None | None | Letterbox up | Letterbox down |
| <u>Maintenance</u> | | | | | | | |
| 1 | Timing | H-phase | Subc. Fine | Subc. Coarse | None | Timing on/off | None |
| 2 | Camera Power | None | None | None | None | Cable Power on/off | None |
| <u>Diagnose</u> | | | | | | | |
| 1 | MCP version No. | None | None | None | None | None | None |
| 2 | Head version No. | None | None | None | None | None | None |
| 3 | Base version No. | None | None | None | None | None | None |
| 4 | OCP version No. | None | None | None | None | None | None |
| 5 | Test Keys * | None | None | None | None | None | None |
| 6 | Test Rotaries * | None | None | None | None | None | None |
| 7 | Test LEDs * | None | None | None | None | None | None |
| 8 | Test Screen * | None | None | None | None | None | None |
| <u>System Installation</u> | | | | | | | |
| 1 | OCP Var. Blk. Str. | None | None | None | None | Enable/disable | None |
| 2 | OCP Var. Gamma | None | None | None | None | Enable/disable | None |
| 3 | OCP Var. Flare | None | None | None | None | Enable/disable | None |
| 4 | OCP Var. Sat. | None | None | None | None | Enable/disable | None |
| 5 | OCP White clip | None | None | None | None | Enable/disable | None |
| 6 | OCP Knee Slope | None | None | None | None | Enable/disable | None |
| 7 | OCP Knee Point | None | None | None | None | Enable/disable | None |
| 8 | OCP Iris | None | None | None | None | Normal/reverse | None |
| 9 | OCP Lock | None | None | None | None | Total/upper | None |
| 10 | Standard Definition | None | None | None | None | Factory/Customer | None |
| 11 | Store Install File | None | None | None | None | Execute Store | None |
| 12 | Recall Install File | None | None | None | None | Execute Recall | None |
| <u>MCP Installation</u> | | | | | | | |
| 1 | Call Buzzer | None | None | None | None | On/off | None |
| 2 | Key Click | None | None | None | None | On/off | None |
| 3 | MCP Panel Lock | None | None | None | None | Up | Down |
| 4 | Brightness LCD | Backlight LCD | Contrast | Backlight 7-segm. | None | None | None |
| 5 | Brightness LEDs | All LEDs | On-air Red | On-air Yellow | None | None | None |
| 6 | Camera Preset | None | None | None | None | Up | Down |
| 7 | Mon. Preset 1 | None | None | None | None | Up | Down |
| 8 | Mon. Preset 2 | None | None | None | None | Up | Down |
| 9 | Scene File Recall | None | None | None | None | Active/inactive | None |
| 10 | PXM Follow | None | None | None | None | Active/inactive | None |
| 11 | Indicator Range | None | None | None | None | 00 to 99 / -99 to +99 | None |

* Exit test by pressing Preview

LCD Function Control Menus for LDK 910

| Page No. | Parameter | Rotary Control 1 | Rotary Control 2 | Rotary Control 3 | Rotary Control 4 | Top Switch | Bottom Switch |
|-----------------|---------------|------------------|------------------|------------------|------------------|------------------|---------------|
| <u>Black</u> | | | | | | | |
| 1 | Black Level | Red | Green | Blue | Master | None | None |
| <u>Gain</u> | | | | | | | |
| 1 | Gain Level | Red | Green | Blue | None | None | None |
| <u>Contour</u> | | | | | | | |
| 1 | Contour | None | None | None | Contour Level | Position Up | Position Down |
| <u>Encoding</u> | | | | | | | |
| 1 | Chroma | Saturation | None | None | None | Chroma on/off | None |
| 2 | Black Stretch | Blk. str. Level | None | None | None | Blk. str. on/off | None |
| 3 | Notch | None | None | None | None | Notch on/off | None |
| <u>Transfer</u> | | | | | | | |
| 1 | Transfer | None | None | None | None | Execute | None |



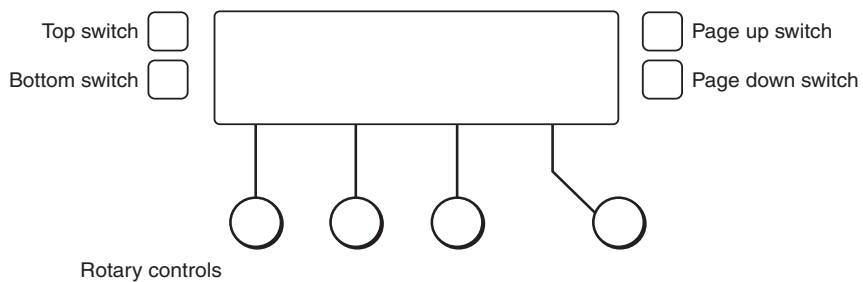
LCD Management Menus for LDK 910

| Page No. | Parameter | Rotary Control 1 | Rotary Control 2 | Rotary Control 3 | Rotary Control 4 | Top Switch | Bottom Switch |
|----------------------------|---------------------|------------------|------------------|-------------------|------------------|-----------------------|---------------|
| <u>Setup</u> | | | | | | | |
| 1 | Black Stretch | Level | None | None | None | Black Stretch on/off | None |
| <u>Maintenance</u> | | | | | | | |
| 1 | Timing | H-phase | Subc. Fine | Subc. Coarse | None | Timing on/off | None |
| 2 | Camera Power | None | None | None | None | Cable Power on/off | None |
| <u>Diagnose</u> | | | | | | | |
| 1 | MCP version No. | None | None | None | None | None | None |
| 2 | Head version No. | None | None | None | None | None | None |
| 3 | Base version No. | None | None | None | None | None | None |
| 4 | OCP version No. | None | None | None | None | None | None |
| 5 | Test Keys * | None | None | None | None | None | None |
| 6 | Test Rotaries * | None | None | None | None | None | None |
| 7 | Test LEDs * | None | None | None | None | None | None |
| 8 | Test Screen * | None | None | None | None | None | None |
| <u>System Installation</u> | | | | | | | |
| 1 | OCP Var. Blk. Str. | None | None | None | None | Enable/disable | None |
| 2 | OCP Var. Gamma | None | None | None | None | Enable/disable | None |
| 3 | OCP Var. Flare | None | None | None | None | Enable/disable | None |
| 4 | OCP Var. Sat. | None | None | None | None | Enable/disable | None |
| 5 | OCP White clip | None | None | None | None | Enable/disable | None |
| 6 | OCP Knee Slope | None | None | None | None | Enable/disable | None |
| 7 | OCP Knee Point | None | None | None | None | Enable/disable | None |
| 8 | OCP Iris | None | None | None | None | Normal/reverse | None |
| 9 | OCP Lock | None | None | None | None | Total/upper | None |
| 10 | Standard Definition | None | None | None | None | Factory/Customer | None |
| 11 | Store Install File | None | None | None | None | Execute Store | None |
| 12 | Recall Install File | None | None | None | None | Execute Recall | None |
| <u>MCP Installation</u> | | | | | | | |
| 1 | Call Buzzer | None | None | None | None | On/off | None |
| 2 | Key Click | None | None | None | None | On/off | None |
| 3 | MCP Panel Lock | None | None | None | None | Up | Down |
| 4 | Brightness LCD | Backlight LCD | Contrast | Backlight 7-segm. | None | None | None |
| 5 | Brightness LEDs | All LEDs | On-air Red | On-air Yellow | None | None | None |
| 6 | Camera Preset | None | None | None | None | Up | Down |
| 7 | Mon. Preset 1 | None | None | None | None | Up | Down |
| 8 | Mon. Preset 2 | None | None | None | None | Up | Down |
| 9 | Scene File Recall | None | None | None | None | Active/inactive | None |
| 10 | PXM Follow | None | None | None | None | Active/inactive | None |
| 11 | Indicator Range | None | None | None | None | 00 to 99 / -99 to +99 | None |

* Exit test by pressing Preview

—LCD Function Control Menus for LDK 91—

| Page No. | Parameter | Rotary Control 1 | Rotary Control 2 | Rotary Control 3 | Rotary Control 4 | Top Switch | Bottom Switch |
|-----------------|---------------|------------------|------------------|------------------|------------------|------------------|---------------|
| <u>Black</u> | | | | | | | |
| 1 | Black Level | Red | Green | Blue | Master | None | None |
| <u>Gain</u> | | | | | | | |
| 1 | Gain Level | Red | Green | Blue | None | None | None |
| <u>Contour</u> | | | | | | | |
| 1 | Contour | None | None | None | Contour Level | Position Up | Position Down |
| <u>Encoding</u> | | | | | | | |
| 1 | Chroma | Saturation | None | None | None | Chroma on/off | None |
| 2 | Black Stretch | Blk. str. Level | None | None | None | Blk. str. on/off | None |
| 3 | Notch | None | None | None | None | Notch on/off | None |
| <u>Transfer</u> | | | | | | | |
| 1 | Transfer | None | None | None | None | Execute | None |



—LCD Management Menus for LDK 91—

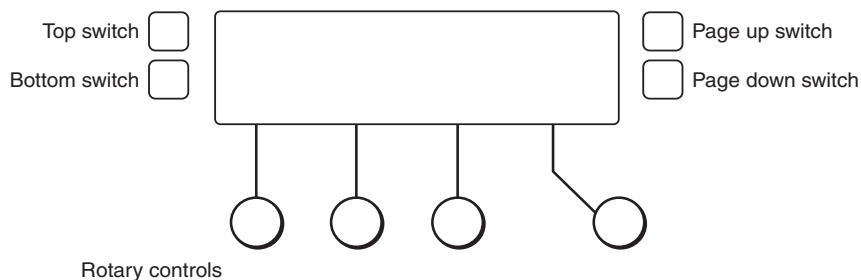
| Page No. | Parameter | Rotary Control 1 | Rotary Control 2 | Rotary Control 3 | Rotary Control 4 | Top Switch | Bottom Switch |
|----------------------------|---------------------|------------------|------------------|-------------------|------------------|-----------------------|---------------|
| <u>Setup</u> | | | | | | | |
| 1 | Black Stretch | Level | None | None | None | Black Stretch on/off | None |
| <u>Maintenance</u> | | | | | | | |
| 1 | Timing | H-phase | Subc. Fine | Subc. Coarse | None | Timing on/off | None |
| 2 | Camera Power | None | None | None | None | Cable Power on/off | None |
| <u>Diagnose</u> | | | | | | | |
| 1 | MCP version No. | None | None | None | None | None | None |
| 2 | Head version No. | None | None | None | None | None | None |
| 3 | Base version No. | None | None | None | None | None | None |
| 4 | OCP version No. | None | None | None | None | None | None |
| 5 | Test Keys * | None | None | None | None | None | None |
| 6 | Test Rotaries * | None | None | None | None | None | None |
| 7 | Test LEDs * | None | None | None | None | None | None |
| 8 | Test Screen * | None | None | None | None | None | None |
| <u>System Installation</u> | | | | | | | |
| 1 | OCP Var. Blk. Str. | None | None | None | None | Enable/disable | None |
| 2 | OCP Var. Gamma | None | None | None | None | Enable/disable | None |
| 3 | OCP Var. Flare | None | None | None | None | Enable/disable | None |
| 4 | OCP Var. Sat. | None | None | None | None | Enable/disable | None |
| 5 | OCP White clip | None | None | None | None | Enable/disable | None |
| 6 | OCP Knee Slope | None | None | None | None | Enable/disable | None |
| 7 | OCP Knee Point | None | None | None | None | Enable/disable | None |
| 8 | OCP Iris | None | None | None | None | Normal/reverse | None |
| 9 | OCP Lock | None | None | None | None | Total/upper | None |
| 10 | Standard Definition | None | None | None | None | Factory/Customer | None |
| 11 | Store Install File | None | None | None | None | Execute Store | None |
| 12 | Recall Install File | None | None | None | None | Execute Recall | None |
| <u>MCP Installation</u> | | | | | | | |
| 1 | Call Buzzer | None | None | None | None | On/off | None |
| 2 | Key Click | None | None | None | None | On/off | None |
| 3 | MCP Panel Lock | None | None | None | None | Up | Down |
| 4 | Brightness LCD | Backlight LCD | Contrast | Backlight 7-segm. | None | None | None |
| 5 | Brightness LEDs | All LEDs | On-air Red | On-air Yellow | None | None | None |
| 6 | Camera Preset | None | None | None | None | Up | Down |
| 7 | Mon. Preset 1 | None | None | None | None | Up | Down |
| 8 | Mon. Preset 2 | None | None | None | None | Up | Down |
| 9 | Scene File Recall | None | None | None | None | Active/inactive | None |
| 10 | PXM Follow | None | None | None | None | Active/inactive | None |
| 11 | Indicator Range | None | None | None | None | 00 to 99 / -99 to +99 | None |

* Exit test by pressing Preview

LCD Function Control Menus for LDK 9000

| Page No. | Parameter | Rotary Control 1 | Rotary Control 2 | Rotary Control 3 | Rotary Control 4 | Top Switch | Bottom Switch |
|----------------------|-------------|-------------------|------------------|------------------|------------------|----------------|---------------|
| <u>Black</u> | | | | | | | |
| 1 | Black Level | Red | Green | Blue | Focus | None | None |
| <u>Flare</u> | | | | | | | |
| 1 | Flare Level | Red | Green | Blue | Focus | Flare on/off | None |
| <u>Gamma</u> | | | | | | | |
| 1 | Gamma XXX* | Red | Green | Blue | Master | None | None |
| <u>Gain</u> | | | | | | | |
| 1 | Gain Level | Red | Green | Blue | Focus | None | None |
| <u>White Shading</u> | | | | | | | |
| 1 | None | None | None | None | None | Shading on/off | None |
| 2 | Red Hor. | Sawtooth | Parabola | Red Gain | None | Shading on/off | None |
| 3 | Red Vert. | Sawtooth | Parabola | Red Gain | None | Shading on/off | None |
| 4 | Green Hor. | Sawtooth | Parabola | Green Gain | None | Shading on/off | None |
| 5 | Green Vert. | Sawtooth | Parabola | Green Gain | None | Shading on/off | None |
| 6 | Blue Hor. | Sawtooth | Parabola | Blue Gain | None | Shading on/off | None |
| 7 | Blue Vert. | Sawtooth | Parabola | Blue Gain | None | Shading on/off | None |
| <u>Knee</u> | | | | | | | |
| 1 | Knee XXX* | Master slope | None | Master point | None | None | None |
| <u>Contour</u> | | | | | | | |
| 1 | Balance | N-Slicer Level | B/W Balance | Hor/Vert Level | Contour Level | Contour on/off | None |
| 2 | Freq. | Coarse/fine Level | None | Level Dependency | Contour Level | Contour on/off | None |
| 3 | Source | None | None | None | None | Position up | Position down |

* depends on the selection made with the up/down switch



LCD Management Menus for LDK 9000

| Page No. | Parameter | Rotary Control 1 | Rotary Control 2 | Rotary Control 3 | Rotary Control 4 | Top Switch | Bottom Switch |
|----------------------------|---------------------|------------------|------------------|-------------------|------------------|-----------------------|-----------------|
| <u>Setup</u> | | | | | | | |
| 1 | Black Stretch | Level | None | None | None | Black Stretch on/off | None |
| 2 | Matrix | None | None | None | None | Matrix Selection 1/2 | None |
| <u>Maintenance</u> | | | | | | | |
| 1 | Lens | Remote Zoom | None | None | Remote Focus | Zoom Loc./rem. | Focus Loc./rem. |
| 2 | Audio | Audio 1 Level | None | Audio 2 Level | None | Source Ext./MCP | Filter on/off |
| 3 | Sawtooth Select | None | None | None | None | Selection up | Selection down |
| 4 | VF Monitoring | None | None | None | None | Selection up | Selection down |
| 5 | Heater | None | None | None | None | Heater on/off | None |
| <u>Diagnose</u> | | | | | | | |
| 1 | MCP version No. | None | None | None | None | None | None |
| 2 | Head version No. | None | None | None | None | None | None |
| 3 | Base version No. | None | None | None | None | None | None |
| 4 | OCP version No. | None | None | None | None | None | None |
| 5 | Test Keys * | None | None | None | None | None | None |
| 6 | Test Rotaries * | None | None | None | None | None | None |
| 7 | Test LEDs * | None | None | None | None | None | None |
| 8 | Test Screen * | None | None | None | None | None | None |
| <u>System Installation</u> | | | | | | | |
| 1 | OCP Var. Blk. Str. | None | None | None | None | Enable/disable | None |
| 2 | OCP Var. Gamma | None | None | None | None | Enable/disable | None |
| 3 | OCP Var. Flare | None | None | None | None | Enable/disable | None |
| 4 | OCP Var. Sat. | None | None | None | None | Enable/disable | None |
| 5 | OCP White clip | None | None | None | None | Enable/disable | None |
| 6 | OCP Knee Slope | None | None | None | None | Enable/disable | None |
| 7 | OCP Knee Point | None | None | None | None | Enable/disable | None |
| 8 | OCP Iris | None | None | None | None | Normal/reverse | None |
| 9 | OCP Lock | None | None | None | None | Total/upper | None |
| 10 | Standard Definition | None | None | None | None | Factory/Customer | None |
| 11 | Store Install File | None | None | None | None | Execute Store | None |
| 12 | Recall Install File | None | None | None | None | Execute Recall | None |
| <u>MCP Installation</u> | | | | | | | |
| 1 | Call Buzzer | None | None | None | None | On/off | None |
| 2 | Key Click | None | None | None | None | On/off | None |
| 3 | MCP Panel Lock | None | None | None | None | Up | Down |
| 4 | Brightness LCD | Backlight LCD | Contrast | Backlight 7-segm. | None | None | None |
| 5 | Brightness LEDs | All LEDs | On-air Red | On-air Yellow | None | None | None |
| 6 | Camera Preset | None | None | None | None | Up | Down |
| 7 | Mon. Preset 1 | None | None | None | None | Up | Down |
| 8 | Mon. Preset 2 | None | None | None | None | Up | Down |
| 9 | Scene File Recall | None | None | None | None | Active/inactive | None |
| 10 | PXM Follow | None | None | None | None | Active/inactive | None |
| 11 | Indicator Range | None | None | None | None | 00 to 99 / -99 to +99 | None |

* Exit test by pressing Preview

LCD Function Control Menus for LDK 10

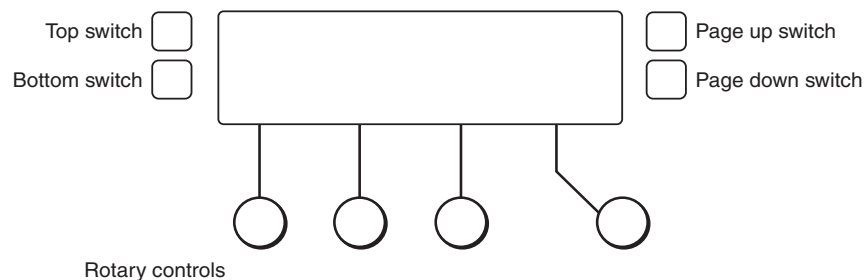
| Page No. | Parameter | Rotary Control 1 | Rotary Control 2 | Rotary Control 3 | Rotary Control 4 | Top Switch | Bottom Switch |
|----------------------|-----------------|--------------------|------------------|------------------|------------------|---------------------|-------------------|
| <u>Black</u> | | | | | | | |
| 1 | Black Level | Red | Green | Blue | Master | None | None |
| <u>Flare</u> | | | | | | | |
| 1 | Flare Level | Red | Green | Blue | None | Flare on/off | None |
| <u>Gamma</u> | | | | | | | |
| 1 | Gamma XXX* | Red | Green | Blue | Master | None | None |
| <u>Gain</u> | | | | | | | |
| 1 | Gain Level | Red | Green | Blue | None | None | None |
| <u>White Shading</u> | | | | | | | |
| 1 | None | None | None | None | None | Shading on/off | None |
| 2 | Red Hor. | Sawtooth | Parabola | Red Gain | None | Shading on/off | None |
| 3 | Red Vert. | Sawtooth | Parabola | Red Gain | None | Shading on/off | None |
| 4 | Green Hor. | Sawtooth | Parabola | None | None | Shading on/off | None |
| 5 | Green Vert. | Sawtooth | Parabola | None | None | Shading on/off | None |
| 6 | Blue Hor. | Sawtooth | Parabola | Blue Gain | None | Shading on/off | None |
| 7 | Blue Vert. | Sawtooth | Parabola | Blue Gain | None | Shading on/off | None |
| <u>Knee</u> | | | | | | | |
| 1 | Knee Slope XXX* | Red | Master slope | Blue | Master point | None | None |
| 2 | Knee Point XXX* | Red | Master point | Blue | Master slope | None | None |
| <u>Contour</u> | | | | | | | |
| 1 | Level | Level Dependency | None | Vertical Level | Contour Level | Contour var./off | None |
| 2 | Freq. | Coarse/fine Level | None | Noise Slicer | Contour Level | Contour var./off | None |
| 3 | Soft | Soft Contour Level | None | None | Contour Level | Soft Cont. on/off | None |
| <u>Skin Contour</u> | | | | | | | |
| 1 | Skin1 | Skin Level | None | None | Cont. Level | Skin Cont. 1 on/off | Skin Auto. on/off |
| 2 | Window 1 | Skin Window Red | None | Skin Window Blue | Contour Level | Skin Cont. 1 on/off | Skin View on/off |
| 3 | Colour 1 | Skin Colour Red | None | Skin Colour Blue | Contour Level | Skin Cont. 1 on/off | Skin View on/off |
| 4 | Skin 2 | Skin Level | None | None | Cont. Level | Skin Cont. 2 on/off | Skin Auto. on/off |
| 5 | Window 2 | Skin Window Red | None | Skin Window Blue | Contour Level | Skin Cont. 2 on/off | Skin View on/off |
| 6 | Colour 2 | Skin Colour Red | None | Skin Colour Blue | Contour Level | Skin Cont. 2 on/off | Skin View on/off |
| <u>White Clip</u> | | | | | | | |
| 1 | White Clip | Red | Green | Blue | Master | White Clip on/off | None |
| <u>Exposure</u> | | | | | | | |
| 1 | Exposure Time* | Exposure Control | None | Lighting Control | None | None | None |
| <u>Encoding</u> | | | | | | | |
| 1 | Chroma | Saturation | None | None | None | Chroma on/off | None |
| 2 | Black Stretch | Blk. str. Level | None | None | None | Blk. str. on/off | None |
| 3 | Notch | None | None | None | None | Notch on/off | None |
| <u>Transfer</u> | | | | | | | |
| 1 | Transfer | None | None | None | None | Execute | None |

* depends on the selection made with the up/down switch

LCD Management Menus for LDK 10

| Page No. | Parameter | Rotary Control 1 | Rotary Control 2 | Rotary Control 3 | Rotary Control 4 | Top Switch | Bottom Switch |
|----------------------------|---------------------|------------------|------------------|-------------------|------------------|-----------------------|----------------|
| <u>Setup</u> | | | | | | | |
| 1 | Black Stretch | Level | None | None | None | Black Stretch on/off | None |
| 2 | Matrix | None | None | None | None | Matrix Selection 1/2 | None |
| 3 | Aspect Ratio | None | None | None | None | MCP/Ext. | 16:9/4:3 |
| 4 | Letterbox | None | None | None | None | Letterbox up | Letterbox down |
| 5 | Reverse Scan | None | None | None | None | On/off | None |
| <u>Maintenance</u> | | | | | | | |
| 1 | Timing | H-phase | Subc. Fine | Subc. Coarse | None | Timing on/off | None |
| 2 | Lens | Remote Zoom | None | Remote Focus | None | Lens Loc./rem. | None |
| 3 | Audio | Audio 1 Level | None | Audio 2 Level | None | Source Ext./MCP | Filter on/off |
| 4 | Camera Power | None | None | None | None | Cable Power on/off | None |
| <u>Diagnose</u> | | | | | | | |
| 1 | MCP version No. | None | None | None | None | None | None |
| 2 | Head version No. | None | None | None | None | None | None |
| 3 | Base version No. | None | None | None | None | None | None |
| 4 | OCP version No. | None | None | None | None | None | None |
| 5 | Test Keys * | None | None | None | None | None | None |
| 6 | Test Rotaries * | None | None | None | None | None | None |
| 7 | Test LEDs * | None | None | None | None | None | None |
| 8 | Test Screen * | None | None | None | None | None | None |
| 9 | Lens Type | None | None | None | None | None | None |
| <u>System Installation</u> | | | | | | | |
| 1 | OCP Var. Blk. Str. | None | None | None | None | Enable/disable | None |
| 2 | OCP Var. Gamma | None | None | None | None | Enable/disable | None |
| 3 | OCP Var. Flare | None | None | None | None | Enable/disable | None |
| 4 | OCP Var. Sat. | None | None | None | None | Enable/disable | None |
| 5 | OCP White clip | None | None | None | None | Enable/disable | None |
| 6 | OCP Knee Slope | None | None | None | None | Enable/disable | None |
| 7 | OCP Knee Point | None | None | None | None | Enable/disable | None |
| 8 | OCP Iris | None | None | None | None | Normal/reverse | None |
| 9 | OCP Lock | None | None | None | None | Total/upper | None |
| 10 | Standard Definition | None | None | None | None | Factory/Customer | None |
| 11 | Recall Install File | None | None | None | None | Execute Recall | None |
| 12 | Store Install File | None | None | None | None | Execute Store | None |
| <u>MCP Installation</u> | | | | | | | |
| 1 | Call Buzzer | None | None | None | None | On/off | None |
| 2 | Key Click | None | None | None | None | On/off | None |
| 3 | MCP Panel Lock | None | None | None | None | Upper/Total | None |
| 4 | Brightness LCD | Backlight LCD | Contrast | Backlight 7-segm. | None | None | None |
| 5 | Brightness LEDs | All LEDs | On-air Red | On-air Yellow | None | None | None |
| 6 | Camera Preset | None | None | None | None | Up | Down |
| 7 | Mon. Preset 1 | None | None | None | None | Up | Down |
| 8 | Mon. Preset 2 | None | None | None | None | Up | Down |
| 9 | Scene File Recall | None | None | None | None | Direct/recall | None |
| 10 | PXM Follow | None | None | None | None | On/off | None |
| 11 | Indicator Range | None | None | None | None | 00 to 99 / -99 to +99 | None |

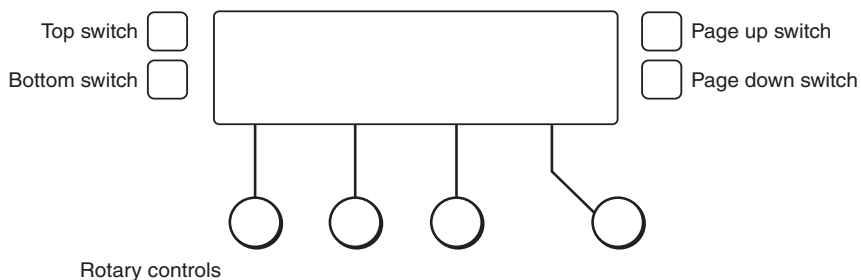
* Exit test by pressing Preview



LCD Function Control Menus for LDK 10P

| Page No. | Parameter | Rotary Control 1 | Rotary Control 2 | Rotary Control 3 | Rotary Control 4 | Top Switch | Bottom Switch |
|----------------------|-----------------|--------------------|------------------|------------------|------------------|---|-------------------|
| <u>Black</u> | | | | | | | |
| 1 | Black Level | Red | Green | Blue | Master | None | None |
| <u>Flare</u> | | | | | | | |
| 1 | Flare Level | Red | Green | Blue | None | Flare on/off | None |
| <u>Gamma</u> | | | | | | | |
| 1 | Gamma XXX* | Red | Green | Blue | Master | None | None |
| <u>Gain</u> | | | | | | | |
| 1 | Gain Level | Red | Green | Blue | None | None | None |
| <u>White Shading</u> | | | | | | | |
| 1 | None | None | None | None | None | Shading on/off | None |
| <u>Knee</u> | | | | | | | |
| 1 | Knee Slope XXX* | Red | Master slope | Blue | Master slope | None | None |
| 2 | Knee Point XXX* | Red | Master point | Blue | Master point | None | None |
| <u>Contour</u> | | | | | | | |
| 1 | Level | Level Dependency | None | Vertical Level | Contour Level | Contour var./off | None |
| 2 | Freq. | Coarse/fine Level | None | Noise Slicer | Contour Level | Contour var./off | None |
| 3 | Soft | Soft Contour Level | None | None | Contour Level | Soft Cont. on/off | None |
| <u>Skin Contour</u> | | | | | | | |
| 1 | Skin1 | Skin Level | None | None | Cont. Level | Skin Cont. 1 on/off | Skin Auto. on/off |
| 2 | Window 1 | Skin Window Red | None | Skin Window Blue | Contour Level | Skin Cont. 1 on/off | Skin View on/off |
| 3 | Colour 1 | Skin Colour Red | None | Skin Colour Blue | Contour Level | Skin Cont. 1 on/off | Skin View on/off |
| 4 | Skin 2 | Skin Level | None | None | Cont. Level | Skin Cont. 2 on/off | Skin Auto. on/off |
| 5 | Window 2 | Skin Window Red | None | Skin Window Blue | Contour Level | Skin Cont. 2 on/off | Skin View on/off |
| 6 | Colour 2 | Skin Colour Red | None | Skin Colour Blue | Contour Level | Skin Cont. 2 on/off | Skin View on/off |
| <u>White Clip</u> | | | | | | | |
| 1 | White Clip | Red | Green | Blue | Master | White Clip on/off | None |
| <u>Exposure</u> | | | | | | | |
| 1 | Exposure Time* | Exposure Control | None | Lighting Control | None | Scroll Up (var;60Hz;50Hz;Nom;200;500;1000;crt) | Scroll Down |
| <u>Encoding</u> | | | | | | | |
| 1 | Chroma | Saturation | None | None | None | Chroma on/off | None |
| 2 | Black Stretch | Blk. str. Level | None | None | None | Blk. str. on/off | None |
| 3 | Notch | Notch Depth | None | None | None | Notch on/off | None |
| <u>Transfer</u> | | | | | | | |
| 1 | Transfer | None | None | None | None | Execute | None |

* depends on the selection made with the up/down switch



LCD Management Menus for LDK 10P

| Page No. | Parameter | Rotary Control 1 | Rotary Control 2 | Rotary Control 3 | Rotary Control 4 | Top Switch | Bottom Switch |
|----------------------------|---------------------|------------------|------------------|-------------------|------------------|------------------------|----------------|
| <u>Setup</u> | | | | | | | |
| 1 | Black Stretch | Level | None | None | None | Black Stretch on/off | None |
| 2 | Matrix | None | None | None | None | Matrix Selection 1/2 | None |
| 3 | Aspect Ratio | None | None | None | None | MCP/Ext. | 16:9/4:3 |
| 4 | Letterbox | None | None | None | None | Letterbox up | Letterbox down |
| <u>Maintenance</u> | | | | | | | |
| 1 | Timing | H-phase | Subc. Fine | Subc. Coarse | None | Timing on/off | None |
| 2 | Lens ** | Remote Zoom | None | Remote Focus | None | Lens Loc./rem. | None |
| 3 | Audio | Audio 1 Level | None | Audio 2 Level | None | Source Ext./MCP | Filter on/off |
| 4 | Camera Power | None | None | None | None | Cable Power on/off | None |
| 5 | Maximum User Level | None | None | None | None | Up | Down |
| <u>Diagnose</u> | | | | | | | |
| 1 | MCP version No. | None | None | None | None | None | None |
| 2 | Head version No. | None | None | None | None | None | None |
| 3 | Base version No. | None | None | None | None | None | None |
| 4 | OCP version No. | None | None | None | None | None | None |
| 5 | Test Keys * | None | None | None | None | None | None |
| 6 | Test Rotaries * | None | None | None | None | None | None |
| 7 | Test LEDs * | None | None | None | None | None | None |
| 8 | Test Screen * | None | None | None | None | None | None |
| <u>System Installation</u> | | | | | | | |
| 1 | OCP Var. Blk. Str. | None | None | None | None | Enable/disable | None |
| 2 | OCP Var. Gamma | None | None | None | None | Enable/disable | None |
| 3 | OCP Var. Flare | None | None | None | None | Enable/disable | None |
| 4 | OCP Var. Sat. | None | None | None | None | Enable/disable | None |
| 5 | OCP White clip | None | None | None | None | Enable/disable | None |
| 6 | OCP Knee Slope | None | None | None | None | Enable/disable | None |
| 7 | OCP Knee Point | None | None | None | None | Enable/disable | None |
| 8 | OCP Iris | None | None | None | None | Normal/reverse | None |
| 9 | OCP Lock | None | None | None | None | Total/upper | None |
| 10 | Standard Definition | None | None | None | None | Factory/Customer | None |
| 11 | Recall Install File | None | None | None | None | Execute Recall | None |
| 12 | Store Install File | None | None | None | None | Execute Store | None |
| <u>MCP Installation</u> | | | | | | | |
| 1 | Call Buzzer | None | None | None | None | On/off | None |
| 2 | Key Click | None | None | None | None | On/off | None |
| 3 | MCP Panel Lock | None | None | None | None | Upper/Total | None |
| 4 | Brightness LCD | Backlight LCD | Contrast | Backlight 7-segm. | None | None | None |
| 5 | Brightness LEDs | All LEDs | On-air Red | On-air Yellow | None | None | None |
| 6 | Camera Preset | None | None | None | None | Up | Down |
| 7 | Mon. Preset 1 | None | None | None | None | Up | Down |
| 8 | Mon. Preset 2 | None | None | None | None | Up | Down |
| 9 | Scene File Recall | None | None | None | None | Direct/recall | None |
| 10 | PXM Follow | None | None | None | None | On/off | None |
| 11 | Indicator Range | None | None | None | None | 00 to 99 / -99 to +99 | None |
| 12 | MCP Number | None | None | None | None | Up (MCP1;MCP2;MCP3) | Down |

* Exit test by pressing Preview

** Only with Large Lens Adaptor

LCD Function Control Menus for LDK 20P

| Page No. | Parameter | Rotary Control 1 | Rotary Control 2 | Rotary Control 3 | Rotary Control 4 | Top Switch | Bottom Switch |
|----------------------|-------------------|--------------------|------------------|------------------|------------------|---|----------------------------------|
| <u>Black</u> | | | | | | | |
| 1 | Black Level | Red | Green | Blue | Master | None | None |
| <u>Flare</u> | | | | | | | |
| 1 | Flare Level | Red | Green | Blue | None | Scroll Up | Scroll Down |
| <u>Gamma</u> | | | | | | | |
| 1 | Gamma XXX* | Red | Green | Blue | Master | Scroll Up (ARD;CCIR;RAI;BBC04;BBC05;BBC06) | Scroll Down |
| <u>Gain</u> | | | | | | | |
| 1 | Gain Level | Red | Green | Blue | None | None | None |
| <u>White Shading</u> | | | | | | | |
| 1 | None | None | None | None | None | Shading on/off | None |
| 2 | Red Hor. | Red Gain | Sawtooth | Parabola | None | Shading on/off | None |
| 3 | Red Vert. | Red Gain | Sawtooth | Parabola | None | Shading on/off | None |
| 4 | Green Hor. | None | Sawtooth | Parabola | None | Shading on/off | None |
| 5 | Green Vert. | None | Sawtooth | Parabola | None | Shading on/off | None |
| 6 | Blue Hor. | Blue Gain | Sawtooth | Parabola | None | Shading on/off | None |
| 7 | Blue Vert. | Blue Gain | Sawtooth | Parabola | None | Shading on/off | None |
| 8 | Range extender | Red | Green | Blue | None | None | None |
| <u>Knee</u> | | | | | | | |
| 1 | Knee Slope Point* | None | None | Slope | Point | None | None |
| 2 | Desat | None | None | None | Level | Desat On/Off | None |
| 3 | Source | None | None | None | None | Y/NAM | None |
| <u>Contour</u> | | | | | | | |
| 1 | Level | Level Dependency | None | Vertical Level | Contour Level | Contour var./off | None |
| 2 | Freq. | Coarse/fine Level | None | Noise Slicer | Contour Level | Contour var./off | None |
| 3 | Soft | Soft Contour Level | None | None | Contour Level | Soft Cont. on/off | None |
| 4 | Source | None | None | None | Contour Level | Scroll Up | Scroll Down (R;G;Y;AverageRG) |
| <u>Skin Contour</u> | | | | | | | |
| 1 | Skin1 | Skin Level | None | None | Cont. Level | Skin Cont. 1 on/off | Skin Auto. on/off |
| 2 | Window 1 | Skin Window Red | None | Skin Window Blue | Contour Level | Skin Cont. 1 on/off | Skin View on/off |
| 3 | Colour 1 | Skin Colour Red | None | Skin Colour Blue | Contour Level | Skin Cont. 1 on/off | Skin View on/off |
| 4 | Skin 2 | Skin Level | None | None | Cont. Level | Skin Cont. 2 on/off | Skin Auto. on/off |
| 5 | Window 2 | Skin Window Red | None | Skin Window Blue | Contour Level | Skin Cont. 2 on/off | Skin View on/off |
| 6 | Colour 2 | Skin Colour Red | None | Skin Colour Blue | Contour Level | Skin Cont. 2 on/off | Skin View on/off |
| <u>White Clip</u> | | | | | | | |
| 1 | White Clip | Red | Green | Blue | Master | White Clip on/off | None |
| <u>Exposure</u> | | | | | | | |
| 1 | Exposure Time* | Exposure Control | None | Lighting Control | None | None | None |
| <u>Encoding</u> | | | | | | | |
| 1 | Chroma | Saturation | None | None | None | Chroma on/off | None |
| 2 | Black Stretch | Blk. str. Level | None | None | None | Blk. str. on/off | None |
| 3 | Notch | Depth | None | None | None | Notch on/off | None |
| <u>Transfer</u> | | | | | | | |
| 1 | Transfer | None | None | None | None | Execute | None |

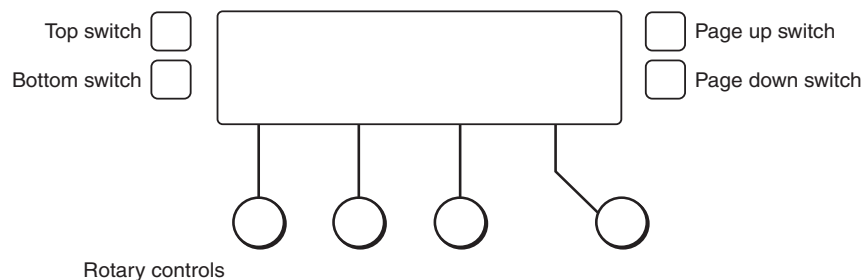
* depends on the selection made with the up/down switch

LCD Management Menus for LDK 20P

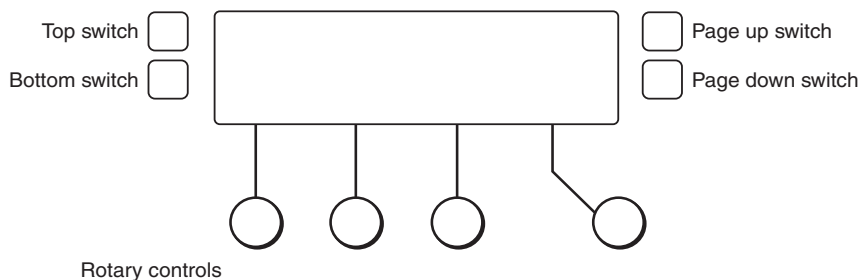
| Page No. | Parameter | Rotary Control 1 | Rotary Control 2 | Rotary Control 3 | Rotary Control 4 | Top Switch | Bottom Switch |
|--------------------|-----------------------|------------------|------------------|------------------|------------------|---|---------------|
| <u>Setup</u> | | | | | | | |
| 1 | Black Stretch | Level | None | None | None | Black Stretch on/off | None |
| 2 | Matrix | None | None | None | None | Scroll Up (B/W;VAR1;VAR2;1:1;EBU;BBC;SKIN;RAI) | Scroll Down |
| 3 | Mtx R | None | G->R | B->R | None | None | None |
| 4 | Mtx G | None | R->G | B->G | None | None | None |
| 5 | Mtx B | None | R->B | G->B | None | None | None |
| 6 | Matrix sequence | None | None | None | None | M->G/G->M | None |
| 7 | Aspect Ratio | None | None | None | None | MCP/Ext. | 16:9/4:3 |
| 8 | Letterbox | None | None | None | None | Scroll Up (Off;16:9;16:10;16:11) | Scroll Down |
| <u>Maintenance</u> | | | | | | | |
| 1 | Timing | H-phase | Subc. Fine | Subc. Coarse | None | Timing on/off | None |
| 2 | Lens ** | Remote Zoom | None | Remote Focus | None | Lens Loc./rem. | None |
| 3 | Audio | Audio 1 Level | None | Audio 2 Level | None | Source Ext./MCP | None |
| 4 | Camera Power | None | None | None | None | Cable Power on/off | None |
| 5 | Max. User Level | None | None | None | None | Scroll Up (0;1;2;3;4) | Scroll Down |
| 6 | Iris peak/average *** | None | P/A | None | None | None | None |
| 7 | Heater | None | None | None | None | Heater on/off | None |
| 8 | On air lamp | None | Dim level | None | None | Enable/disable | None |
| <u>Diagnose</u> | | | | | | | |
| 1 | MCP version No. | None | None | None | None | None | None |
| 2 | Head version No. | None | None | None | None | None | None |
| 3 | Base version No. | None | None | None | None | None | None |
| 4 | OCP version No. | None | None | None | None | None | None |
| 5 | Test Keys * | None | None | None | None | None | None |
| 6 | Test Rotaries * | None | None | None | None | None | None |
| 7 | Test LEDs * | None | None | None | None | None | None |
| 8 | Test Screen * | None | None | None | None | None | None |
| 9 | Lens Type | None | None | None | None | None | None |

... continued

- *** When Auto Iris is ON
- ** Only with Large Lens Adaptor
- * Exit test by pressing Preview



| Page No. | Parameter | Rotary Control 1 | Rotary Control 2 | Rotary Control 3 | Rotary Control 4 | Top Switch | Bottom Switch |
|----------------------------|---------------------|------------------|------------------|-------------------|------------------|--|---------------|
| <u>System Installation</u> | | | | | | | |
| 1 | OCP Var. Blk. Str. | None | None | None | None | Yes/No | None |
| 2 | OCP Var. Gamma | None | None | None | None | Yes/No | None |
| 3 | OCP Var. Flare | None | None | None | None | Yes/No | None |
| 4 | OCP Var. Sat. | None | None | None | None | Yes/No | None |
| 5 | OCP White clip | None | None | None | None | Yes/No | None |
| 6 | OCP Knee Slope | None | None | None | None | Yes/No | None |
| 7 | OCP Knee Point | None | None | None | None | Yes/No | None |
| 8 | OCP Iris | None | None | None | None | Normal/reverse | None |
| 9 | OCP Lock | None | None | None | None | Total/upper | None |
| 10 | Black contrast | None | None | None | None | Stretch/Press | None |
| 11 | Standard Definition | None | None | None | None | Factory/Customer | None |
| 12 | Recall Install File | None | None | None | None | Execute Recall | None |
| 13 | Store Install File | None | None | None | None | Execute Store | None |
| <u>MCP Installation</u> | | | | | | | |
| 1 | Call Buzzer | None | None | None | None | On/off | None |
| 2 | Key Click | None | None | None | None | On/off | None |
| 3 | MCP Panel Lock | None | None | None | None | Upper/Total | None |
| 4 | Brightness LCD | Backlight LCD | Contrast | Backlight 7-segm. | None | None | None |
| 5 | Brightness LEDs | All LEDs | On-air Red | On-air Yellow | None | None | None |
| 6 | Camera Preset | None | None | None | None | Scroll Up | Scroll Down |
| | | | | | | <i>(No Cam.;1;2;3;4;5;6;7;8;9;10;11;12;13;14;15)</i> | |
| 7 | Mon. Preset 1 | None | None | None | None | Scroll Up | Scroll Down |
| 8 | Mon. Preset 2 | None | None | None | None | Scroll Up | Scroll Down |
| | | | | | | <i>(R;G;B;Sup;CVBS;Seq;Y;ext1;ext2;Yext1;Yext2)</i> | |
| 9 | Scene File Recall | None | None | None | None | Direct/recall | None |
| 10 | PXM Follow | None | None | None | None | On/off | None |
| 11 | Indicator Range | None | None | None | None | 00 to 99 / -99 to +99 | None |
| 12 | MCP Number | None | None | None | None | Up | Down |
| | | | | | | <i>(MCP1;MCP2;MCP3)</i> | |



—LCD Function Control Menus for LDK 23HS and LDK 23HS mkII—

| Page No. | Parameter | Rotary Control 1 | Rotary Control 2 | Rotary Control 3 | Rotary Control 4 | Top Switch | Bottom Switch |
|----------------------|-------------------|--------------------|------------------|------------------|------------------|---|---------------|
| <u>Black</u> | | | | | | | |
| 1 | Black Level | Red | Green | Blue | Master | None | None |
| <u>Flare</u> | | | | | | | |
| 1 | Flare Level | Red | Green | Blue | None | Scroll Up | Scroll Down |
| <u>Gamma</u> | | | | | | | |
| 1 | Gamma XXX* | Red | Green | Blue | Master | Scroll Up (ARD;CCIR;RAI;BBC04;BBC05;BBC06) | Scroll Down |
| <u>Gain</u> | | | | | | | |
| 1 | Gain Level | Red | Green | Blue | None | None | None |
| <u>White Shading</u> | | | | | | | |
| 1 | Shading | None | None | None | None | Shading on/off | None |
| 2 | Red Hor. | Red Gain | Sawtooth | Parabola | None | Shading on/off | None |
| 3 | Red Vert. | Red Gain | Sawtooth | Parabola | None | Shading on/off | None |
| 4 | Green Hor. | None | Sawtooth | Parabola | None | Shading on/off | None |
| 5 | Green Vert. | None | Sawtooth | Parabola | None | Shading on/off | None |
| 6 | Blue Hor. | Blue Gain | Sawtooth | Parabola | None | Shading on/off | None |
| 7 | Blue Vert. | Blue Gain | Sawtooth | Parabola | None | Shading on/off | None |
| 8 | Range extender | Red | Green | Blue | None | None | None |
| <u>Knee</u> | | | | | | | |
| 1 | Knee Slope Point* | None | None | Slope | Point | None | None |
| 2 | Desat | None | None | None | Level | Desat On/Off | None |
| <u>Contour</u> | | | | | | | |
| 1 | Level | Level Dependency | None | Vertical Level | Contour Level | Contour var./off | None |
| 2 | Freq. | Coarse/fine Level | None | Noise Slicer | Contour Level | Contour var./off | None |
| 3 | Soft | Soft Contour Level | None | None | Contour Level | Soft Cont. on/off | None |
| 4 | Source | None | None | None | Contour Level | Scroll Up (R;G;Y;AverageRG) | Scroll Down |
| <u>White Clip</u> | | | | | | | |
| 1 | White Clip | Red | Green | Blue | Master | White Clip on/off | None |
| <u>Exposure</u> | | | | | | | |
| 1 | Exposure Time* | Exposure Control | None | Lighting Control | None | None | None |
| <u>Encoding</u> | | | | | | | |
| 1 | Chroma | Saturation | None | None | None | Chroma on/off | None |
| 2 | Black Stretch | Blk. str. Level | None | None | None | Blk. str. on/off | None |
| <u>Transfer</u> | | | | | | | |
| 1 | Transfer | None | None | None | None | Execute | None |

* depends on the selection made with the up/down switch

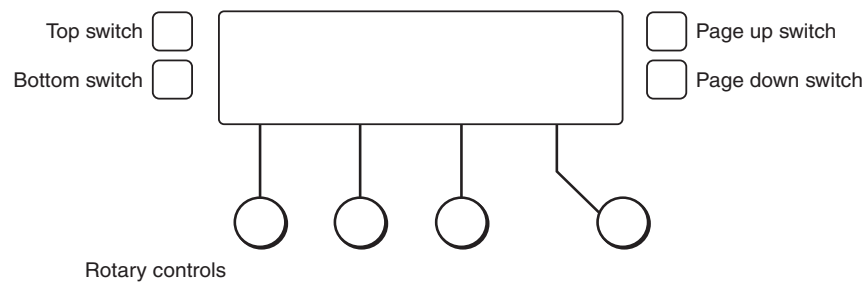
—LCD Management Menus for LDK 23HS and LDK 23HS mkII—

| Page No. | Parameter | Rotary Control 1 | Rotary Control 2 | Rotary Control 3 | Rotary Control 4 | Top Switch | Bottom Switch |
|----------------------------|-----------------------|------------------|------------------|------------------|------------------|---|---------------|
| <u>Setup</u> | | | | | | | |
| 1 | Black Stretch | Level | None | None | None | Black Stretch on/off | None |
| 2 | Matrix | None | None | None | None | Scroll Up (B/W;VAR1;VAR2;1:1;EBU;BBC;SKIN;RAI) | Scroll Down |
| 3 | Aspect Ratio | None | None | None | None | MCP/Ext. | 16:9/4:3 |
| <u>LDK 23 HS</u> | | | | | | | |
| 4a | Auto Light | None | None | None | None | Auto Light on/off | None |
| 5a | Combine | None | None | None | None | Combine on/off | None |
| <u>LDK 23 HS mkII</u> | | | | | | | |
| 4b | Disk Recording | None | None | None | None | EVS/STD | None |
| 5b | Lighting | None | None | None | None | Optimal/Good/Fair/Poor/Extreme | None |
| 6b | Combine | None | None | None | None | Combine on/off | None |
| <u>Maintenance</u> | | | | | | | |
| 1 | Timing | H-phase | Subc. Fine | Subc. Coarse | None | Timing on/off | None |
| 2 | Lens ** | Remote Zoom | None | Remote Focus | None | Lens Loc./rem. | None |
| 3 | Audio | Audio 1 Level | None | Audio 2 Level | None | Source Ext./MCP | None |
| 4 | Camera Power | None | None | None | None | Cable Power on/off | None |
| 5 | Max. User Level | None | None | None | None | Scroll Up (0;1;2;3;4) | Scroll Down |
| 6 | Iris peak/average *** | None | P/A | None | None | None | None |
| 7 | Heater | None | None | None | None | Heater on/off | None |
| 8 | On air lamp | None | Dim level | None | None | Enable/disable | None |
| <u>Diagnose</u> | | | | | | | |
| 1 | MCP version No. | None | None | None | None | None | None |
| 2 | Head version No. | None | None | None | None | None | None |
| 3 | Base version No. | None | None | None | None | None | None |
| 4 | OCP version No. | None | None | None | None | None | None |
| 5 | Test Keys * | None | None | None | None | None | None |
| 6 | Test Rotaries * | None | None | None | None | None | None |
| 7 | Test LEDs * | None | None | None | None | None | None |
| 8 | Test Screen * | None | None | None | None | None | None |
| 9 | Lens Type | None | None | None | None | None | None |
| <u>System Installation</u> | | | | | | | |
| 1 | OCP Var. Blk. Str. | None | None | None | None | Yes/No | None |
| 2 | OCP Var. Gamma | None | None | None | None | Yes/No | None |
| 3 | OCP Var. Flare | None | None | None | None | Yes/No | None |
| 4 | OCP Var. Sat. | None | None | None | None | Yes/No | None |
| 5 | OCP White clip | None | None | None | None | Yes/No | None |
| 6 | OCP Knee Slope | None | None | None | None | Yes/No | None |
| 7 | OCP Knee Point | None | None | None | None | Yes/No | None |
| 8 | OCP Iris | None | None | None | None | Normal/reverse | None |
| 9 | OCP Lock | None | None | None | None | Total/upper | None |
| 10 | Black contrast | None | None | None | None | Stretch/Press | None |
| 11 | Standard Definition | None | None | None | None | Factory/Customer | None |
| 12 | Recall Install File | None | None | None | None | Execute Recall | None |
| 13 | Store Install File | None | None | None | None | Execute Store | None |

... continued

- *** When Auto Iris is ON
- ** Only with Large Lens Adaptor
- * Exit test by pressing Preview

| Page No. | Parameter | Rotary Control 1 | Rotary Control 2 | Rotary Control 3 | Rotary Control 4 | Top Switch | Bottom Switch |
|--|-------------------|------------------|------------------|-------------------|------------------|-----------------------|---------------|
| <u>MCP Installation</u> | | | | | | | |
| 1 | Call Buzzer | None | None | None | None | On/off | None |
| 2 | Key Click | None | None | None | None | On/off | None |
| 3 | MCP Panel Lock | None | None | None | None | Upper/Total | None |
| 4 | Brightness LCD | Backlight LCD | Contrast | Backlight 7-segm. | None | None | None |
| 5 | Brightness LEDs | All LEDs | On-air Red | On-air Yellow | None | None | None |
| 6 | Camera Preset | None | None | None | None | Scroll Up | Scroll Down |
| <i>(No Cam.:1;2;3;4;5;6;7;8;9;10;11;12;13;14;15)</i> | | | | | | | |
| 7 | Mon. Preset 1 | None | None | None | None | Scroll Up | Scroll Down |
| 8 | Mon. Preset 2 | None | None | None | None | Scroll Up | Scroll Down |
| <i>(R;G;B;Sup;CVBS;Seq;Y;ext1;ext2;Yext1;Yext2)</i> | | | | | | | |
| 9 | Scene File Recall | None | None | None | None | Direct/recall | None |
| 10 | PXM Follow | None | None | None | None | On/off | None |
| 11 | Indicator Range | None | None | None | None | 00 to 99 / -99 to +99 | None |
| 12 | MCP Number | None | None | None | None | Up | Down |
| <i>(MCP1;MCP2;MCP3)</i> | | | | | | | |



LCD Function Control Menus for LDK 100

| Page No. | Parameter | Rotary Control 1 | Rotary Control 2 | Rotary Control 3 | Rotary Control 4 | Top Switch | Bottom Switch |
|----------------------|-------------------|--------------------|------------------|------------------|------------------|---|----------------------------------|
| <u>Black</u> | | | | | | | |
| 1 | Black Level | Red | Green | Blue | Master | None | None |
| <u>Flare</u> | | | | | | | |
| 1 | Flare Level | Red | Green | Blue | None | None | None |
| <u>Gamma</u> | | | | | | | |
| 1 | Gamma XXX* | Red | Green | Blue | Master | Scroll Up (ARD;CCIR;RAI;6xARD;BBC04;BBC05;BBC06) | Scroll Down |
| <u>Gain</u> | | | | | | | |
| 1 | Gain Level | Red | Green | Blue | None | None | None |
| <u>White Shading</u> | | | | | | | |
| 1 | None | None | None | None | None | Shading on/off | None |
| 2 | Red Hor. | Sawtooth | Parabola | Gain | None | Shading on/off | None |
| 3 | Red Vert. | Sawtooth | Parabola | Gain | None | Shading on/off | None |
| 4 | Green Hor. | Sawtooth | Parabola | None | None | Shading on/off | None |
| 5 | Green Vert. | Sawtooth | Parabola | None | None | Shading on/off | None |
| 6 | Blue Hor. | Sawtooth | Parabola | Gain | None | Shading on/off | None |
| 7 | Blue Vert. | Sawtooth | Parabola | Gain | None | Shading on/off | None |
| <u>Knee</u> | | | | | | | |
| 1 | Knee Slope Point* | None | None | Slope | Point | None | None |
| 2 | Desat | None | None | None | Level | Desat On/Off | None |
| 3 | Source | None | None | None | None | Y/NAM | None |
| <u>Contour</u> | | | | | | | |
| 1 | Level | Level Dependency | None | Vertical Level | Contour Level | Contour var./off | None |
| 2 | Freq. | Coarse/fine Level | None | Noise Slicer | Contour Level | Contour var./off | None |
| 3 | Soft | Soft Contour Level | None | None | Contour Level | Soft Cont. on/off | None |
| 4 | Knee Contour | None | None | None | Contour Level | 1..4/Off | None |
| 5 | Source | None | None | None | Contour Level | Scroll Up | Scroll Down (R;G;Y;AverageRG) |
| <u>Skin Contour</u> | | | | | | | |
| 1 | Skin1 | Skin Level | None | None | Cont. Level | Skin Cont. 1 on/off | Skin Auto. on/off/Win |
| 2 | Window 1 | Skin Window Red | None | Skin Window Blue | Contour Level | Skin Cont. 1 on/off | View/No View |
| 3 | Colour 1 | Skin Colour Red | None | Skin Colour Blue | Contour Level | Skin Cont. 1 on/off | View/No View |
| 4 | Skin 2 | Skin Level | None | None | Cont. Level | Skin Cont. 2 on/off | Skin Auto. on/off/Win |
| 5 | Window 2 | Skin Window Red | None | Skin Window Blue | Contour Level | Skin Cont. 2 on/off | View/No View |
| 6 | Colour 2 | Skin Colour Red | None | Skin Colour Blue | Contour Level | Skin Cont. 2 on/off | View/No View |
| <u>White Clip</u> | | | | | | | |
| 1 | White Clip | None | None | None | Master | White Clip on/off | None |
| <u>Exposure</u> | | | | | | | |
| 1 | Exposure Time* | Exposure Control | None | Lighting Control | None | None | None |
| <u>Encoding</u> | | | | | | | |
| 1 | Chroma | Saturation | None | None | None | Chroma on/off | None |
| 2 | Notch | Depth | None | None | None | Notch on/off | None |
| <u>Transfer</u> | | | | | | | |
| 1 | Transfer** | None | None | None | None | Execute | None |

* depends on the selection made with the up/down switch

** select cameras with the camera select switches

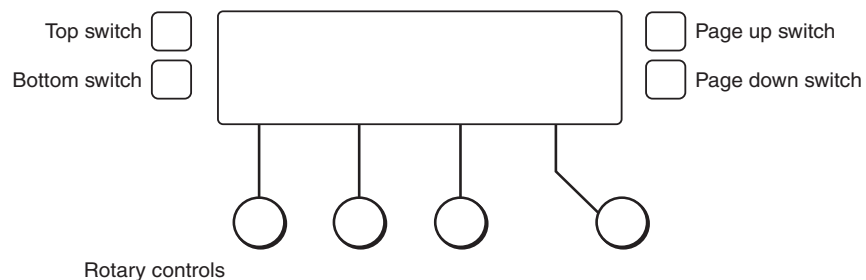
LCD Management Menus for LDK 100

| Page No. | Parameter | Rotary Control 1 | Rotary Control 2 | Rotary Control 3 | Rotary Control 4 | Top Switch | Bottom Switch |
|----------------------------|-----------------------|------------------|------------------|------------------|------------------|---|---------------|
| <u>Setup</u> | | | | | | | |
| 1 | Black Stretch | Level | None | None | None | Black Stretch on/off | None |
| 2 | Matrix | None | None | None | None | Scroll Up (CFL;B/W;VAR1;VAR2;1:1;EBU;BBC;SKIN;RAI) | Scroll Down |
| 3 | Mtx R | None | G->R | B->R | None | None | None |
| 4 | Mtx G | None | R->G | B->G | None | None | None |
| 5 | Mtx B | None | R->B | G->B | None | None | None |
| 6 | Matrix sequence | None | None | None | None | M->G/G->M | None |
| 7 | Aspect Ratio | None | None | None | None | MCP/Ext. | 16:9/4:3 |
| <u>Maintenance</u> | | | | | | | |
| 1 | Timing | H-phase | Subc. Fine | Subc. Coarse | None | Timing on/off | None |
| 2 | Lens ** | Remote Zoom | None | Remote Focus | None | Lens Loc./rem. | None |
| 3 | Audio | Audio 1 Level | None | Audio 2 Level | None | Source Ext./MCP | None |
| 4 | Camera Power | None | None | None | None | Cable Power on/off | None |
| 5 | Camera Disable | None | None | None | None | On/Off | None |
| 6 | Iris peak/average *** | None | P/A | None | None | None | None |
| 7 | On air lamp | None | Dim level | None | None | Enable/disable | None |
| <u>Diagnose</u> | | | | | | | |
| 1 | MCP version No. | None | None | None | None | None | None |
| 2 | Head version No. | None | None | None | None | None | None |
| 3 | Base version No. | None | None | None | None | None | None |
| 4 | OCP version No. | None | None | None | None | None | None |
| 5 | Test Keys * | None | None | None | None | None | None |
| 6 | Test Rotaries * | None | None | None | None | None | None |
| 7 | Test LEDs * | None | None | None | None | None | None |
| 8 | Test Screen * | None | None | None | None | None | None |
| 9 | Lens Type ** | None | None | None | None | None | None |
| <u>System Installation</u> | | | | | | | |
| 1 | OCP Var. Blk. Str. | None | None | None | None | Yes/No | None |
| 2 | OCP Var. Gamma | None | None | None | None | Yes/No | None |
| 3 | OCP Var. Flare | None | None | None | None | Yes/No | None |
| 4 | OCP Var. Sat. | None | None | None | None | Yes/No | None |
| 5 | OCP White clip | None | None | None | None | Yes/No | None |
| 6 | OCP Knee Slope | None | None | None | None | Yes/No | None |
| 7 | OCP Knee Point | None | None | None | None | Yes/No | None |
| 8 | OCP Iris | None | None | None | None | Normal/reverse | None |
| 9 | OCP Lock | None | None | None | None | Total/upper | None |
| 10 | Black contrast | None | None | None | None | Stretch/Press | None |
| 11 | Standard Definition | None | None | None | None | Factory/Customer | None |
| 12 | Recall Install File | None | None | None | None | Execute Recall | None |
| 13 | Store Install File | None | None | None | None | Execute Store | None |

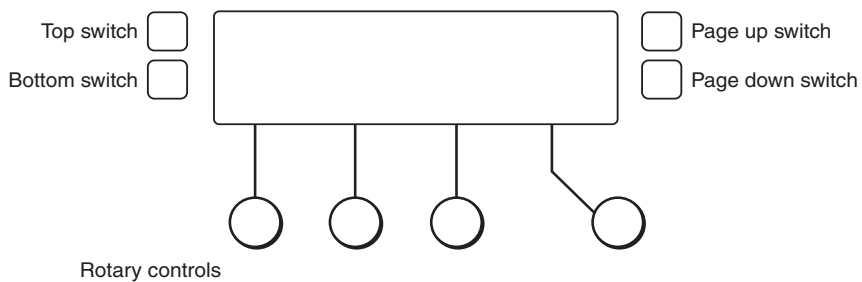
*** When Auto Iris is ON

** Only with Large Lens Adaptor

* Exit test by pressing Preview



| Page No. | Parameter | Rotary Control 1 | Rotary Control 2 | Rotary Control 3 | Rotary Control 4 | Top Switch | Bottom Switch |
|-------------------------|-------------------|------------------|------------------|-------------------|------------------|---|---------------|
| <u>MCP Installation</u> | | | | | | | |
| 1 | Call Buzzer | None | None | None | None | On/off | None |
| 2 | Key Click | None | None | None | None | On/off | None |
| 3 | MCP Panel Lock | None | None | None | None | Upper/Total | None |
| 4 | Brightness LCD | Backlight LCD | Contrast | Backlight 7-segm. | None | None | None |
| 5 | Brightness LEDs | All LEDs | On-air Red | On-air Yellow | None | None | None |
| 6 | Camera Preset | None | None | None | None | Scroll Up | Scroll Down |
| 7 | Mon. Preset 1 | None | None | None | None | (No Cam.;1;2;3;4;5;6;7;8;9;10;11;12;13;14;15) | Scroll Up |
| 8 | Mon. Preset 2 | None | None | None | None | Scroll Up | Scroll Down |
| 9 | Scene File Recall | None | None | None | None | Direct/recall | None |
| 10 | PXM Follow | None | None | None | None | On/off | None |
| 11 | Indicator Range | None | None | None | None | 00 to 99 / -99 to +99 | None |
| 12 | MCP Preset Nr. | None | None | None | None | MCP1..MCP3 | None |



LCD Function Control Menus for LDK 200

| Page No. | Parameter | Rotary Control 1 | Rotary Control 2 | Rotary Control 3 | Rotary Control 4 | Top Switch | Bottom Switch |
|----------------------|-------------------|--------------------|------------------|------------------|------------------|---|----------------------------------|
| <u>Black</u> | | | | | | | |
| 1 | Black Level | Red | Green | Blue | Master | None | None |
| <u>Flare</u> | | | | | | | |
| 1 | Flare Level | Red | Green | Blue | None | None | None |
| <u>Gamma</u> | | | | | | | |
| 1 | Gamma XXX* | Red | Green | Blue | Master | Scroll Up (ARD;CCIR;RAI;6xARD;BBC04;BBC05;BBC06) | Scroll Down |
| <u>Gain</u> | | | | | | | |
| 1 | Gain Level | Red | Green | Blue | None | None | None |
| <u>White Shading</u> | | | | | | | |
| 1 | None | None | None | None | None | Shading on/off | None |
| 2 | Red Hor. | Sawtooth | Parabola | Gain | None | Shading on/off | None |
| 3 | Red Vert. | Sawtooth | Parabola | Gain | None | Shading on/off | None |
| 4 | Green Hor. | Sawtooth | Parabola | None | None | Shading on/off | None |
| 5 | Green Vert. | Sawtooth | Parabola | None | None | Shading on/off | None |
| 6 | Blue Hor. | Sawtooth | Parabola | Gain | None | Shading on/off | None |
| 7 | Blue Vert. | Sawtooth | Parabola | Gain | None | Shading on/off | None |
| 8 | Range extender | Red | Green | Blue | None | None | None |
| <u>Knee</u> | | | | | | | |
| 1 | Knee Slope Point* | None | None | Slope | Point | None | None |
| 2 | Desat | None | None | None | Level | Desat On/Off | None |
| 3 | Source | None | None | None | None | Y/NAM | None |
| <u>Contour</u> | | | | | | | |
| 1 | Level | Level Dependency | None | Vertical Level | Contour Level | Contour var./off | None |
| 2 | Freq. | Coarse/fine Level | None | Noise Slicer | Contour Level | Contour var./off | None |
| 3 | Soft | Soft Contour Level | None | None | Contour Level | Soft Cont. on/off | None |
| 4 | Knee Contour | None | None | None | Contour Level | 1..4/Off | None |
| 5 | Source | None | None | None | Contour Level | Scroll Up | Scroll Down (R;G;Y;AverageRG) |
| <u>Skin Contour</u> | | | | | | | |
| 1 | Skin1 | Skin Level | None | None | Cont. Level | Skin Cont. 1 on/off | Skin Auto. on/off/Win |
| 2 | Window 1 | Skin Window Red | None | Skin Window Blue | Contour Level | Skin Cont. 1 on/off | View/No View |
| 3 | Colour 1 | Skin Colour Red | None | Skin Colour Blue | Contour Level | Skin Cont. 1 on/off | View/No View |
| 4 | Skin 2 | Skin Level | None | None | Cont. Level | Skin Cont. 2 on/off | Skin Auto. on/off/Win |
| 5 | Window 2 | Skin Window Red | None | Skin Window Blue | Contour Level | Skin Cont. 2 on/off | View/No View |
| 6 | Colour 2 | Skin Colour Red | None | Skin Colour Blue | Contour Level | Skin Cont. 2 on/off | View/No View |
| <u>White Clip</u> | | | | | | | |
| 1 | White Clip | None | None | None | Master | White Clip on/off | None |
| <u>Exposure</u> | | | | | | | |
| 1 | Exposure Time* | Exposure Control | None | Lighting Control | None | None | None |
| <u>Encoding</u> | | | | | | | |
| 1 | Chroma | Saturation | None | None | None | Chroma on/off | None |
| 2 | Notch | Depth | None | None | None | Notch on/off | None |
| <u>Transfer</u> | | | | | | | |
| 1 | Transfer** | None | None | None | None | Execute | None |

* depends on the selection made with the up/down switch

** select cameras with the camera select switches

LCD Management Menus for LDK 200

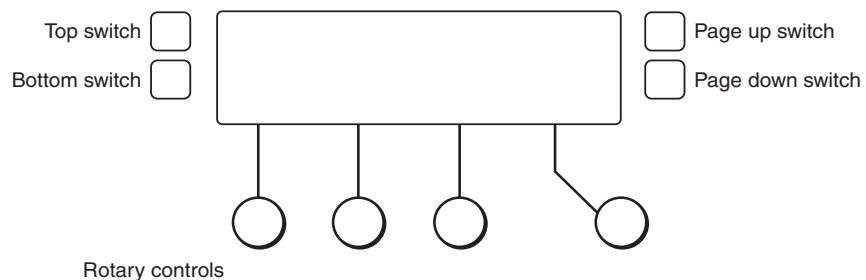
| Page No. | Parameter | Rotary Control 1 | Rotary Control 2 | Rotary Control 3 | Rotary Control 4 | Top Switch | Bottom Switch |
|---|-----------------------|------------------|------------------|------------------|------------------|----------------------|---------------|
| <u>Setup</u> | | | | | | | |
| 1 | Black Stretch | Level | None | None | None | Black Stretch on/off | None |
| 2 | Matrix | None | None | None | None | Scroll Up | Scroll Down |
| <i>(CFL;B/W;VAR1;VAR2;1:1;EBU;BBC;SKIN;RAI)</i> | | | | | | | |
| 3 | Mtx R | None | G->R | B->R | None | None | None |
| 4 | Mtx G | None | R->G | B->G | None | None | None |
| 5 | Mtx B | None | R->B | G->B | None | None | None |
| 6 | Matrix sequence | None | None | None | None | M->G/G->M | None |
| 7 | Aspect Ratio | None | None | None | None | MCP/Ext. | 16:9/4:3 |
| <u>Maintenance</u> | | | | | | | |
| 1 | Timing | H-phase | Subc. Fine | Subc. Coarse | None | Timing on/off | None |
| 2 | Lens ** | Remote Zoom | None | Remote Focus | None | Lens Loc./rem. | None |
| 3 | Audio | Audio 1 Level | None | Audio 2 Level | None | Source Ext./MCP | None |
| 4 | Camera Power | None | None | None | None | Cable Power on/off | None |
| 5 | Camera Disable | None | None | None | None | On/Off | None |
| 6 | Iris peak/average *** | None | P/A | None | None | None | None |
| 7 | On air lamp | None | Dim level | None | None | Enable/disable | None |
| <u>Diagnose</u> | | | | | | | |
| 1 | MCP version No. | None | None | None | None | None | None |
| 2 | Head version No. | None | None | None | None | None | None |
| 3 | Base version No. | None | None | None | None | None | None |
| 4 | OCP version No. | None | None | None | None | None | None |
| 5 | Test Keys * | None | None | None | None | None | None |
| 6 | Test Rotaries * | None | None | None | None | None | None |
| 7 | Test LEDs * | None | None | None | None | None | None |
| 8 | Test Screen * | None | None | None | None | None | None |
| 9 | Lens Type ** | None | None | None | None | None | None |
| <u>System Installation</u> | | | | | | | |
| 1 | OCP Var. Blk. Str. | None | None | None | None | Yes/No | None |
| 2 | OCP Var. Gamma | None | None | None | None | Yes/No | None |
| 3 | OCP Var. Flare | None | None | None | None | Yes/No | None |
| 4 | OCP Var. Sat. | None | None | None | None | Yes/No | None |
| 5 | OCP White clip | None | None | None | None | Yes/No | None |
| 6 | OCP Knee Slope | None | None | None | None | Yes/No | None |
| 7 | OCP Knee Point | None | None | None | None | Yes/No | None |
| 8 | OCP Iris | None | None | None | None | Normal/reverse | None |
| 9 | OCP Lock | None | None | None | None | Total/upper | None |
| 10 | Black contrast | None | None | None | None | Stretch/Press | None |
| 11 | Standard Definition | None | None | None | None | Factory/Customer | None |
| 12 | Recall Install File | None | None | None | None | Execute Recall | None |
| 13 | Store Install File | None | None | None | None | Execute Store | None |

*** When Auto Iris is ON

** Only with Large Lens Adaptor

* Exit test by pressing Preview

| Page No. | Parameter | Rotary Control 1 | Rotary Control 2 | Rotary Control 3 | Rotary Control 4 | Top Switch | Bottom Switch |
|-------------------------|-------------------|------------------|------------------|-------------------|------------------|--|---------------|
| <u>MCP Installation</u> | | | | | | | |
| 1 | Call Buzzer | None | None | None | None | On/off | None |
| 2 | Key Click | None | None | None | None | On/off | None |
| 3 | MCP Panel Lock | None | None | None | None | Upper/Total | None |
| 4 | Brightness LCD | Backlight LCD | Contrast | Backlight 7-segm. | None | None | None |
| 5 | Brightness LEDs | All LEDs | On-air Red | On-air Yellow | None | None | None |
| 6 | Camera Preset | None | None | None | None | Scroll Up | Scroll Down |
| 7 | Mon. Preset 1 | None | None | None | None | (No Cam.;1;2;3;4;5;6;7;8;9;10;11;12;13;14;15) Scroll Up | Scroll Down |
| 8 | Mon. Preset 2 | None | None | None | None | Scroll Up | Scroll Down |
| 9 | Scene File Recall | None | None | None | None | Direct/recall | None |
| 10 | PXM Follow | None | None | None | None | On/off | None |
| 11 | Indicator Range | None | None | None | None | 00 to 99 / -99 to +99 | None |
| 12 | MCP Preset Nr. | None | None | None | None | MCP1..MCP3 | None |



LCD Function Control Menus for LDK 6000

| Page No. | Parameter | Rotary Control 1 | Rotary Control 2 | Rotary Control 3 | Rotary Control 4 | Top Switch | Bottom Switch |
|----------------------|-------------------|--------------------|------------------|------------------|------------------|---|----------------------------------|
| <u>Black</u> | | | | | | | |
| 1 | Black Level | Red | Green | Blue | Master | None | None |
| <u>Flare</u> | | | | | | | |
| 1 | Flare Level | Red | Green | Blue | None | None | None |
| <u>Gamma</u> | | | | | | | |
| 1 | Gamma XXX* | Red | Green | Blue | Master | Scroll Up (ARD;CCIR;RAI;6xARD;BBC04;BBC05;BBC06) | Scroll Down |
| <u>Gain</u> | | | | | | | |
| 1 | Gain Level | Red | Green | Blue | None | None | None |
| <u>White Shading</u> | | | | | | | |
| 1 | Shading | None | None | None | None | Shading on/off | None |
| 2 | Red Hor. | Sawtooth | Parabola | Gain | None | Shading on/off | None |
| 3 | Red Vert. | Sawtooth | Parabola | Gain | None | Shading on/off | None |
| 4 | Green Hor. | Sawtooth | Parabola | None | None | Shading on/off | None |
| 5 | Green Vert. | Sawtooth | Parabola | None | None | Shading on/off | None |
| 6 | Blue Hor. | Sawtooth | Parabola | Gain | None | Shading on/off | None |
| 7 | Blue Vert. | Sawtooth | Parabola | Gain | None | Shading on/off | None |
| <u>Knee</u> | | | | | | | |
| 1 | Knee Slope Point* | None | None | Slope | Point | None | None |
| 2 | Desat | None | None | None | Level | Desat On/Off | None |
| 3 | Source | None | None | None | None | Y/NAM | None |
| <u>Contour</u> | | | | | | | |
| 1 | Level | Level Dependency | None | Vertical Level | Contour Level | Contour var./off | None |
| 2 | Freq. | Coarse/fine Level | None | Noise Slicer | Contour Level | Contour var./off | None |
| 3 | Soft | Soft Contour Level | None | None | Contour Level | Soft Cont. on/off | None |
| 4 | Knee Contour | None | None | None | Contour Level | 1..4/Off | None |
| 5 | Source | None | None | None | Contour Level | Scroll Up | Scroll Down (R;G;Y;AverageRG) |
| <u>Skin Contour</u> | | | | | | | |
| 1 | Skin1 | Skin Level | None | None | Cont. Level | Skin Cont. 1 on/off | Skin Auto. on/off/Win |
| 2 | Window 1 | Skin Window Red | None | Skin Window Blue | Contour Level | Skin Cont. 1 on/off | View/No View |
| 3 | Colour 1 | Skin Colour Red | None | Skin Colour Blue | Contour Level | Skin Cont. 1 on/off | View/No View |
| 4 | Skin 2 | Skin Level | None | None | Cont. Level | Skin Cont. 2 on/off | Skin Auto. on/off/Win |
| 5 | Window 2 | Skin Window Red | None | Skin Window Blue | Contour Level | Skin Cont. 2 on/off | View/No View |
| 6 | Colour 2 | Skin Colour Red | None | Skin Colour Blue | Contour Level | Skin Cont. 2 on/off | View/No View |
| <u>White Clip</u> | | | | | | | |
| 1 | White Clip | None | None | None | Master | White Clip on/off | None |
| <u>Exposure</u> | | | | | | | |
| 1 | Exposure Time* | Exposure Control | None | Lighting Control | None | None | None |
| <u>Encoding</u> | | | | | | | |
| 1 | Chroma | Saturation | None | None | None | Chroma on/off | None |
| 2 | Notch* | Depth | None | None | None | Notch on/off | None |
| <u>Transfer</u> | | | | | | | |
| 1 | Transfer** | None | None | None | None | Execute | None |

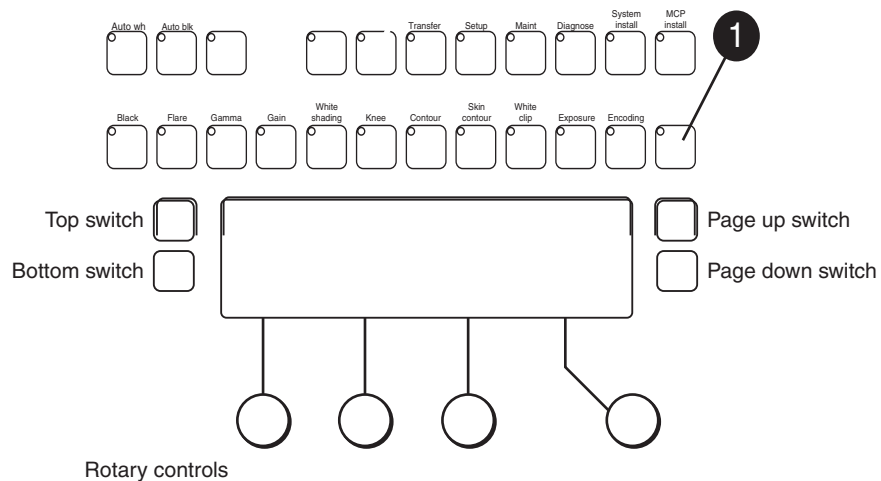
* depends on the selection made with the up/down switch

** select cameras with the camera select switches

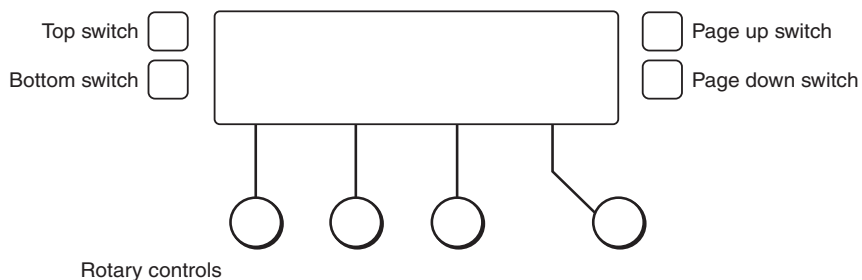
LCD Management Menus for LDK 6000

| Page No. | Parameter | Rotary Control 1 | Rotary Control 2 | Rotary Control 3 | Rotary Control 4 | Top Switch | Bottom Switch |
|----------------------------------|--------------------------------|--------------------|------------------|------------------|------------------|---|---------------|
| <u>SDTV Contour</u> ¹ | | | | | | | |
| 1 | Level | Level Dependency | None | Vertical Level | Contour Level | On/Off | None |
| 2 | Freq. | Coarse/fine Level | None | Noise Slicer | Contour Level | On/Off | None |
| 3 | Soft | Soft Contour Level | None | None | Contour Level | On/Off | None |
| <u>Setup</u> | | | | | | | |
| 1 | Black Stretch | Level | None | None | None | Black Stretch on/off | None |
| 2 | Matrix | None | None | None | None | Scroll Up (CFL;B/W;VAR1;VAR2;1:1;EBU;BBC;SKIN;RAI) | Scroll Down |
| 3 | Mtx R ² | None | G->R | B->R | None | None | None |
| 4 | Mtx G ² | None | R->G | B->G | None | None | None |
| 5 | Mtx B ² | None | R->B | G->B | None | None | None |
| 6 | Matrix sequence | None | None | None | None | M->G/G->M | None |
| 7 | Aspect Ratio | None | None | None | None | None | 16:9/4:3 |
| 8 | Video Mode ³ | None | None | None | None | Available modes | None |
| <u>Maintenance</u> | | | | | | | |
| 1 | Timing | H-phase | Subc. Fine | Subc. Coarse | None | Timing on/off | None |
| 2 | Lens ⁴ | Remote Zoom | None | Remote Focus | None | Lens Loc./rem. | None |
| 3 | Audio | Audio 1 Level | None | Audio 2 Level | None | Source Ext./MCP | None |
| 4 | Camera Power | None | None | None | None | Cable Power on/off | None |
| 5 | Camera Disable | None | None | None | None | On/Off | None |
| 6 | Iris peak/average ⁵ | None | P/A | None | None | None | None |
| 7 | On air lamp | None | Dim level | None | None | Enable/disable | None |
| <u>Diagnose</u> | | | | | | | |
| 1 | MCP version No. | None | None | None | None | None | None |
| 2 | Head version No. | None | None | None | None | None | None |
| 3 | Base version No. | None | None | None | None | None | None |
| 4 | OCP version No. | None | None | None | None | None | None |
| 5 | Test Keys ⁶ | None | None | None | None | None | None |
| 6 | Test Rotaries ⁶ | None | None | None | None | None | None |
| 7 | Test LEDs ⁶ | None | None | None | None | None | None |
| 8 | Test Screen ⁶ | None | None | None | None | None | None |
| 9 | Lens Type ⁴ | None | None | None | None | None | None |

- ¹ Use switch 1 to access the SDTV contour menu
- ² Only available if Matrix is Var1 or Var2
- ³ Press preview button on MCP to set video mode
- ⁴ Only with Large Lens Adaptor
- ⁵ When Auto Iris is ON
- ⁶ Exit test by pressing Preview



| Page No. | Parameter | Rotary Control 1 | Rotary Control 2 | Rotary Control 3 | Rotary Control 4 | Top Switch | Bottom Switch |
|----------------------------|---------------------|------------------|------------------|-------------------|------------------|--|---------------|
| <u>System Installation</u> | | | | | | | |
| 1 | OCP Var. Blk. Str. | None | None | None | None | Yes/No | None |
| 2 | OCP Var. Gamma | None | None | None | None | Yes/No | None |
| 3 | OCP Var. Flare | None | None | None | None | Yes/No | None |
| 4 | OCP Var. Sat. | None | None | None | None | Yes/No | None |
| 5 | OCP White clip | None | None | None | None | Yes/No | None |
| 6 | OCP Knee Slope | None | None | None | None | Yes/No | None |
| 7 | OCP Knee Point | None | None | None | None | Yes/No | None |
| 8 | OCP Iris | None | None | None | None | Normal/reverse | None |
| 9 | OCP Lock | None | None | None | None | Total/upper | None |
| 10 | Black contrast | None | None | None | None | Stretch/Press | None |
| 11 | Standard Definition | None | None | None | None | Factory/Customer | None |
| 12 | Recall Install File | None | None | None | None | Execute Recall | None |
| 13 | Store Install File | None | None | None | None | Execute Store | None |
| 14 | OCP contour | None | None | None | None | HDTV/SDTV | None |
| <u>MCP Installation</u> | | | | | | | |
| 1 | Call Buzzer | None | None | None | None | On/off | None |
| 2 | Key Click | None | None | None | None | On/off | None |
| 3 | MCP Panel Lock | None | None | None | None | Upper/Total | None |
| 4 | Brightness LCD | Backlight LCD | Contrast | Backlight 7-segm. | None | None | None |
| 5 | Brightness LEDs | All LEDs | On-air Red | On-air Yellow | None | None | None |
| 6 | Camera Preset | None | None | None | None | Scroll Up | Scroll Down |
| | | | | | | <i>(No Cam.;1;2;3;4;5;6;7;8;9;10;11;12;13;14;15)</i> | |
| 7 | Mon. Preset 1 | None | None | None | None | Scroll Up | Scroll Down |
| 8 | Mon. Preset 2 | None | None | None | None | Scroll Up | Scroll Down |
| | | | | | | <i>(R;G;B;Sup;CVBS;Seq;Y;ext1;ext2;Yext1;Yext2)</i> | |
| 9 | Scene File Recall | None | None | None | None | Direct/recall | None |
| 10 | PXM Follow | None | None | None | None | On/off | None |
| 11 | Indicator Range | None | None | None | None | 00 to 99 / -99 to +99 | None |
| 12 | MCP Preset Nr. | None | None | None | None | MCP1..MCP3 | None |



File Functions

Scene Files

The following list shows the functions that are stored in a scene file. The value column lists the fixed values of these functions in the standard scene file:

| Function | Value |
|-----------------|--|
| Master Gain | - 0dB |
| Gain | - R, G and B level Mid-position |
| Master Black | - Mid-position |
| Black | - R, G and B level Mid-position |
| Knee | - position Variable |
| | - slope R Mid-position |
| | - slope M Minimum |
| | - slope B Mid-position |
| | - point R Mid-position |
| | - point M 12 |
| | - point B Mid-position |
| Gamma | - position 1 |
| | - R, G, B and M level 76 |
| Contour | - position Variable |
| | - level Mid-position |
| | - coarse/fine 25 |
| | - noise slicer 06 |
| | - level depend Mid-position |
| | - V-level Mid-position |
| Soft Contour | - position On |
| | - level 70 |
| Skin Contour | - position Off |
| | - view Off |
| | - level Minimum |
| Flare | - position On |
| | - R, G and B level 15 |
| Matrix | - Matrix 2 (on) Skin |
| White Clipper: | - position: On |
| | - R, M and B level 60 (=102%) |
| Colour Temp. | - 3200 K |
| Black Stretch | - position Off |
| | - level Mid-pos. (10P/20P) |
| Test Sawtooth | - Off |
| Colour Bars | - Off |
| Notch | - On (LDK 10P/20P) |
| White Shading | - On |
| Filterwheel | - 1 (clear) |
| Exposure | - Nominal |
| Exp. variable | - 50.5 Hz PAL / 60.9 Hz NTSC (LDK 10) |
| | - 50.5 Hz PAL / 60.7 Hz NTSC (LDK 10P/20P) |
| Lighting select | - 0 |
| Auto Iris | - On |
| Letterbox | - Off |
| Saturation | - Mid-position (100%) |
| Chroma | - On |
| Monitoring | - CVBS |
| Black Contrast | - Stretch |
| Knee Source | - Y |
| Knee | - On |
| Desat | - 40 |
| Mat/Seq | - G > M |

AW 1 and 2 settings

Installation Files

The factory installation file contains the following values for the listed functions:

| Factory Installation File |
|--|
| OCP Control |
| Variable black stretch Yes |
| Variable gamma Yes |
| Variable flare Yes |
| Saturation Yes |
| White clip Yes |
| Knee slope Yes |
| Knee point Yes |
| Iris (norm/reverse) Normal |
| Lock (total/upper) Total |
| Lens (rem/local) Local |
| Intercom (system/isolate) System |
| Audio (MCP/Ext) External |
| Aspect ratio (4:3/16:9) - - - |
| Aspect ratio (MCP/Ext) External |

Max. user level (LDK 10P/20P only) 0

Preferred values for the above list of functions can be stored in a Customer Installation File using the System Installation menu.

