

LDK 6113

Zoom Control



User's Guide

3922 496 47321 St.00

Declaration of Conformity

We, Thomson Broadcast Solutions Nederland B.V., Kapittelweg 10, 4827 HG Breda, The Netherlands declare under our sole responsibility that this product is in compliance with the following standards:

- EN60065 : Safety
- EN55103-1 : EMC (Emission)
- EN55103-2 : EMC (Immunity)

following the provisions of:

- a. the Safety Directives 73/23/EEC and 93/68/EEC
- b. the EMC Directives 89/336/EEC and 93/68/EEC

FCC Class A Statement

This product generates, uses, and can radiate radio frequency energy and if not installed and used in accordance with the instructions, may cause interference to radio communications.

It has been tested and found to comply with the limits for a class A computing device pursuant to Subpart J of part 15 of FCC rules, which are designed to provide reasonable protection against such interference when operated in a commercial environment.

Operation of this product in a residential area is likely to cause interference in which case the user at his own expense will be required to take whatever measures may be required to correct the interference.

Copyright

Für diese Unterlage behalten wir uns alle Rechte vor (Gemäß DIN 34). Technische Änderungen im Zuge der Weiterentwicklung vorbehalten.

Copying of this document and giving it to others, and the use or communication of the contents thereof, are forbidden without express authority. Offenders are liable to the payment of damages. All rights are reserved in the event of the grant of a patent or the registration of a utility model or design. Liable to technical alterations in the course of further development.

Toute communication ou reproduction de ce document, toute exploitation ou communication de son contenu sont interdites, sauf autorisation expresse. Tout manquement à cette règle est illicite et expose son auteur au versement de dommages et intérêts. Tous nos droits sont réservés pour le cas de la délivrance d'un modèle d'utilité. Sous réserve de modification au cours de l'évolution technique.

LDK 6113

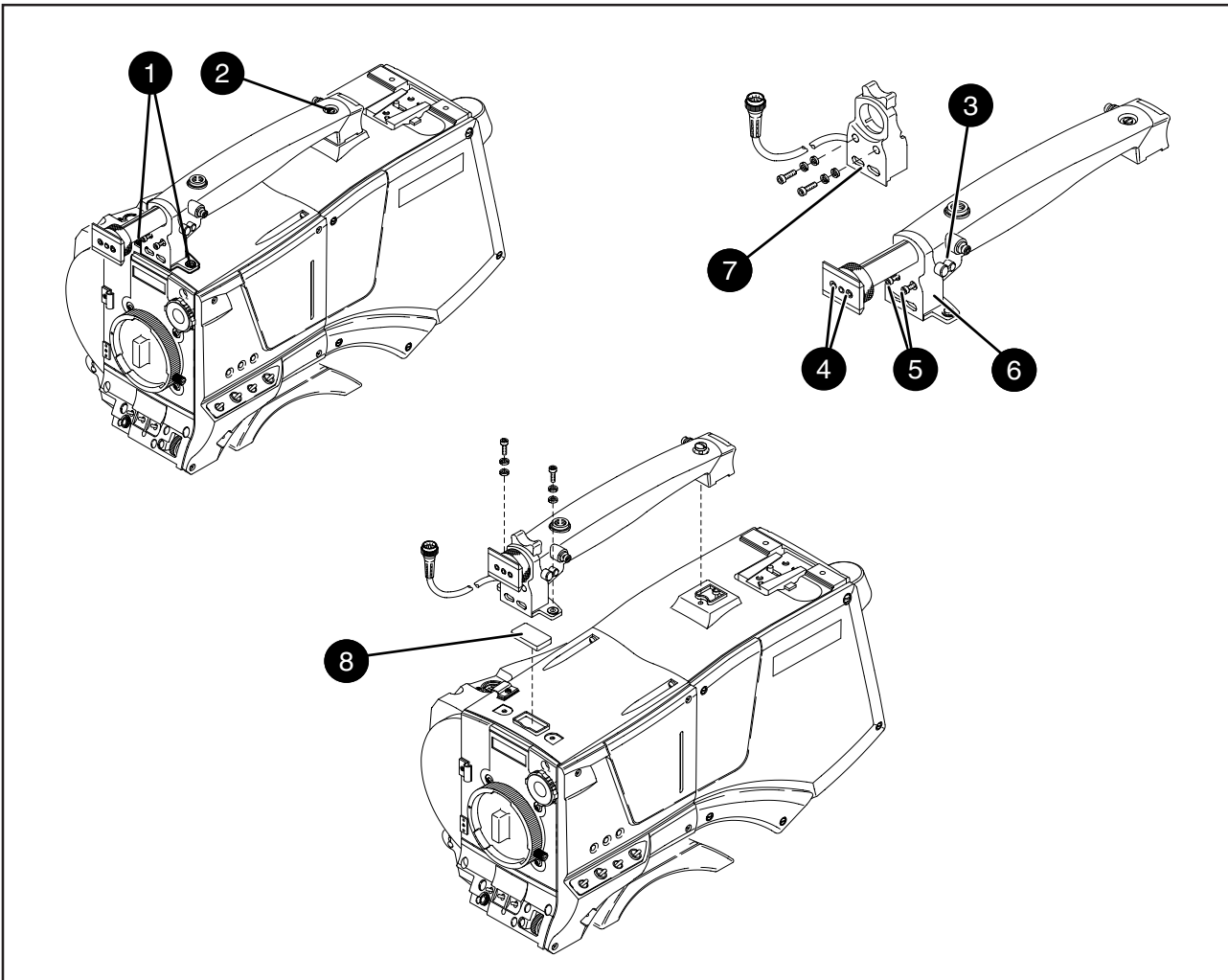
Zoom Control

User's Guide

Contents

Installation Instuction	1-2
Operator's Instruction	1-3

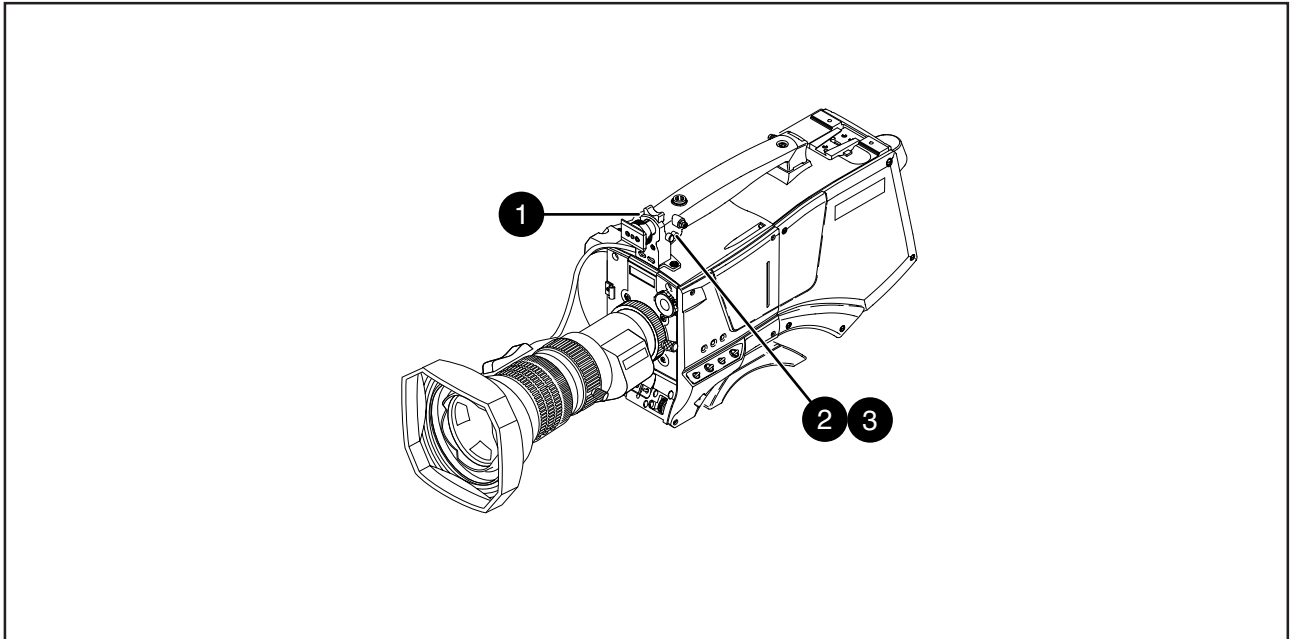
Installation Instruction



1. If mounted, remove the 1.5 inch viewfinder from its support bracket on the handgrip (see Operator's Manual of the LDK 100/200/6000 series).
2. Remove the screws ❶ securing the handgrip assembly.
3. Loosen the screw ❷ securing the handgrip assembly.
4. Loosen the retaining lever of the support bracket round bar ❸ and slide the round bar forwards. Tighten the retaining lever ❸ again.
5. Remove the two screws ❹ securing the viewfinder screw assembly and disconnect the viewfinder holder.
6. Remove the screws ❺ securing the zoom cover stand from the handgrip assembly and disconnect the zoom cover stand ❻.
7. Mount the zoom control unit ❼ and secure with screws ❺.
8. Re-mount the viewfinder holder and secure with the screws ❸.
9. Put the cover plate ❽ in its place.
10. Mount the handgrip assembly and secure with the screws ❶ and ❷.
11. Connect the zoom control cable to the lens.

Note:

Some cameras already have cover plate ❽ mounted.



❶ Zoom Control Switch

This switch zooms lens in or out.

❷ Microphone Switch

This switch (right side), when pressed sets the microphone channel to production on or off.

❸ Video Switch

This switch (left side), when pressed sets the Extern video On or Off.

