

LDK 6985/O1

Script Board with light



User's Guide

3922 496 44771 st.01

Declaration of Conformity

We, Thomson Broadcast Solutions Nederland B.V., Kapittelweg 10, 4827 HG Breda, The Netherlands declare under our sole responsibility that this product is in compliance with the following standards:

- EN60065 : Safety
- EN55103-1 : EMC (Emission)
- EN55103-2 : EMC (Immunity)

following the provisions of:

- a. the Safety Directives 73/23/EEC and 93/68/EEC
- b. the EMC Directives 89/336/EEC and 93/68/EEC

FCC Class A Statement

This product generates, uses, and can radiate radio frequency energy and if not installed and used in accordance with the instructions, may cause interference to radio communications.

It has been tested and found to comply with the limits for a class A computing device pursuant to Subpart J of part 15 of FCC rules, which are designed to provide reasonable protection against such interference when operated in a commercial environment.

Operation of this product in a residential area is likely to cause interference in which case the user at his own expense will be required to take whatever measures may be required to correct the interference.

Copyright

Für diese Unterlage behalten wir uns alle Rechte vor (Gemäß DIN 34). Technische Änderungen im Zuge der Weiterentwicklung vorbehalten.

Copying of this document and giving it to others, and the use or communication of the contents thereof, are forbidden without express authority. Offenders are liable to the payment of damages. All rights are reserved in the event of the grant of a patent or the registration of a utility model or design. Liable to technical alterations in the course of further development.

Toute communication ou reproduction de ce document, toute exploitation ou communication de son contenu sont interdites, sauf autorisation expresse. Tout manquement à cette règle est illicite et expose son auteur au versement de dommages et intérêts. Tous nos droits sont réservés pour le cas de la délivrance d'un modèle d'utilité. Sous réserve de modification au cours de l'évolution technique.

Assy script Board

User's Guide

LDK 6985/01

The Scirpt board is used with LDK (S) and LDK 4482 superXpander.

Contents

About This Manual	1-2	Parts list	1-6
Exploded View	1-5		

About This Manual

Purpose of this manual

Service policy

The LDK6985/01 is a sophisticated Script Board containing state-of-the-art electronic components which are designed to provide long-life operation without the need for maintenance. With this in mind, the service policy of Thomson Multimedia Broadcast Solutions endeavours to ensure that help will be quickly on hand in the unlikely event of anything going wrong. The guiding principles of the Thomson Multimedia Broadcast Solutions first line maintenance philosophy are speed and cost effectiveness. First line maintenance is dedicated to keeping your viewfinder operational, despite a fault, by replacement boards and the replacement of minor mechanical parts by the user.

Packing/Unpacking

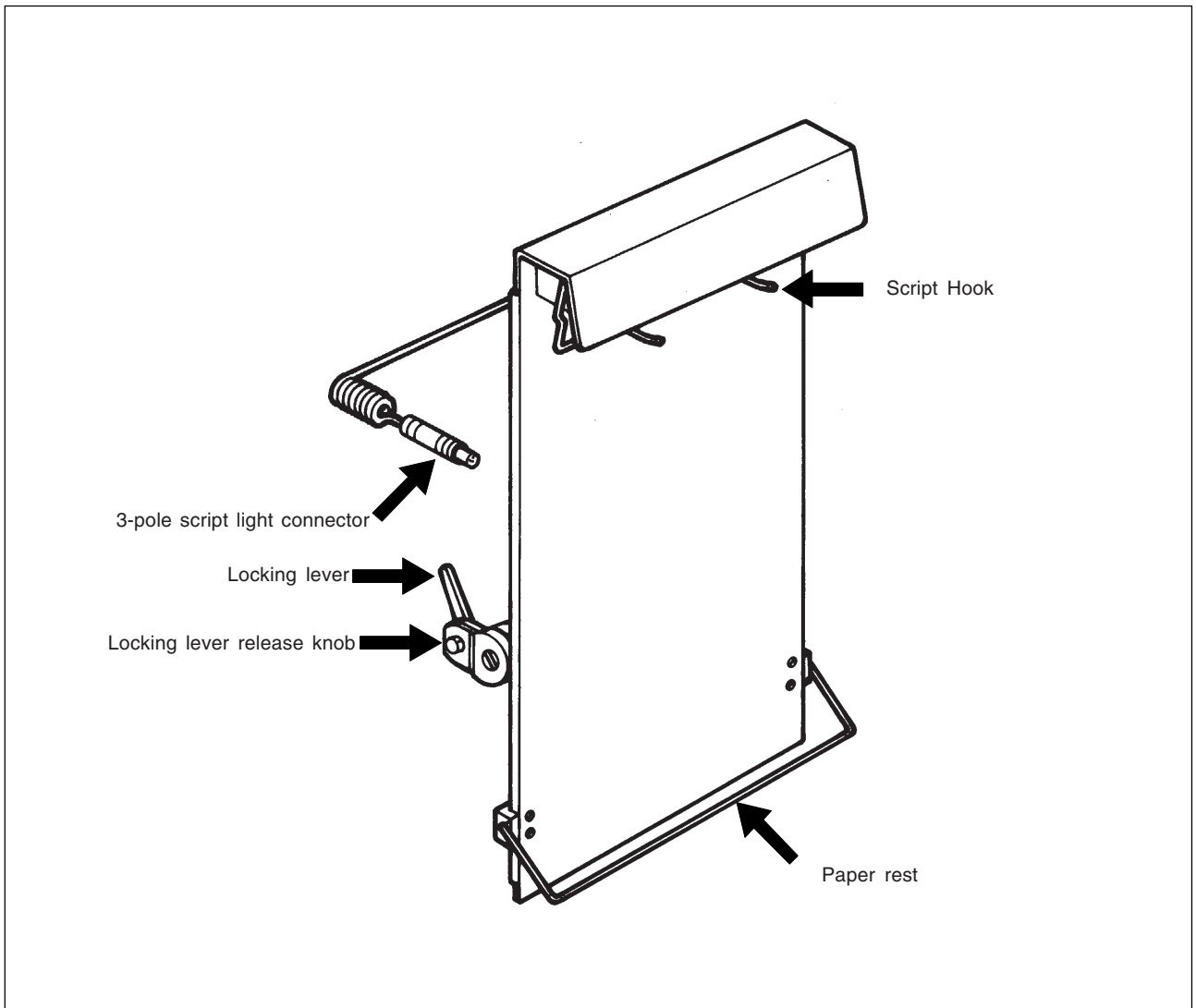
Inspect the shipping container for evidence of damage immediately after receipt. If the shipping container or cushioning material is damaged, it should be kept until the contents of the shipment have been checked for completeness and the units have been checked mechanically and electrically.

The contents of the shipment should be checked against the packing list. If the contents are incomplete, if there is mechanical damage or defect, or if the units do not perform correctly when unpacked, notify your Thomson Multimedia Broadcast Solutions sales or service centre within eight days. If the shipping container shows signs of damage or stress, notify the carrier as well.

If a unit is being returned to Thomson Multimedia Broadcast Solutions for servicing, try to use the containers and materials of the original packaging. Attach a tag indicating the type of service required, return address, model number, full serial number and the return number which will be supplied by your Thomson Multimedia Broadcast Solutions service centre.

If the original packing can no longer be used, the following general instructions should be used for repacking with commercially available materials:

- a. Wrap unit in heavy paper or plastic.
- b. Use strong shipping container.
- c. Use a layer of shock-absorbing material around all sides of the unit to provide firm cushioning and prevent movement inside container.
- d. Seal shipping container securely.
- e. Mark shipping container FRAGILE to ensure careful handling.



Mounting the Script Board

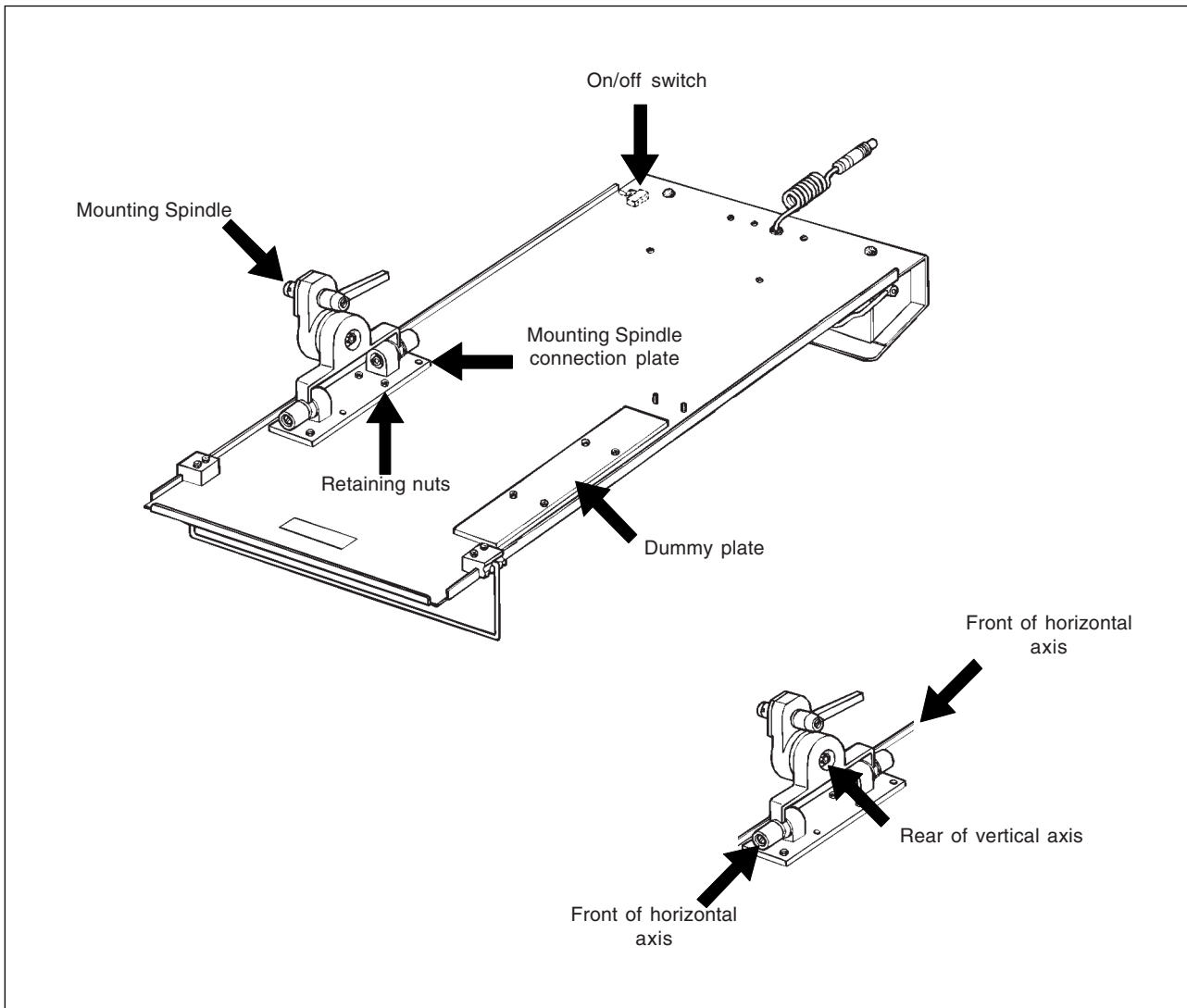
1. Turn locking lever counterclockwise to reduce the circumference of the mounting spindle.
2. Insert spindle into the holder on the camera.
3. Turn the locking lever clockwise to tighten the spindle in the holder. If necessary remove the locking lever and press the lever release knob and then tighten some more with the knurled screw and replace locking lever.
4. Connect the 3-pole connector to the script light socket on the camera.

On/off Switch

The on/off switch is a 3-position switch with an OFF position, a normal ON position, and a dimmed ON position. Choose the position best suited to your circumstances.

Positioning the Script

1. Hang the script from the two hooks provided.
2. Place the script on top of the paper rest. The paper rest can be moved back and forward under the script so that an even illumination of the paper is obtained.



Alternative Script Board Positions

The height of the script board can be changed by repositioning the mounting spindle connection plate on the rear of the script board. Several bolts are available for this purpose. Just unscsew the nuts retaining the mounting spindle connection plate, place the plate on the alternative bolts, and secure it with the nuts.

The mounting spindle connection plate can also be moved to the opposite side of the script board. Remove the dummy plate and mount the mounting spindle connection plate onto the freed bolts. Again you can choose the set of bolts that gives you the height you require. Store the dummy plate on the bolts vacated by the mounting spindle connection plate.

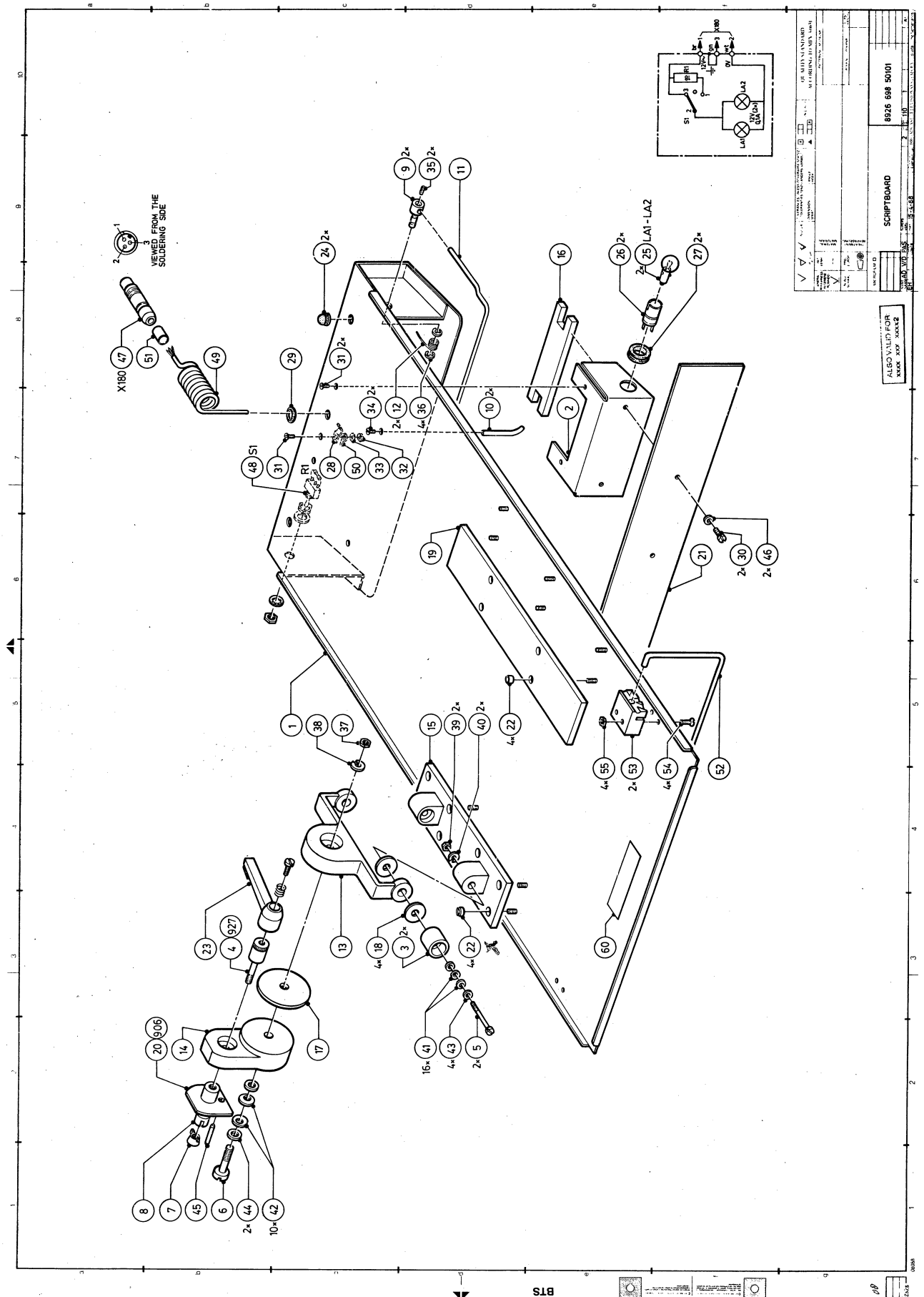
Adjusting the Friction

The force needed to tilt the script board can be changed by adjusting the friction of the rotation axes. The script board can tilt in two directions - vertically and horizontally.

Two rotation axes must be adjusted to change the horizontal friction. One rotation axis must be adjusted to change the vertical friction. The method is the same for all three rotation axes:

- a. Loosen the locking nut at the rear of the axis.
- b. Adjust the screw at the front of the axis to obtain the desired friction.
- c. Tighten the locking nut at the rear of the axis.

Exploded View



PART NO. 8926 698 5010 QUANTITY 1 DESCRIPTION SCRIPT BOARD DRAWN BY CHECKED BY APPROVED BY DATE	
PART NO. 8926 698 5010 QUANTITY 1 DESCRIPTION SCRIPT BOARD DRAWN BY CHECKED BY APPROVED BY DATE	

ALSO VALID FOR
 XXXX XXX XXXX

Parts list

SERVICE PARTS LIST					
Item	Description	Code Number	Item	Description	Code Number
1	PLATE				
2	SUPPORT	s 3922 403 42252			
3	BUSH	s 3922 404 00562			
4	STUD	s 3922 403 38281			
5	SCREW	s 3922 403 38293			
6	SCREW	s 3922 403 38302			
7	NUT	s 3922 403 38311			
8	CLAMPING BUSH	s 3922 403 38321			
9	PIN	s 3922 403 38331			
10	PIN	s 3922 403 42261			
11	BRACKET	s 3922 403 42243			
12	SPRING	s 3922 403 38361			
13	FORK	s 3922 402 02582			
14	BLOCK	s 3922 402 02592			
15	HINGE	s 3922 402 02602			
16	BLOCK	s 3922 401 22091			
17	RING	s 3922 401 17502			
18	RING	s 3922 401 17511			
19	STRIP	s 3922 401 17521			
20	PLATE	s 3922 401 17532			
21	WINDOW	s 3922 401 20523			
22	RND NUT SLOT ST ZN M3	s 2522 420 19008			
23	LEVER KNOB M6 BLK	s 5322 417 50185			
25	LAMP 12V-0,25A BA 9S	s 9235 483 17215			
26	BAJONET LAMPHOLDER	s 2413 474 02035			
28	WIRE CLAMP ST PH 1X4X10	s 2522 705 45103			
29	GROMMET INT 5,5X8X11	s 2422 015 17126			
30	CH SCR STL ST M3X8	s 5322 502 11665			
31	CSK SCR STL ST M3X10	s 5322 502 21348			
32	HEX NUT STL M3	s 5322 505 10711			
33	SPR WASH STL ST 3,1X5,7	s 4822 530 80188			
34	CSK SCR STL ST M2,5X8	s 5322 502 21201			
35	SET SCREW HEX CUP STL ST M3X3	s 5322 502 12649			
36	RETAIN RING ST BLK 4				
37	HEX NUT STL ST M6	s 2522 401 09013			
38	SPR WASH STL ST 6,1X11,1	s 5322 530 80536			
39	HEX NUT STL ST M4	s 5322 505 10511			
40	SPR WASH STL ST 4,1X7,1	s 5322 530 80658			
41	DISH SPRING 10X5,2X0,5	s 5322 492 60517			
42	DISH SPRING 16X8,2X0,6	s 5322 530 80161			
43	WASH PF-CP SH 5,3X10	s 5322 532 52448			
44	WASH SRBP 8,4X17X1,6	s 2522 600 28152			
45	DOWEL ST 5X18	s 2522 670 03072			
46	WASH ST CR 3,2X7X0,5	s 2522 600 20017			
47	CABLE PLUG 3POL	s 2432 026 00253			
48	TOGGLE SWITCH 5A 115V 1-P	s 2422 125 01188			
49	COILED CORD	s 3922 045 00262			
51	SHRINK SLEEVE RNF3000 3/1				
52	STEUN	s 3922 403 44402			
53	LOCKING	s 3922 400 05741			
54	CSK SCR STL ST M2,5X10	s 5322 502 21637			
55	HEX NUT STL ST M2,5	s 5322 505 11129			
906	RUBBER GLUE SYNTHETIC NBR 042				
927	HEAT RESITANT RETAINER 648				
R1	MLRST FLM PR02 8E2 PM5	s 2322 194 13828			

products market with "s" are available as spare part,
other parts are printed for information only.

SCRIPT BOARD WITH TOP LIGHT STUDIO CAM	ORDERING CODE: 8926 698 50101	STATUS:
	REF NR: 8926 698 50101	DATE: 1995-11-08
© Philips Digital Video Systems BV, Breda, The Netherlands	SHEET: 1 OF 1	

alt. code: LDK6985/01