

# 8960ENC

SDI TO NTSC/PAL ENCODER

Instruction Manual

SOFTWARE VERSION 8.1.0

071064205  
JUNE 2007



Affiliate with the N.V. KEMA in The Netherlands

# CERTIFICATE

Certificate Number: 510040.001

The Quality System of:

## Grass Valley, Inc.

400 Providence Mine Road  
Nevada City, CA 95945  
United States

15655 SW Greystone Ct.  
Beaverton, OR 97006  
United States

10 Presidential Way  
3<sup>rd</sup> Floor, Suite 300  
Woburn, MA 01801  
United States

Nederland B.V.  
4800 RP BREDA  
The Netherlands

Weiterstadt, Germany  
Brunnenweg 9  
D-64331 Weiterstadt  
Germany

Rennes, France  
Rue du Clos Courtel  
Cesson-Sevigne, Cedex  
France

Technopole Brest Iroise  
CS 73808  
29238 Brest Cedex 3  
France

17 rue du Petit Albi-BP 8244  
95801 Cergy Pontoise  
Cergy, France

2300 South Decker Lake Blvd.  
Salt Lake City, UT 84119  
United States

7140 Baymeadows Way  
Suite 101  
Jacksonville, FL 32256  
United States

Including its implementation, meets the requirements of the standard:

## ISO 9001:2000

Scope:

The design, manufacture and support of video hardware and software products and related systems.

This Certificate is valid until: June 14, 2009  
This Certificate is valid as of: August 30, 2006  
Certified for the first time: June 14, 2000

H. Pierre Sallé  
President  
KEMA-Registered Quality

The method of operation for quality certification is defined in the KEMA General Terms And Conditions For Quality And Environmental Management Systems Certifications. Integral publication of this certificate is allowed.

**KEMA-Registered Quality, Inc.**  
4377 County Line Road  
Chalfont, PA 18914  
Ph: (215)997-4519  
Fax: (215)997-3809  
CRT 001 073004

Accredited By:  
ANAB



# 8960ENC

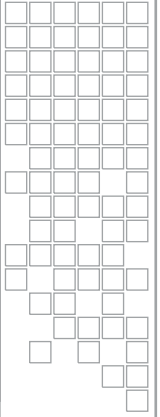
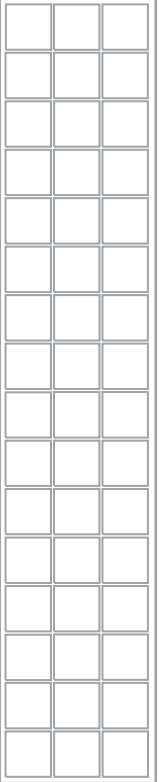
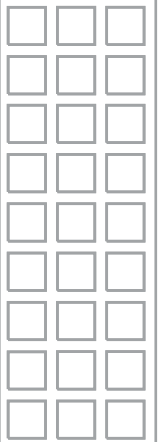
SDI TO NTSC/PAL ENCODER

Instruction Manual



SOFTWARE VERSION 8.1.0

071064205  
JUNE 2007



# Contacting Grass Valley

<b>International Support Centers</b>	<b>France 24 x 7</b>	+800 8080 2020 or +33 1 48 25 20 20 +800 8080 2020 or +33 1 48 25 20 20	<b>United States/Canada 24 x 7</b>	+1 800 547 8949 or +1 530 478 4148
<b>Local Support Centers (available during normal business hours)</b>	<b>Asia</b>	<b>Hong Kong, Taiwan, Korea, Macau:</b> +852 2531 3058 <b>Indian Subcontinent:</b> +91 22 24933476 <b>Southeast Asia/Malaysia:</b> +603 7805 3884 <b>Southeast Asia/Singapore:</b> +65 6379 1313 <b>China:</b> +861 0660 159 450 <b>Japan:</b> +81 3 5484 6868		
		<b>Australia and New Zealand:</b> +61 1300 721 495	<b>Central/South America:</b> +55 11 5509 3443	
		<b>Middle East:</b> +971 4 299 64 40 <b>Near East and Africa:</b> +800 8080 2020 or +33 1 48 25 20 20		
	<b>Europe</b>	<b>Belarus, Russia, Tadzikistan, Ukraine, Uzbekistan:</b> +7 095 2580924 225 <b>Switzerland:</b> +41 1 487 80 02 <b>S. Europe/Italy-Roma:</b> +39 06 87 20 35 28 <b>-Milan:</b> +39 02 48 41 46 58 <b>S. Europe/Spain:</b> +34 91 512 03 50 <b>Benelux/Belgium:</b> +32 (0) 2 334 90 30 <b>Benelux/Netherlands:</b> +31 (0) 35 62 38 42 1 <b>N. Europe:</b> +45 45 96 88 70 <b>Germany, Austria, Eastern Europe:</b> +49 6150 104 444 <b>UK, Ireland, Israel:</b> +44 118 923 0499		

Copyright © Grass Valley. All rights reserved.

This product may be covered by one or more U.S. and foreign patents.

## Grass Valley Web Site

The [www.thomsongrassvalley.com](http://www.thomsongrassvalley.com) web site offers the following:

**Online User Documentation** — Current versions of product catalogs, brochures, data sheets, ordering guides, planning guides, manuals, and release notes in .pdf format can be downloaded.

**FAQ Database** — Solutions to problems and troubleshooting efforts can be found by searching our Frequently Asked Questions (FAQ) database.

**Software Downloads** — Download software updates, drivers, and patches.



## END-OF-LIFE PRODUCT RECYCLING NOTICE

Grass Valley's innovation and excellence in product design also extends to the programs we've established to manage the recycling of our products. Grass Valley has developed a comprehensive end-of-life product take back program for recycle or disposal of end-of-life products. Our program meets the requirements of the European Union's WEEE Directive, the United States Environmental Protection Agency, and U.S. state and local agencies.

Grass Valley's end-of-life product take back program assures proper disposal by use of Best Available Technology. This program accepts any Grass Valley branded equipment. Upon request, a Certificate of Recycling or a Certificate of Destruction, depending on the ultimate disposition of the product, can be sent to the requester.

Grass Valley will be responsible for all costs associated with recycling and disposal, including freight. However, you are responsible for the removal of the equipment from your facility and packing the equipment to make it ready for pickup.



For further information on the Grass Valley product take back system please contact Grass Valley at + 800 80 80 20 20 or +33 1 48 25 20 20 from most other countries. In the U.S. and Canada please call 800-547-8949 or 530-478-4148, and ask to be connected to the EH&S Department. Additional information concerning the program can be found at: [www.thomsongrassvalley.com/environment](http://www.thomsongrassvalley.com/environment)



# Contents

<b>Preface</b> .....	7
About This Manual.....	7
<b>8960ENC SDI to NTSC/PAL Encoder Module</b> .....	9
Introduction.....	9
Installation.....	10
Frame Sync Submodule (8900FSS).....	10
Installation.....	10
Termination.....	10
Gecko 8900 Frame.....	11
Frame Capacity.....	11
Module Placement in the 8900 Frame.....	11
GeckoFlex Frame.....	13
Rear Module Installation.....	13
Front Module Installation.....	14
Cabling.....	15
Loop-through Input.....	15
Outputs.....	15
Reference Inputs.....	15
Power Up.....	16
Operation Indicator LEDs.....	16
Configuration.....	19
Configuration Summary.....	19
Configuration Summary Table.....	20
Local Onboard Module Configuration.....	22
Onboard Module Configuration.....	23
Adding/Deleting Setup for 525 Format.....	23
Remote Configuration and Monitoring.....	26
8900NET Module Information.....	26
Newton Control Panel Configuration.....	26
Web Browser Interface.....	27
8960ENC Links and Web Pages.....	29
Status Web Page.....	30
Standard Selection Web Page.....	31
Levels Web Page.....	34
Timing Web Page.....	37
Video Processing Web Page.....	40
Recall Factory Defaults Web Page.....	41
Slot Config Web Page.....	42
Software Updating.....	44
Equipment Required.....	44
Acquiring Software Updates.....	44
Functional Description.....	45
Serial 4:2:2 Input Stage & Output.....	45

Contents

Cross-Color Remover . . . . .	46
Synchronizer . . . . .	46
10-bit Encoder and Output Driver . . . . .	46
Color-frame Lock . . . . .	46
Microcontroller . . . . .	47
Regulator . . . . .	47
Specifications. . . . .	48
Service . . . . .	50
Status Monitoring. . . . .	51
LEDs . . . . .	51
Frame Alarm . . . . .	52
Web Browser Interface. . . . .	52
SNMP Reporting . . . . .	53
<b>Index</b> . . . . .	<b>55</b>

# *Preface*

## **About This Manual**

This manual describes the features of a specific 8900 module in the Gecko and GeckoFlex Signal Processing System families. As part of this module family, it is subject to Safety and Regulatory Compliance described in the Gecko 8900 Series frame and power supply documentation (see the *Gecko 8900 Frames* and the *GeckoFlex Frames Instruction Manuals*).





# *8960ENC SDI to NTSC/PAL Encoder Module*

## **Introduction**

The 8960ENC module is an encoder solution for converting 4:2:2 component serial digital SDI video inputs into multi-standard composite analog video signals by using 10-bit processing throughout the conversion process.

The 8960ENC features:

- 10-bit signal processing,
- 4 NTSC/PAL outputs,
- 2 reclocked SDI (Serial Digital Interface standard) outputs,
- Full-frame output phasing with 8900FSS frame sync submodule option,
- 2 reference inputs for multi-format facilities,
- EDH detection, and
- Remote interface with the 8900NET module (version 3.2.2 or later) providing support for the following:
  - Web browser configuration and control
  - SNMP trap reports for use with NetCentral and other SNMP applications
  - NetConfig Networking application
  - Newton Control Panel control

# Installation

The 8960ENC can be installed in either an 8900 Gecko or an 8900FN GeckoFlex frame. An 8900V-R rear module is required for use in the GeckoFlex frame.

If using an 8900FSS Frame Sync submodule, mount it onto the 8960ENC circuit board first below before installing the 8960ENC in the frame.

## Frame Sync Submodule (8900FSS)

An optional Frame Sync submodule is available for providing frame synchronization to an external reference. The submodule installs on the 8960ENC circuit board.

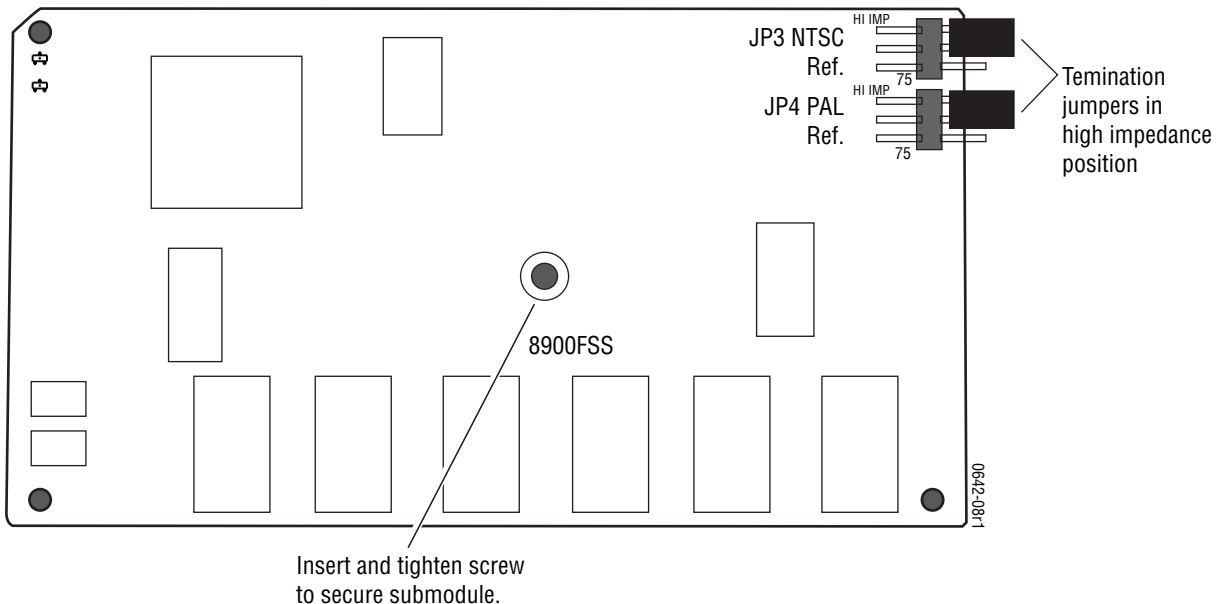
### Installation

Install the submodule onto the main circuit board by lining up the two connectors on the submodule with the connectors on the module. Make sure the connectors are aligned properly then press to seat the submodule. Insert and tighten the center screw to secure the submodule and assure that the connectors are in proper alignment.

### Termination

When used on the 8960ENC host module, the Frame Sync Submodule reference signal input termination should be set to high impedance (see [Figure 1](#)).

Figure 1. Frame Sync Submodule Reference Signal Termination Selection



## Gecko 8900 Frame

Installation of the 8960ENC module in a Gecko 8900 frame is a process of:

1. Placing the module in the proper frame slot, and
2. Cabling and terminating signal ports.

The 8960ENC module can be plugged in and removed from any Gecko 8900 frame with power on. When power is applied to the module, LED indicators reflect the initialization process (see [Power Up on page 16](#)).

### Frame Capacity

The 8960ENC module can be installed in all 8900 Series video frames but with varying maximum quantities determined by frame cooling capacity. [Table 1](#) provides the power capacity, cooling capacity, and maximum 8960ENC module count for each frame type.

*Table 1. Power, Cooling, and Module Capacity of 8900 Frames*

Capacity Calculated	8900TX Frame	8900TF-V Frame	8900TFN-V Frame
Power (W)	100	100	100
Recommended Module Cooling (W)	30	90	90
8960ENC Modules	5	10	10
8960ENC Modules with 8900FSS	X	10	10

**Note** Module capacity figures assume no other modules are in the frame.  
X = Not recommended without forced air cooling.

If you are using an 8900NET module running software version 4.0.0 or later, you may link to the 8900 Frame Status web page ([Figure 10 on page 28](#)) then select the link to the Power Supply/Demand web page for determining the power capacity for the frame. Using this function, the 8900NET module will determine how much power is being consumed and report back when power has been exceeded.

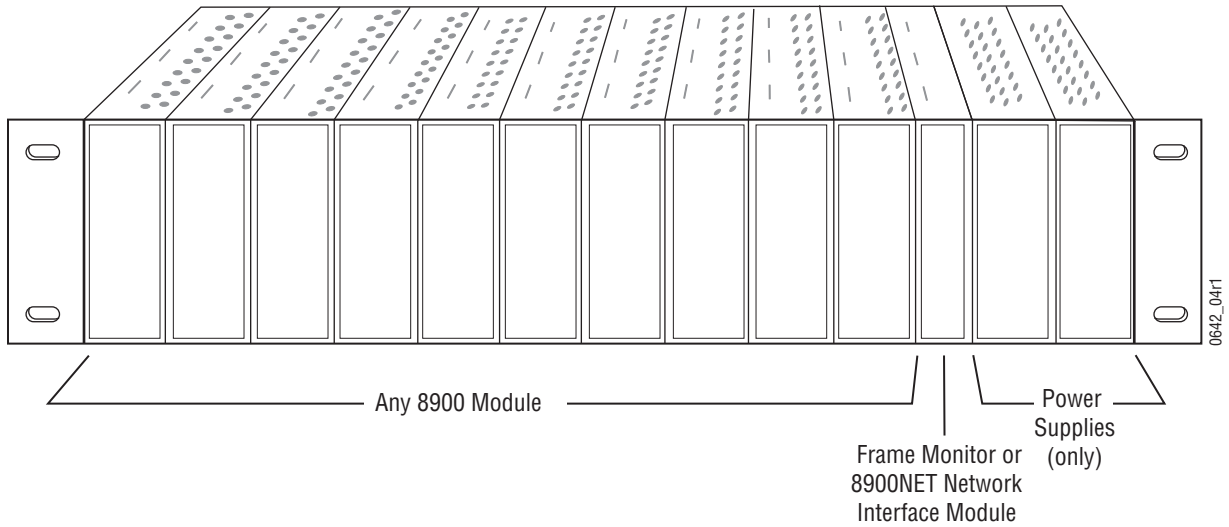
### Module Placement in the 8900 Frame

There are ten slot locations in the frame to accommodate either analog or digital modules. These are the left ten locations. Refer to [Figure 2 on page 12](#).

The two slots on the right are allocated for the power supplies. For additional information concerning the Power Supply module, refer to the *Gecko 8900 Frames Instruction Manual*.

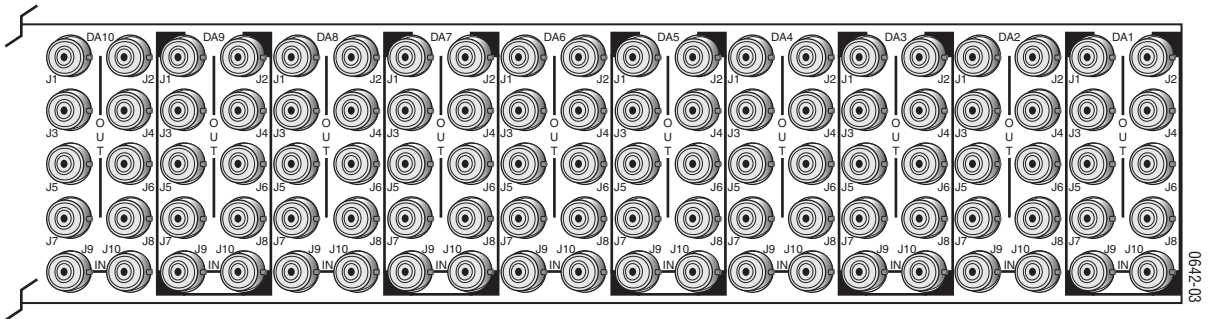
The third slot from the right is allocated for the controller module—either a Frame Monitor Module or a 8900NET Network Interface Module. For additional information concerning the controller module options, refer to the *8900NET Network Interface Module Instruction Manual*.

Figure 2. Gecko 8900 Series Frame



8900 module slots are interchangeable within the frame. There are 10 BNC connectors in each slot’s I/O group. The functional assignment of each connector in a group is determined by the module that is placed in that slot. The maximum number of modules an 8900 frame can accept is ten. [Figure 3](#) illustrates the rear connector plate for an 8900 Series frame.

Figure 3. Gecko 8900 Series Frame Rear Connector



To install a module in the frame:

1. Insert the module, connector end first, with the component side of the module facing to the right and the ejector tab to the top.
2. Verify that the module connector seats properly against the backplane.
3. Press in the ejector tab to seat the module.

## GeckoFlex Frame

Installation of the 8960ENC module in a GeckoFlex frame is a process of:

1. Installing the 8900V-R rear module into the rear of the frame,
2. Placing the 8960ENC module in the corresponding front frame slot, and
3. Cabling and terminating signal ports.

### Rear Module Installation

To install a rear module into the frame, follow these steps:

1. Each 8900V-R rear module or blank rear adapter cover is held in place by two retainer strips as shown in [Figure 4](#). Loosen (but do not remove completely) the two screws holding each retainer strip to the frame with a 2 mm (5/64") hex screwdriver. Pull up on the retainer to remove it, leaving the screws in place.

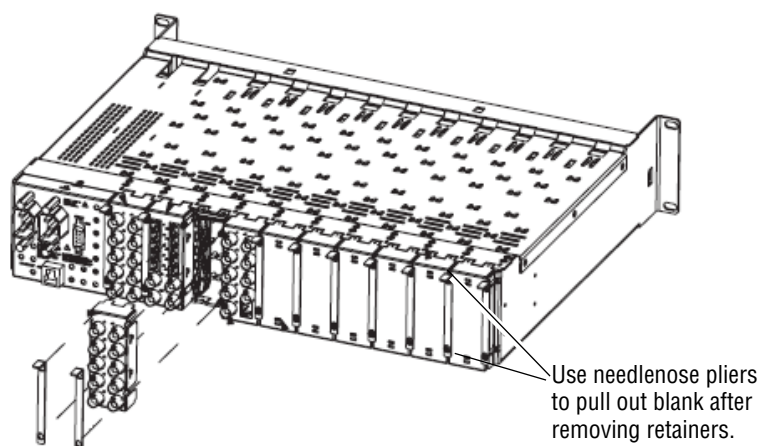
**CAUTION** Be careful to leave the screws in place as they can be easily lost or fall into equipment below the frame creating a shorting hazard.

2. Remove the blank rear adapter cover by inserting needlenose pliers into the slots in the top and bottom of the blank and pulling it off.

**Note** To remove a rear module already installed, follow the same steps. It is helpful to first remove the front module so the rear can be pulled out more easily.

3. Insert the rear module into the empty slot.
4. Replace each retainer strip over the two screws on both sides of the module and push down to seat the retainer.
5. Tighten the screws for each retainer just until they are snug. Do not force or torque the screws too tightly.

Figure 4. Installing Rear Module

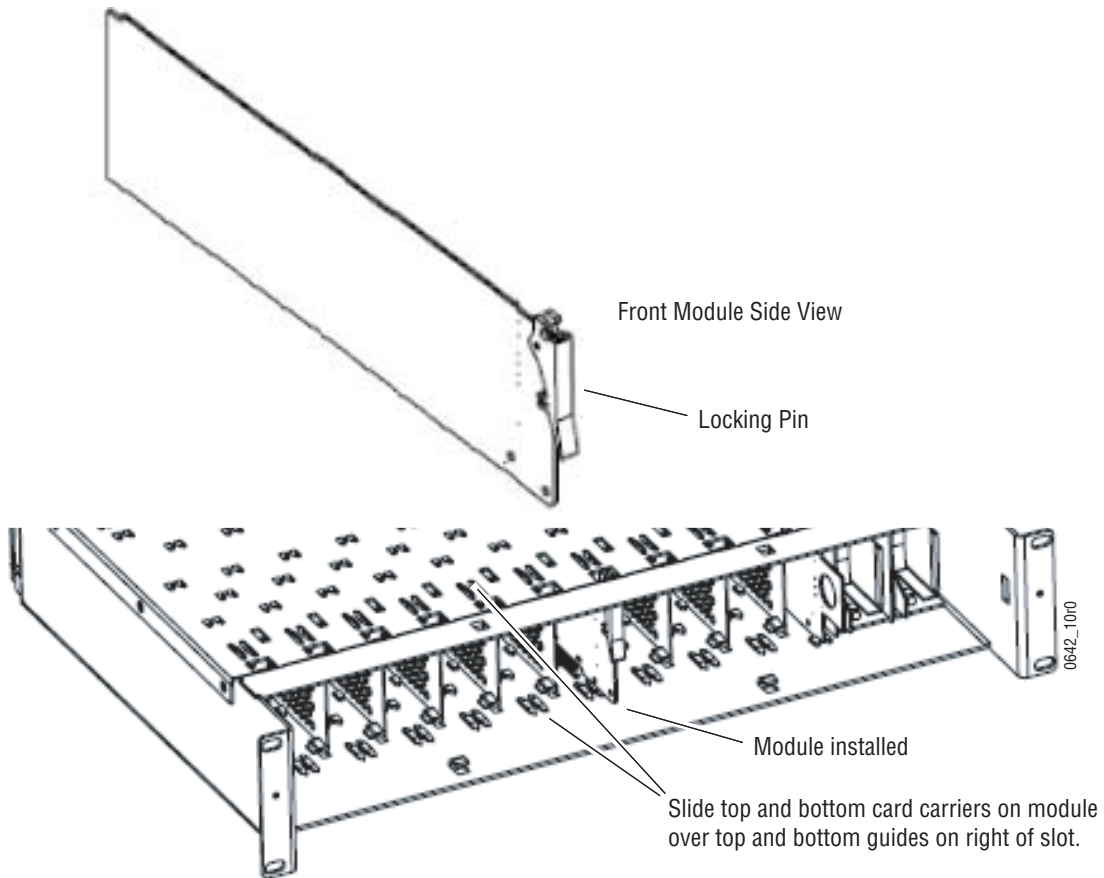


## Front Module Installation

After installing the rear module, install the front module as follows:

1. Remove the front cover of the frame if required.
2. Locate the corresponding front slot.
3. Insert the front module so that the plastic card guides on the module top and bottom edges go over the upper and lower raised rail guides on the right of the top and bottom of the slot (Figure 5).
4. Carefully slide the module into the rear connector.
5. Lock the front module ejector tab into the locking pin.

Figure 5. Front Module Installation



## Cabling

Cable the module as described below for either frame type.

### Loop-through Input

Connect an input source to one of the loop-through input connectors, J9 or J10 (see [Figure 6](#)). The 8960ENC input will accept serial digital video conforming to SMPTE 259M 10-bit, 4:2:2 component digital standard. Terminate the unused connector into 75  $\Omega$  if the signal is not looped to other equipment.

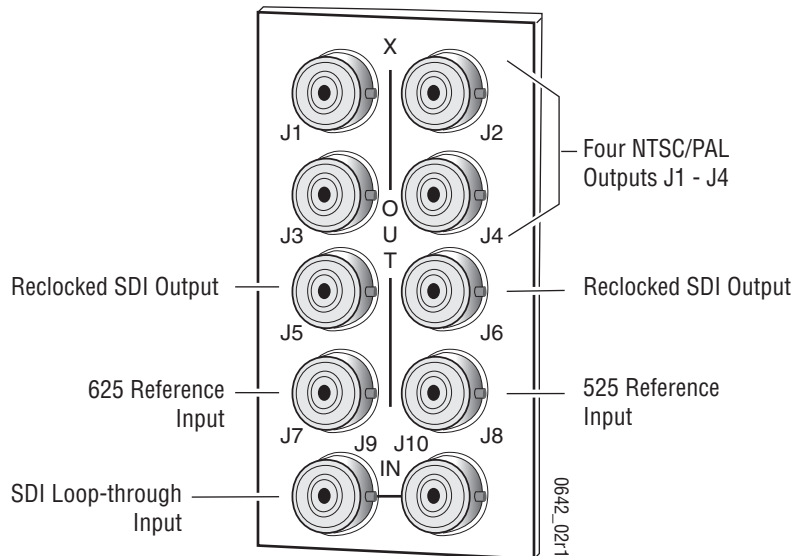
### Outputs

The 8960ENC has four analog NTSC/PAL outputs—J1 through J4. Connectors J-5 and J-6 are reclocked SDI outputs.

### Reference Inputs

Separate input BNCs are provided for either 625-line (J7) or 525-line (J8) black burst reference signals. The reference inputs are 75 ohm or high impedance (jumper selectable, see [Local Onboard Module Configuration on page 22](#)).

Figure 6. 8960 Input/Output Connectors



# Power Up

The front LED indicators and configuration switches are illustrated in [Figure 7](#). Upon power-up, the green PWR LED should light and the yellow CONF LED should illuminate for the duration of module initialization.

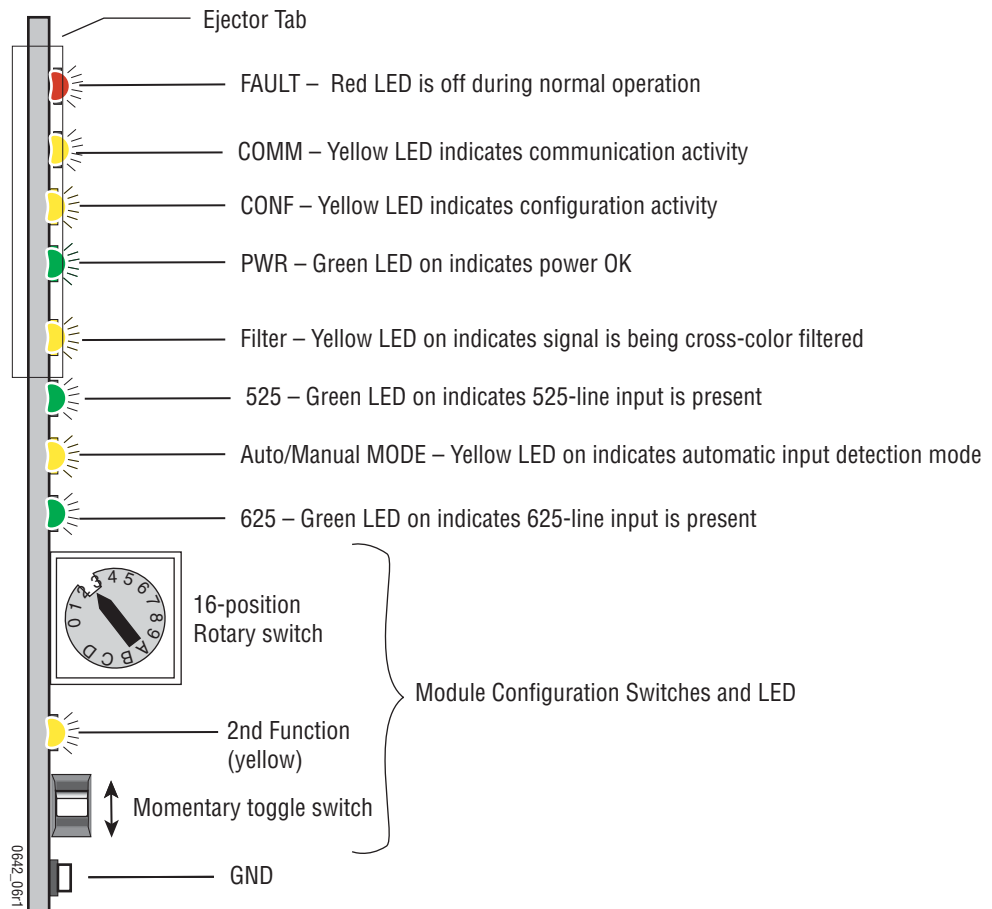
**Note** When a media module is first plugged into a Gecko or GeckoFlex frame, the 8900NET module (if present) may report a momentary fault. This will clear once the media module has booted up.

## Operation Indicator LEDs

With factory default configuration and a valid input signal connected, the green PWR LED, the yellow AUTO, and one of the green signal standard LEDs (525 or 625) should illuminate (refer to [Table 2 on page 17](#) to see the possible operating indicator combinations).

Video input presence is indicated by the 525 or 625 LED (indicating a 525-line or 625-line input signal has been detected). The AUTO LED indicates that automatic standard selection is enabled.

Figure 7. LEDs and Configuration Switches





A red FAULT LED indicates an error situation and, with the previously described LEDs, can indicate the operational conditions presented in [Table 2](#). The table describes LED indications and the signal input/output conditions and user settings that are indicated.

Table 2. Input Conditions and Resulting Output signals and Indicators

Fault (red)	525 (green)	625 (green)	Input Condition	Output Signal
OFF	ON	OFF	Normal operation; SDI input signal and 525 reference standard selected.	Correct encoded signal with correct color-framing.
OFF	OFF	ON	Normal operation; SDI input signal and 625 reference standard selected.	Correct encoded signal with correct color-framing.
Flashing	OFF	OFF	Missing or invalid SDI input signal.	No signal.
Flashing	ON	OFF	EDH or format error in the input signal.	Output signal has errors.
Flashing	OFF	ON	EDH or format error in the input signal.	Output signal has errors.
Flashing	OFF	Flashing	SDI 625 signal present; selected 625 reference missing or invalid.	Correct encoded output; color framing and delay adjustment from frame sync submodule is free running.
Flashing	Flashing	OFF	SDI 525 signal present; selected 525 reference missing or invalid.	Correct encoded output; color framing and delay adjustment from frame sync submodule is free running.
Flashing	Flashing	OFF	525 configured with Manual control, wrong input signal.	Corrupted output signal.
Flashing	OFF	Flashing	625 configured with Manual control, wrong input signal.	Corrupted output signal.

[Table 3](#) describes the outputs that will be seen for the operating modes and input conditions listed.

Table 3. Operating Mode, Input Conditions and Resulting Outputs

Mode	Standard Selection	Video Input	Reference Input	Output
Frame Sync Submodule Present — Module In Sync Mode	AUTO	Video present	Valid reference present	Correct output signal with correct timing
		No video signal present	Valid reference present	Corrupted output signal Or last field if autofreeze is on
		Video present	Reference not present	Correct output signal with free run timing
		Video present	Invalid reference input	Corrupted output signal
	Manual 525-line	Video present	Valid reference present	Correct output signal with correct timing
		No signal present	Valid reference present	Corrupted output signal Or last field if autofreeze is on
		Video present	Reference not present	Correct output signal with free run timing
		Video present	Invalid reference input	Corrupted output signal
		Invalid Video present	Valid reference present	Corrupted output signal
		Invalid Video present	Invalid reference input	Corrupted output signal
	Manual 625-line	Video present	Valid reference present	Correct output signal with correct timing
		No video signal present	Valid reference present	Corrupted output signal Or last field if autofreeze is on
		Video present	Reference not present	Correct output signal with free run timing
		Video present	Invalid reference input	Corrupted output signal
		Invalid Video present	Valid reference present	Corrupted output signal
		Invalid Video present	Invalid reference input	Corrupted output signal

Table 3. Operating Mode, Input Conditions and Resulting Outputs - (continued)

Mode	Standard Selection	Video Input	Reference Input	Output
Frame Sync Submodule Present Module In Delay Mode	AUTO	Video present	Not needed	Correct output signal w correct timing
		No video signal present	Not needed	Corrupted output signal Or last field if autofreeze is on
	Manual 525-line	Video present	Not needed	Correct output signal w correct timing.
		No video signal present	Not needed	Corrupted output signal Or last field if autofreeze is on
		Invalid Video input	Not needed	Corrupted output signal
	Manual 625-line	Video present	Not needed	Correct output signal w correct timing
		No video signal present	Not needed	Corrupted output signal Or last field if autofreeze is on
		Invalid Video input	Not needed	Corrupted output signal
	No Frame Sync Submodule	AUTO	Video present	Not needed
No video signal present			Not needed	No output signal
Manual 525-line		Video present	Not needed	Correct output signal
		No video signal present	Not needed	No output signal
		Invalid Video input	Not needed	Corrupted output signal
Manual 625-line		Video present	Not needed	Correct output signal
		No video signal present	Not needed	No output signal
		Invalid Video input	Not needed	Corrupted output signal

# Configuration

The 8960ENC can be configured locally using onboard switches or remotely using the 8900NET network interface GUI or a networked control panel.

Refer to the following sections for configuration instructions:

- Configuration Summary ([page 19](#))
- Local Onboard Module Configuration ([page 22](#))
- Remote Control and Monitoring ([page 26](#))

Operation of these control types is explained in detail in their respective sections of this manual.

## Configuration Summary

The configuration of the 8960ENC establishes:

- Reference signal input impedance (jumper selection),
- Local only or Remote/Local control (jumper selection),
- Input/Output standard setup,
- Signal processing adjustment,
- Signal filtering setup, and
- Optional Frame Sync module setup.

Output standard setup provides multi-standard support of analog output signals such as NTSC, Japanese NTSC, PAL-B, PAL-M.

The factory (default) settings for signal processing functions are set to pass a calibrated broadcast quality signal at optimum levels. Signal processing amplifier adjustments are available to correct deficiencies in the input signal.

[Table 4 on page 20](#) provides a summary in table format of all parameters and their ranges, default values, and remote, local, and control panel function names and locations for setting each value.

## Configuration Summary Table

Table 4 provides a complete summary of the 8960ENC functions and a comparison of the functionality available with each control type along with the ranges and default values for each parameter.

Table 4. Summary of Configuration Functions

Function Type	Default	Range/Choices Resolution	Web Page/ Function Name	Function Switch Bank/Setting	Newton Control Panel	Notes/ Conditions
Standard Recognition	Auto	Auto or Manual	Standard Selection/ Standard Recognition pull-down	1:0	Auto Std	
Manual Standard Selection	525	525 or 625	Standard Selection/ Manual Selection pull-down	1:1	Lines	Manual mode selected in Standard Recognition above.
Output Video Setup	Setup	Setup or No Setup	Standard Selection/ Output Video Setup pull-down	1:2	FF Setup	525 only
Vertical Interval Setup	Off	On or Off	Standard Selection/ VI Setup pull-down	2:F	VI Setup	
Line 21 Setup	Off	On or Off	Standard Selection/ Line 21 Setup pull-down	1:D	L21Setup	
Line 22 Setup	Off	On or Off	Standard Selection/ Line 22 Setup pull-down	1:E	L22Setup	
NTSC or PAL-M selection	NTSC	NTSC or PAL-M <sup>a</sup>	Standard Selection/ NTSC/PAL-M Select pull-down	1:3	525 Std	
Standards Selection Controls Type	Numeric	Numeric <sup>b</sup> or Slider	Standard Selection/ Controls Type pull-down	N/A	N/A	Web page only
Output Video Level	97.09%	41.5 to 171.55% <sup>2</sup> (0.51% steps)	Standard Selection/ Output Video Level (% 1Vpp) Slider or arrow controls	1:4	Video	
User Adjustments	Calibrate	Calibrate or User	Levels/ User Adjustments pull-down	1:5	Levels	
Levels Control Type	Numeric	Numeric <sup>2</sup> or Slider	Levels/ Controls Type pull-down	N/A	N/A	Web page only
Luma Level adjustment to set luma gain	99.74%	89.5 to 109.9% <sup>2</sup> (0.08% steps)	Levels/ Luma Level (% White) Luma Level slider or arrow controls	1:6	Luma	User mode selected in User Adjustments above
Chroma Level adjustment to set chroma gain	99.52%	88 to 110.95% <sup>2</sup> (0.09% steps)	Levels/ Chroma Level (% saturation) Chroma Level slider or arrow controls	1:8	Chroma	
Hue Level adjustment (525 only)	0 degrees	0 to 358.05 degrees <sup>2</sup> (0.35 degree steps)	Levels/ Hue (degrees) Hue Level slider or arrow controls	1:9	Hue	
Black Level adjustment	7.54%	-14.22 to 21.48% <sup>2</sup> (0.34% steps)	Levels/ Black Level (% White) Black Level slider or arrow controls	1:7	Black	
Lock Source selection	Reference	Video or Reference	Timing/ Lock Source pull-down	2:0	Lock To	

Table 4. Summary of Configuration Functions

Function Type	Default	Range/Choices Resolution	Web Page/ Function Name	Function Switch Bank/Setting	Newton Control Panel	Notes/ Conditions
Timing Control Type	Numeric	Numeric or Slider	Timing/ Controls Type pulldown	N/A	N/A	Web page only
Fine Delay control	0 ns	0 to 40.80 ns (0.16 ns steps)	Timing/ Fine Delay Fine Delay slider or arrow controls	2:1	Fine Dly	No submodule required
Horizontal Delay	0	0 to 63418 ns (525) 0 to 63862 ns (625) (37 ns steps)	Timing/ Horizontal Delay slider or arrow controls	2:2	H Delay	8900FSS submodule installed.
Vertical Delay	0	0 to 524 lines (525) 0 to 624 lines (625) (1line steps)	Timing/ Vertical Delay slider or arrow controls	2:3	V Delay	
Freeze Recognition	Manual	Manual or Auto	Timing/ Freeze Recognition pulldown	2:4	Frz Rec	
Freeze Mode	Frame	Field or Frame	Timing/ Freeze Mode pulldown	2:6	Frz Mode	
Freeze Field	Field 1	Field 1 or Field 2	Timing/ Freeze Field pulldown	2:7	FrzField	
Freeze Signal	Last Field	Last Field or Black	Timing/ Freeze Signal pulldown	2:8	Frz Sig	
Force Manual Freeze	Off	On or Off	Timing/ Freeze button	2:5	Freeze	
Cross Color Removal	Disable	Enable or Disable	Video Processing/ Cross Color Removal pulldown	2:A	CrossClr	
Chrominance Signal	Disable	Enable or Disable	Video Processing/ Chrominance Signal pulldown	2:A	Chr Sig	
Burst Signal	Disable	Enable or Disable	Video Processing/ Burst Signal pulldown	1:B	Burst	
VI Processing	Pass	Pass or Delete	Video Processing/ VI Processing pulldown	1:C	VI Proc	
Test Mode	Disable	Enable or Disable	Video Processing/ Test Mode pulldown	2:D	Tst Mode	Replace output signal with test pattern
Test Signal	Colorbar	Colorbar or Linearity	Video Processing/ Test Signal Select pulldown	2:C	Tst Sel	
Recall factory defaults	N/A	See Defaults column	Recall Factory Defaults/ Factory Defaults button	1:F (down)	N/A	

<sup>a</sup> Grass Valley no longer supports PAL-M in any of its modular products. Although this setting may work in certain applications, Grass Valley will not warrant that it works or provide support if problems are encountered using this product with PAL-M signals. This product has not been modified to eliminate support for PAL-M. If this product has been used with PAL-M in the past without problems, there shouldn't be any issues using it for the same application. However, it is not recommended that customers use it in any new PAL-M applications.

<sup>b</sup> The numeric displays are approximate values only. Calculation of displayed values are subject to decimal place truncation. Variation from the absolute value increases at higher adjustment levels.

## Local Onboard Module Configuration

The 8960ENC module can be configured locally using the rotary and toggle switches shown in [Figure 8](#). Two LEDs (CONF and 2nd) indicate status of the configuration process. These four components perform the following:

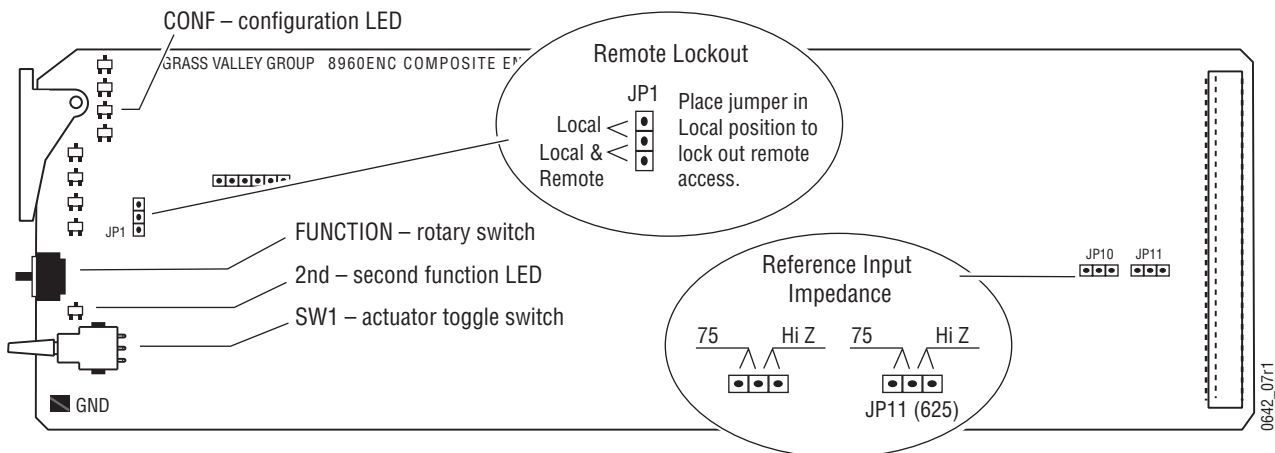
- Function (rotary) switch addresses a desired function for configuration and provides two sets (banks) of 16 functions (0 through 9, A through F), although not all positions are used.
- 2nd (second function) LED when on, indicates that the rotary switch is addressing the second (Bank 2) of functions (see [Table 5 on page 24](#)) that control the optional 8900FSS Frame Sync Submodule.
- SW1 (paddle) switch actuates or selects the desired setting for the selected function when the switch is held momentarily in either the up or down position.
- CONF (configuring) LED when on, indicates the module is initializing or processing configuration information.

**Note** Function switch position F (Recall) in Bank 1 can be used to return the module configuration to the factory default.

The following onboard jumpers are used to permit or lockout remote control and set reference input impedance.

- Remote Control Lockout – When a jumper is placed across pins 1 and 2 of jumper block JP1 (see [Figure 8](#)), module output mode settings are adjustable from the Local on-board switches only. To have both Local and Remote access, set the jumper across pins 2 and 3.
- Reference Input Impedance – When a jumper is placed across pins 1 and 2 of jumper block JP10 (525 line reference) or JP11 (625 line reference), Reference Input is terminated into 75  $\Omega$  (see [Figure 8](#)). To have high impedance termination, set the jumper across pins 2 and 3 of the appropriate jumper block.

Figure 8. Module Configuration Switches, LEDs, and Jumpers



## Onboard Module Configuration

To make configuration settings:

1. Rotate the Function Switch to Bank 1 (2nd LED off) or Bank 2 (2nd LED on) and to the desired function within that bank.

**Note** The Function switch should be kept in Bank 2 position E when not in use to avoid any inadvertent change in configuration. E is an inactive position.

2. Move the paddle switch to the up or down position and hold momentarily to set the desired function (refer to [Table 5 on page 24](#)).
3. Return the Function switch to Bank 2 position E when finished with entire configuration process.

## Adding/Deleting Setup for 525 Format

### Bank 1, Position 2

Bank 1, position 2 is an overall setup on/off selection which overwrites all other setup controls. When **Setup** (on) is selected for NTSC 525 format, all lines in the full-field (FF) picture—which is composed of AP (active picture) and VI (vertical interval)—have 54 mV setup added. The luma chroma gain is reduced to provide a 1 V peak-to-peak nominal level. When **No Setup** (off) is selected, AP and VI have no setup, and luma chroma gain is increased to provide a 1 V peak-to-peak nominal level.

When **Setup** is selected, setup can be selectively removed from lines 21, 22 or the vertical interval. When **No Setup** is selected, setup cannot be added to any line.

### Bank 1, Position D

Bank 1, position D controls setup **ON/OFF** for line 21 in both fields.

### Bank 1, Position E

Bank 1, position E controls setup **ON/OFF** for line 22 in both fields.

### Bank 2, Position F

Bank 2, position F controls setup **ON/OFF** VI lines only both fields.

When **Factory Default** is selected setup is on AP lines, no setup on VI lines, no setup on line 21, setup on line 22.

Table 5. Encoder Configuration Functions

Function Switch	Paddle Switch Up	Paddle Switch Down	Function Description
<b>Input/Output Signal Adjustments</b>			
0	Auto	Manual	Standard Recognition – Automatic standard recognition or manual select enable.
1	525	625	Manual Standard – Selection of 525-line or 625-line signal. The internal automatic standard detection is disabled when Manual is selected.
2	On	Off	Setup in the output video (this function is disabled if the standard is 625). Select On for NTSC, select Off for Japanese NTSC.
3	NTSC	PAL-M <sup>a</sup>	525 NTSC/PAL-M Selection – Defines the subcarrier frequency of the output video signal (Function is Disabled if standard is 625).
4	Increase	Decrease	Output Video Level – controls $\pm 6$ dB gain adjustment of the output video signal in 256 steps.
<b>Signal Processing Adjustments</b>			
5	Enable	Calibrated	User Adjustments – Enables processing amplifier functions (6-9) or selects Calibrated presets optimized for a calibrated video output.
6	Increase	Decrease	Luma Level <sup>b</sup> – Can be adjusted $\pm 10\%$ in 256 incremental steps.
7	Increase	Decrease	Black Level <sup>2</sup> – Can be adjusted $\pm 100$ mV in 256 incremental steps.
8	Increase	Decrease	Chroma Level <sup>2</sup> – Can be adjusted $\pm 10\%$ in 256 incremental steps.
9	Increase	Decrease	Hue <sup>2</sup> – Chroma phase can be rotated from 0 to 360 degrees. Disabled if standard is PAL.
<b>Signal Filtering Setup</b>			
A	Enable	Disable	Enable/Disable modulated chroma signal
B	Enable	Disable	Enable/Disable burst reference in the output signal
C	Pass	Delete	VI Processing Options – Select Pass for picture content processed and passed through, or Delete to remove picture content.
D	On	Off	Adds or removes setup for line 21 in both fields
E	On	Off	Adds or removes setup for line 22 in both fields
F	–	Recall	Factory Default – Resets all user adjustable parameters to optimized setting for a calibrated SDI input signal.

Bank 1 - 2nd LED Off



Table 5. Encoder Configuration Functions - (continued)

	Function Switch	Paddle Switch Up	Paddle Switch Down	Function Description
<b>Bank 2 - 2nd LED On</b>	0	Video	Reference	Lock Source – Selecting Video forces delay mode even if a reference signal is present
	1	Increase	Decrease	Fine delay adjustment
	2	Increase	Decrease	Horizontal Delay <sup>c</sup> – Provides synchronizer delay adjustment in clock increments and line increments accordingly.
	3	Increase	Decrease	Vertical Delay <sup>3</sup> – Provides synchronizer delay adjustment in clock increments and line increments accordingly
	4	Manual	Auto	Freeze Recognition <sup>3</sup> – Selecting Auto stores the last field in the frame synchronizer to use if the input video is lost or corrupted.
	5	Off	On	Freeze Manual <sup>3</sup> – Enables/Disables manual selection of Freeze Mode according to positions 6&7.
	6	Frame	Field	Freeze Mode <sup>3</sup> – Select between Frame and Field.
	7	Field 1	Field 2	Freeze Field <sup>3</sup> – Select between Field 1 and Field 2.
	8	Last Field	Black	Freeze Signal <sup>3</sup> – Selects the freeze output signal if Auto or manual freeze is activated.
	9	currently not used		
	A	Enable	Disable	Cross color removal – Enables/Disables the cross-color removing 2D filter.
	B	currently not used		
	C	Colorbar	Linearity	Test Signal – Select between colorbar and linearity signal.
	D	Enable	Disable	Test Mode – If Test is selected, the input SDI is replaced with the test pattern selected in 2:C.
	E	Inactive Position		
	F	On	Off	Adds or removes setup for vertical interval in both fields

<sup>a</sup> Grass Valley no longer supports PAL-M in any of its modular products. Although this setting may work in certain applications, Grass Valley will not warrant that it works or provide support if problems are encountered using this product with PAL-M signals. This product has not been modified to eliminate support for PAL-M. If this product has been used with PAL-M in the past without problems, there shouldn't be any issues using it for the same application. However, it is not recommended that customers use it in any new PAL-M applications.

<sup>b</sup> Inactive if User Adjustments (switch position 5) is set to Calibrated.

<sup>c</sup> Inactive if Frame Sync Submodule is not present.

## Remote Configuration and Monitoring

8960ENC configuration and monitoring can be performed using a web browser GUI interface or a networked Newton Control Panel when the 8900NET Network Interface module is present in the video frame (Gecko 8900TFN-V frame). Each of these interfaces is described below.

**Note** For remote access, make sure the jumper block on the module is set for both Local and Remote access ([Figure 8 on page 22](#)).

### 8900NET Module Information

Refer to the 8900NET Network Interface Module Instruction Manual for information on the 8900NET Network Interface module and setting up and operating the Gecko 8900 frame network.

**Note** The 8900NET module in the frame must be running software version 3.2.2 or higher for proper remote and control panel operation. Upgrade software and instructions for the 8900NET can be downloaded from the Grass Valley web site.

### Newton Control Panel Configuration

A Newton Control Panel (hard or soft version) can be interfaced to the Gecko 8900 Series frame over the local network. Refer to the documentation that accompanies the Newton Modular Control System for installation, configuration, and operation information.

Control panel access offers the following considerations for module configuration and monitoring:

- Ability to separate system level tasks from operation ones, minimizing the potential for on-air mistakes.
- Ability to group modular products—regardless of their physical locations—into logical groups (channels) that you can easily manipulate with user-configured knobs.
- Update software for applicable modules and assign frame and panel IP addresses with the NetConfig Networking application.
- Recommended for real-time control of module configuration parameters, providing the fastest response time.

**Note** Not all module functions are available with the control panel, such as factory default recalls. The available Newton control panel controls for the 8960ENC module are listed in [Table 4 on page 20](#).

An example of the Newton Configurator is shown in [Figure 9 on page 27](#).

Figure 9. Newton Configurator Example

Module (drag and drop from Device View)

Module Name: 8960ENC      Frame Name: Bay 1     

Slot: 1      Frame IP Address: 10 . 16 . 18 . 144     

Label	Description	Type	PID	IID
State	Slot Status	switch	51	0
Input Sig	Input Signal	switch	52	0
Ref Sig	Reference Signal	switch	59	0
Auto Std	Standard Recognition	switch	710	0
Lines	Line Standard	switch	711	0
FF Setup	Output Video Setup	switch	712	0
525 Std	NTSC/PAL-M Select	switch	713	0
Video	Output Video Level	control	715	0
Levels	User Adjustments	switch	717	0
Luma	Luma Level	control	719	0
Black	Black Level	control	721	0
...	...	...	...	...

## Web Browser Interface

The web browser interface provides a graphical representation of module configuration and monitoring.

Use of the web interface offers the following considerations:

- Provides complete access to all module status and configuration functions, including naming of inputs and outputs, factory parameter and name default recalls, E-MEM functions, slot configuration, and SNMP monitoring controls.
- Web access will require some normal network time delays for processing of information.
- Configuration parameter changes may require pressing **Apply** button or **Enter**, upload processing time, and a manual screen refresh to become effective.
- Web interface recommended for setting up module signal and slot names, E-MEMS, and reporting status for SNMP and monitoring.

Refer to the Frame Status page shown in [Figure 10 on page 28](#). The 8900 modules can be addressed by clicking either on a specific module icon in the frame status web page or on a module name or slot number in the link list on the left.

**Note** The physical appearance of the graphics on the web pages shown in this manual represent the use of a particular platform, browser and version of 8900NET module software. They are provided for reference only. Web pages will differ depending on the type of platform and browser you are using and the version of the 8900NET software installed in your system. This manual reflects 8900NET software version 4.0.2.

For information on status and fault monitoring and reporting shown on the Status page, refer to [Status Monitoring on page 51](#).

Figure 10. Gecko 8900 Frame Status Page

The Links section lists the frame and its current modules. The selected link's Status page is first displayed and the sub-list of links for the selection is opened. The sub-list allows you to select a particular information page for the selected device.

Content display section displays the information page for the selected frame or module (frame slot icons are also active links).

Refresh button for manual refresh of page

**Status**

Model: 8900FFN Description: Module Frame  
 Frame Location: N3  
 Frame Health Alarm **PASS** Temperature Status **PASS**  
 Power Status **PASS**

Module	Module	Module	Module	Empty	Empty	Module	Empty	Empty	Empty	Net Card	Empty	Power Supply
--------	--------	--------	--------	-------	-------	--------	-------	-------	-------	----------	-------	--------------

Front Cover **No Cover**

**Properties**  
 Vendor Thomson, Grass Valley Software Version 4.0.2  
 Media Slots 10 Network Config Network configuration stored on frame

[Bay 1](#)  
[Status](#)  
[Configuration](#)  
[Connections](#)  
[Frame Alarm Reporting](#)  
[LED Reporting](#)  
[SNMP Reporting](#)  
[Power Supply/Demand](#)  
[1 8960DEC](#)  
[2 8960ENC](#)  
[3 8960ENC](#)  
[4 Media Slot 4](#)  
[5 Media Slot 5](#)  
[6 Media Slot 6](#)  
[7 8935FC](#)  
[8 Media Slot 8](#)  
[9 Media Slot 9](#)  
[10 Media Slot 10](#)  
[11 8900NET](#)  
[12 Power Supply 1](#)  
[13 Power Supply 2](#)

0612-12/2

## 8960ENC Links and Web Pages

The 8900 web interface GUI provides the following links and web pages for the 8960ENC module (Figure 11):

- Status – reports input and reference signal status and module information (page 30),
- Standard Selection – provides controls for setting module line standard and setting output video levels (page 31),
- Levels – provides access to controls for adjusting luma, chroma, hue, and black levels (page 34),
- Timing – provides lock source and fine phase adjustments and horizontal and vertical timing adjustments when the 8900FSS is installed (page 37),
- Video Processing – provides controls for enabling and disabling video functions on the encoded output (page 40),
- Recall Factory Defaults – use this web page to recall factory defaults for the module (page 41), and
- Slot Config – provides a Locate Module function, Slot Identification fields, Slot Memory controls, and links to the Frame Alarm and SNMP Trap enables on the 8900NET module web pages (page 42).

Figure 11. 8960ENC Web Page Links

### 3 8960ENC

Status

Standard Selections

Levels

Timing

Video Processing

Recall Factory Defaults

Slot Config



On all web pages, click on **Apply** to activate settings in each selection then refresh the web page at the top of the page with the **Refresh** button (both shown at left).

Refer to [Table 4 on page 20](#) for a complete summary of controls, defaults, and parameter ranges.


## Status Web Page

- Use this link
- [3 8960ENC](#)
  - [Status](#)
  - [Standard Selections](#)
  - [Levels](#)
  - [Timing](#)
  - [Video Processing](#)
  - [Recall Factory Defaults](#)
  - [Slot Config](#)

The Status web page (Figure 12) shows the input signal status of the component analog video input. Color coding of the display indicated the signal status. Refer to *Status Monitoring on page 51* for an explanation of the color coding.

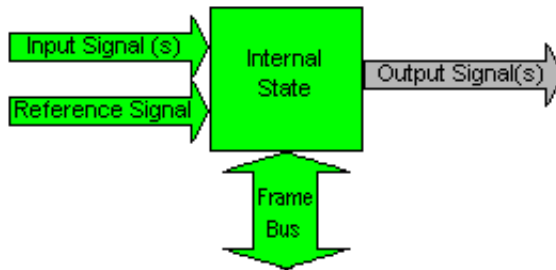
Information about the module, such as part number, serial number, hardware revision and software and firmware versions are given in a read-only section at the bottom of the display.

Figure 12. 8960ENC Status Web Page



**Status**

Model: 8960ENC Description: 4:2:2 To NTSC/PAL Encoder  
Frame Location: not assigned , Slot: 1  
Input Signal Name: not assigned  
8960ENC Status: PASSED



### Properties

Hardware Revision      Serial Number 1229171  
Software Version 8.1.0 Part Number 671-4698  
Firmware Version 08

## Standard Selection Web Page

- Use this link
- [3 8960ENC](#)
  - [Status](#)
  - [Standard Selections](#)
  - [Levels](#)
  - [Timing](#)
  - [Video Processing](#)
  - [Recall Factory Defaults](#)
  - [Slot Config](#)

The Standard Selections web page provides controls to set the line standard, enable setup on the vertical interval and the output video, and set the video output level from the module.

Set the following parameters on this web page:

- Set the Standard Recognition control to either **Auto** or **Manual**. **Auto** mode allows the module to detect and accept either a 525-line or 625-line input signal. The line standard value will be reported as a read-only value in the menu when **Auto** is selected (see [Figure 13](#)).

Figure 13. Standard Selection Web Page

**Standard Selections**

Model: [8960ENC](#) Description: [4:2:2 To NTSC/PAL Encoder](#)  
 Frame Location: [not assigned](#) , Slot: [1](#)

selection    current setting

Standard Recognition:  [Auto](#)

Line Standard: [525](#)

selection    current setting

Output Video Setup:  [Setup](#)

selection    current setting

VI Setup:  [Off](#)

Line 21 Setup:  [Off](#)

Line 22 Setup:  [On](#)

NTSC/PAL-M Select:  [NTSC](#)

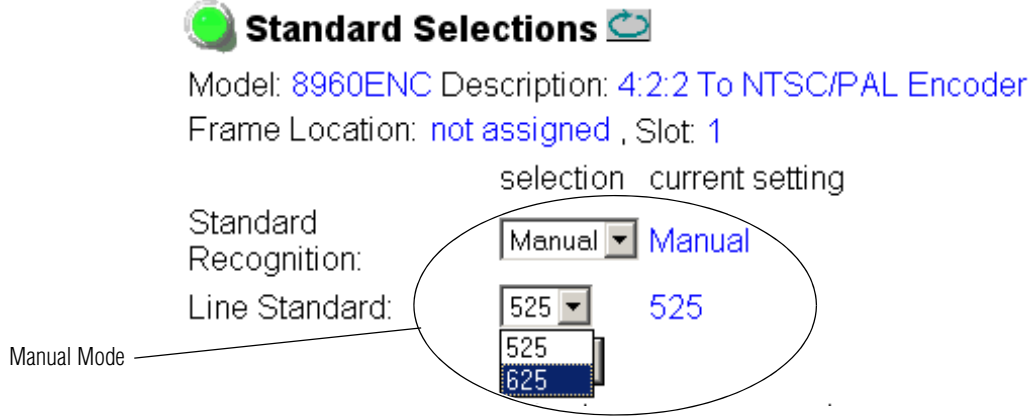
selection    current setting

Controls Type:  [Numeric](#)

Output Video Level (% 1Vpp)

The **Manual** setting forces the module to operate in the mode chosen by the user. If **Manual** is selected, the **Line Standard** control will appear and allow selection of either **525** or **625** (Figure 14).

Figure 14. Standard Selection Web Page – Manual Mode



- The Output Video Setup control appears only when a 525-line standard is enabled, either manually or automatically. For output video with 54 mV of setup, select **Setup**. Select **No Setup** for Japanese NTSC or other requirements with no setup.

When **Setup** (on) is selected for NTSC 525 format, all lines in the full-field (FF) picture—which is composed of AP (active picture) and VI (vertical interval)—have 54 mV setup added. The luma chroma gain is reduced to provide a 1 V peak-to-peak nominal level. When **No Setup** (off) is selected, AP and VI have no setup, and luma chroma gain is increased to provide a 1 V peak-to-peak nominal level.

When **Setup** is selected, setup can be selectively removed from lines 21, 22 or the vertical interval. When **No Setup** is selected, setup cannot be added to any line. Factory default provides setup on AP lines, no setup on VI lines, no setup on line 21, and setup on line 22.

- Select **NTSC** or **PAL-M** subcarrier format.

**Note** Grass Valley no longer supports PAL-M in any of its modular products. Although this setting may work in certain applications, Grass Valley will not warrant that it works or provide support if problems are encountered using this product with PAL-M signals. This product has not been modified to eliminate support for PAL-M. If this product has been used with PAL-M in the past without problems, there shouldn't be any issues using it for the same application. However, it is not recommended that customers use it in any new PAL-M applications.



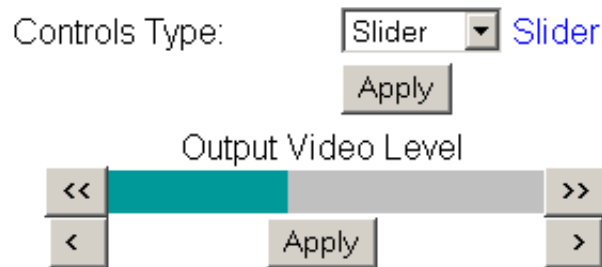
- Adjust the Output Video Level using either the **Slider** or **Numeric** adjustment mode (see [Figure 13 on page 31](#) for numeric control and [Figure 15](#) for slider control).

The gain of the output video is adjusted relative to a calibrated value of 1 V p-p (100%). For example, if you have an output of 1V p-p, the value would be set to 100%.

In either adjustment mode, the single arrow will increment the value by approximately 0.5% per click. The double arrows increment or decrement the value by approximately 10x (5% per click).

**Note** Numeric displays are for approximate values only. Calculation of displayed values are subject to decimal place truncation. Variation from the absolute value increases at higher adjustment levels.

Figure 15. Output Level Adjustments – Slider Control Type



## Levels Web Page

Use  
this  
link

- [3 8960ENC](#)
- [Status](#)
- [Standard Selections](#)
- [Levels](#)
- [Timing](#)
- [Video Processing](#)
- [Recall Factory Defaults](#)
- [Slot Config](#)

The Levels web page provides access to processing amplifier controls. You may select user adjustable to set the values or set the module to factory calibrated levels.

Set the User Adjustments pulldown to either **Calibrate** or **User**.

In **Calibrate** mode, the module selects preset factory default values optimized for a calibrated video output. The values will be reported as read-only as shown in [Figure 16](#).

Figure 16. Levels Web Page – Calibrate Mode

**Levels**

Model: 8960ENC Description: 4:2:2 To NTSC/PAL Encoder  
 Frame Location: not assigned , Slot: 1

User Adjustments: selection current setting  
 Calibrate

Controls Type: selection current setting  
 Numeric

Luma Level: 99.74 % white      Black Level: 7.54 % white  
 Chroma Level: 99.52 % saturation  
 Hue: 0.00 degrees

In **User** mode, select **Slider** or **Numeric** adjustment mode to adjust the following output video parameters (see [Figure 17 on page 35](#) for numeric controls and [Figure 18 on page 36](#) for slider controls):

- Luma level (luminance gain relative % white),
- Chroma level (chrominance gain relative % saturation),
- Hue, 0 – 360 degrees (525 standard only), and
- Black level (black level relative to % white).

In either adjustment mode, the single arrow will increment/decrement the values by approximately 1x the parameter value. The double arrows will increment/decrement the values by approximately 10x. In **Numeric** adjustment mode, you may also enter a value directly into the window.

**Note** Numeric displays are for approximate values only. Calculation of displayed values are subject to decimal place truncation. Variation from the absolute value increases at higher adjustment levels.

Figure 17. Levels Web Page – User Mode – Numeric Control Type

**Levels**

Model: 8960ENC Description: 4:2:2 To NTSC/PAL Encoder  
 Frame Location: not assigned , Slot: 1

User Adjustments: selection current setting  
 User

Controls Type: selection current setting  
 Numeric

Luma Level (% white)      Black Level (% white)

<< < 99.74 \* > >>      << < 7.54 \* > >>

|< [slider] >|      |< [slider] >|

Chroma Level (% saturation)

<< < 99.52 \* > >>

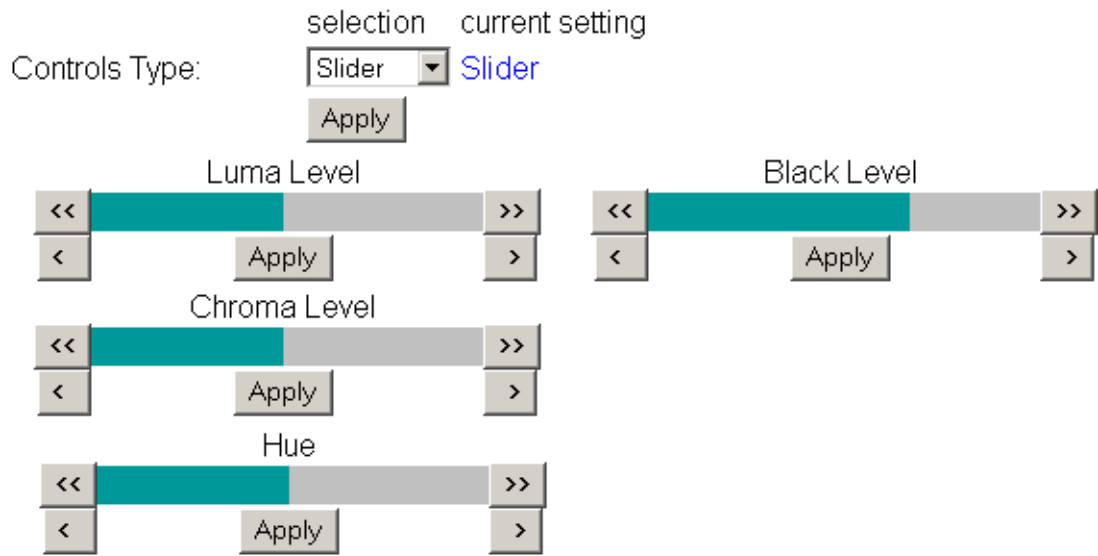
|< [slider] >|

Hue (degrees)

<< < 0.00 \* > >>

|< [slider] >|

Figure 18. Levels Web Page – Slider Control Type



## Timing Web Page

Use  
this  
link

- [3 8960ENC](#)
- [Status](#)
- [Standard Selections](#)
- [Levels](#)
- [Timing](#)
- [Video Processing](#)
- [Recall Factory Defaults](#)
- [Slot Config](#)

The Timing web page shown in [Figure 19 on page 38](#) (Numeric control mode) or [Figure 20 on page 39](#) (Slider control mode) provides lock source selection and fine phase adjustments for the output video. When the optional Frame Sync submodule is installed, additional horizontal and vertical phase adjustments and freeze options become available.

Select the **Apply** button to activate each selection.

Adjustment parameters may be selected in **Slider** or **Numeric** mode. Select the desired mode in the Controls Type window. In either mode, the single arrow will increment/decrement the values by approximately 1x the value of the parameter. The double arrows will increment/decrement the values by approximately 10x. In **Numeric** adjustment mode, you may also enter a value directly into the window.



Set the following parameters in this web page:

- Choose a Lock Source from **Reference** input or **Video** input.
- Adjust the Fine Delay in nanoseconds with either **Slider** or **Numeric** adjustment mode.

If the optional 8900FSS Frame Sync submodule is installed (Submodule Option: Present as shown in [Figure 19 on page 38](#)), you can also make the following delay adjustments and set freeze operation parameters:

- Adjust Horizontal Delay in nanosecond increments and Vertical Delay phase adjustment in line increments in either **Slider** or **Numeric** mode.
- Set Freeze Recognition to **Manual** or **Auto**. Selecting **Auto** stores the last field in the Frame Synchronizer to use if the input video is lost or corrupted.
- Set the Freeze Mode to **Frame** or **Field**.
- Set the Freeze Field to **Field 1** or **Field 2**.
- Set the Freeze Signal to **Last Field** or **Black**. This will determine the freeze output signal when a freeze is activated in either **Auto** or **Manual** mode.
- To perform a manual freeze, click the **Freeze** button at the lower left of the web page.

Figure 19. Timing Web Page – Numeric Control Type

 **Timing** 

Model: 8960ENC Description: 4:2:2 To NTSC/PAL Encoder  
Frame Location: not assigned , Slot: 1  
Submodule Option: Present

Lock Source: selection current setting  
 Reference

Fine Delay (ns)

Controls Type: selection current setting  
 Numeric

Horizontal Delay (ns) Vertical Delay (lines)

Freeze Recognition: selection current setting  
 Manual  
Freeze Mode:  Frame  
Freeze Field:  Field 1  
Freeze Signal:  Last Field

Figure 20. Timing Web Page – Slider Control Type

**Timing** 

Model: 8960ENC Description: 4:2:2 To NTSC/PAL Encoder

Frame Location: not assigned , Slot: 1

Submodule Option: Present

Lock Source: selection current setting  
 Reference

Fine Delay

Controls Type: selection current setting  
 Slider

Horizontal Delay

Vertical Delay

Freeze Recognition: selection current setting  
 Manual  
 Freeze Mode:  Frame  
 Freeze Field:  Field 1  
 Freeze Signal:  Last Field

## Video Processing Web Page

- Use this link
- [3 8960ENC](#)
  - [Status](#)
  - [Standard Selections](#)
  - [Levels](#)
  - [Timing](#)
  - [Video Processing](#)
  - [Recall Factory Defaults](#)
  - [Slot Config](#)

Use the Video Processing web page shown in [Figure 21](#) to enable or disable the:

- Cross-color removing 2D filter,
- Modulated chrominance signal,
- Burst reference in the output signal, and
- Test Mode signal output.

In the VI Processing pulldown select **Pass** or **Delete** VI signal. When **Pass** is selected, the picture content in the vertical interval is processed and passed through. If **Delete** is selected, the picture content is removed from the vertical interval.

If **Test Mode** is enabled, choose **Colorbar** or **Linearity** as the test output signal.

Figure 21. Video Processing Web Page

**Video Processing**

Model: [8960ENC](#) Description: [4:2:2 To NTSC/PAL Encoder](#)  
 Frame Location: [not assigned](#) , Slot: [1](#)

	selection	current setting
Cross-Color Removal:	<input type="button" value="Disable"/>	Disable
Chrominance Signal:	<input type="button" value="Enable"/>	Enable
Burst Signal:	<input type="button" value="Enable"/>	Enable
VI Processing:	<input type="button" value="Pass"/>	Pass
	<input type="button" value="Apply"/>	
	selection	current setting
Test Mode:	<input type="button" value="Enable"/>	Enable
Test Signal Select:	<input type="button" value="Colorbar"/>	Colorbar
	<input type="button" value="Colorbar"/>	
	<input type="button" value="Linearity"/>	



## Recall Factory Defaults Web Page

[3 8960ENC](#)

[Status](#)

[Standard Selections](#)

[Levels](#)

[Timing](#)

[Video Processing](#)

[Recall Factory Defaults](#)

[Slot Config](#)

Use  
this  
link

Factory default settings can be recalled by selecting the **Factory Defaults** button shown in [Figure 22](#) on the Recall Factory Defaults web page.

Figure 22. Factory Default Recall Web Page

### **Recall Factory Defaults**

Model: [8960ENC](#) Description: [4:2:2 To NTSC/PAL Encoder](#)

Frame Location: [not assigned](#) , Slot: [1](#)

## Slot Config Web Page

- 3 8960ENC
- [Status](#)
- [Standard Selections](#)
- [Levels](#)
- [Timing](#)
- [Video Processing](#)
- [Recall Factory Defaults](#)
- [Slot Config](#)

Use  
this  
link

Use the Slot Config web page ([Figure 23 on page 43](#)) to perform the following functions on the 8960ENC module:

- **Locate Module** – selecting the **Flash** radio button flashes the yellow COMM and CONF LEDs on the front of the module so it can be located in the frame.
- **Slot Identification** – you may identify the module by typing a specific name in the **Name** field. The assigned name is stored on the 8900NET module and travels with the 8900NET module if it is moved to another frame. Select **Default** to enter the factory default module name.

An **Input Signal Name** field is also provided for entering a name for the input signal. Press the **Default** button to return to the factory default name.



- **Slot Memory** – the slot configuration for each media module is automatically saved periodically (once an hour) to the 8900NET module in that frame. You may also select the **Learn Module Config** button at any time to save the current configuration for this slot. The configuration is saved on the 8900NET module. If the 8900NET module is removed or powered down, the stored configurations are not saved.

When the **Restore upon Install** box has been checked, the current configuration saved to this slot is saved as slot memory. When the current module is removed and another module of the same type is installed, the configuration saved to the 8900NET module will be downloaded to the new module. The box must be checked before the current module with the saved configuration is removed.

- **Frame Health Reports Link** – select the Frame Health Reports link to open the 8900NET module Frame Alarm Reporting web page. This web page allows configuration of the alarms and warnings that are reported to the external Frame Health Alarm connector on the rear of the GeckoFlex frame.
- **LED Reports** – This link appears when the 8900NET module has software version 4.0.2 or later installed. When the link is selected, a read-only status report of the 8900NET Hardware Switch state is given. In the LED Reporting section of the web page, LED Reporting on the 8900NET module can be enabled or disabled as desired.
- **SNMP Trap Reports Link** – select the SNMP Trap Reports link to open the 8900NET SNMP Reporting web page. This link will only be present when SNMP Agent software has been installed on the 8900NET module. This web page allows configuration of which alarms and warnings that are reported to the SNMP management software.

Refer to the *8900NET Instruction Manual* for complete details on using the 8900NET web pages.

Figure 23. 8960ENC Slot Config Web Page

 **Slot Config**   
Model: 8960ENC Description: 4:2:2 To NTSC/PAL Encoder  
Frame Location: not assigned , Slot: 1**Locate Module** Flash  Off**Slot Identification**Name:  Input Signal Name:  **Slot Memory** Restore upon Install[Frame Health Reports](#)[LED Reports](#)[SNMP Trap Reports](#)

## Software Updating

Software updating for the module is done using the 8900-FLOAD-CBL assembly available from Grass Valley Customer Service.

The 8900-FLOAD-CBL assembly consists of a circuit board and serial and ribbon cables that connect between a serial port on a PC and the ISP connector on an 8900 or 2000 module. The software upgrade requires downloading files from a PC to the module through the cable assembly.

### Equipment Required

The following items are required for this procedure:

- 8900-FLOAD-CBL assembly (circuit board and 2 cables),
- Software CD containing ModLoad.exe application (comes with the 8900-FLOAD-CBL kit) and 8900/2000 module software files and Release Notes, and
- PC with unused Serial Com port that can be connected serially to the 8900 or 2000 frame.

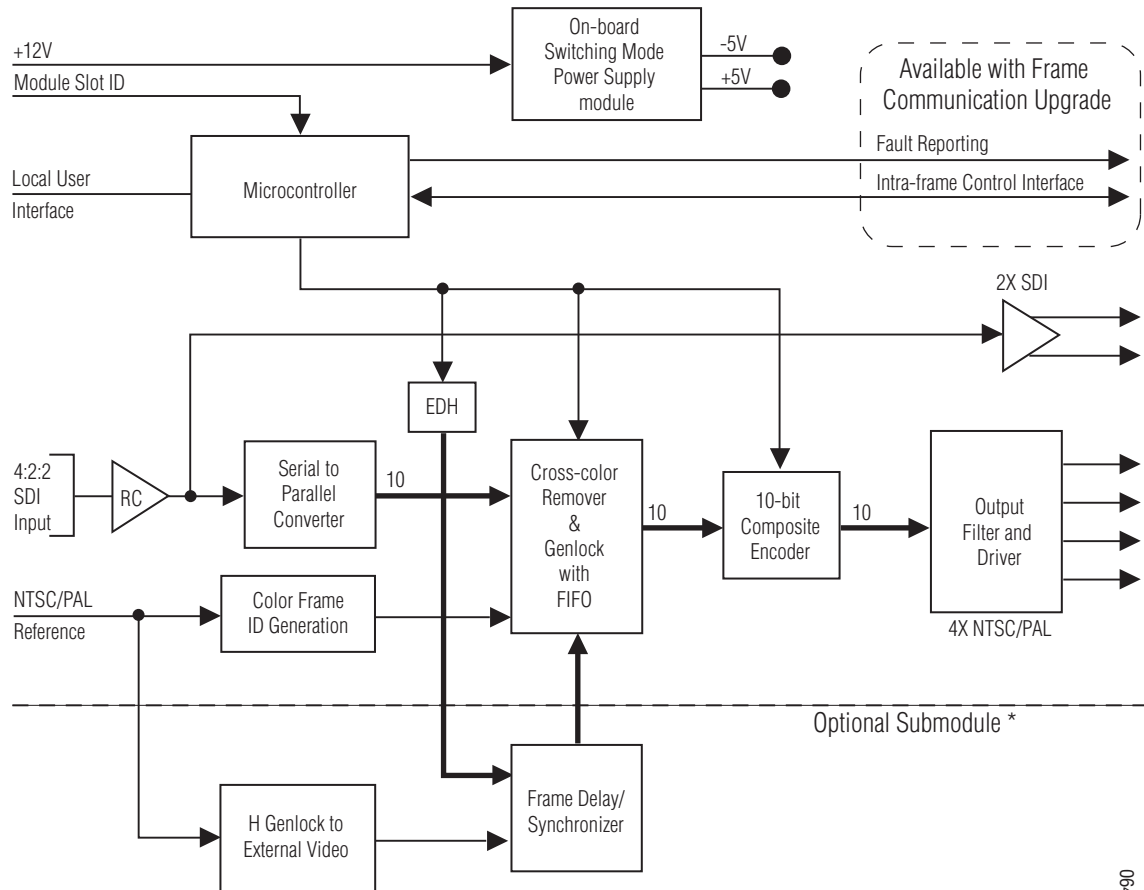
### Acquiring Software Updates

For information on acquiring the upgrade kit and available software updates, contact Grass Valley Customer Service at the location given in *Contacting Grass Valley on page 4* at the front of this manual.

# Functional Description

Refer to the block diagram in [Figure 24](#) while reading the following functional description.

Figure 24. 8960ENC Block Diagram



\* The main encoder module automatically recognizes the attachment of the frame synchronizer submodule.

0642-01

## Serial 4:2:2 Input Stage & Output

The SDI signal is connected to the high impedance loop-through input. The input amplifier auto-equalizes the signal up to 24 dB loss (300 meters of Belden 8281 cable). The reclocked signal is available on two SDI output connectors and also on an internal 10-bit parallel bus for further processing. Error Detection Handling (EDH) is tested by the microcontroller which flashes the Fault LED when errors are detected.

## Cross-Color Remover

The encoder accepts 525/625 component video and before the composite encoding, removes luminance components that could cause discoloration in high detail diagonal content areas. By doing this at the decoder side, there are no artifacts when using digital comb filtering based decoders such as the 8960DEC Adaptive Decoder. The pre-filtering is done in a Field Programmable Gate Array (FPGA) using a spatio-temporal comb filter that gives full vertical resolution while removing all unwanted cross-color details. All the necessary timing and interfacing signals are generated internally and adjusted automatically to the incoming signal's standard.

## Synchronizer

Phasing range is infinite with the addition of the optional frame synchronizer module. The frame synchronizer is locked to the selected reference in the horizontal and vertical domain in 37 ns steps.

## 10-bit Encoder and Output Driver

The 10-bit precision encoder can be switched through auto/manual standard selection to multi-standard outputs:

- NTSC
- PAL-B
- PAL-M

Fine phase adjustment is available within a 0-45 ns range.

The oversampling restoration filter gives an exceptionally flat response and a linear phase signal that is amplified and automatically DC-restored before it is output to the four BNC connectors.

## Color-frame Lock

When the Lock Source is set to Reference (factory default configuration), the composite output video is automatically color-frame locked when a blackburst reference signal is present. The composite analog video output signal and the reference have to be frequency-locked and the phase difference has to be within  $\pm 10$  video lines for color-frame locking.

If during module configuration Lock Source is set to Video, color-frame lock is free-running. If the output signal is PAL-M encoded, the board locks to NTSC reference signal.

## **Microcontroller**

At power up, the microcontroller configures the encoder chip and loads the firmware according to the last stored user settings. The user adjustable parameters are input through a multifunction rotary and toggle switch combination interface with a preset option of the factory recall settings. All the functions are remote read/writable through the intraframe control interface (available in 8900TX/TF/TFN frames). The Fault Reporting output is pulsed in case of loss of input signal.

## **Regulator**

The input +12 V is stepped down to +5 V and -5 V using an on-board switched mode drop (buck) regulator. The regulator does not start up until the main supply voltage reaches approximately 80% of its nominal value.

# Specifications

Table 6. 8960ENC Specifications

Parameter	Value
<b>Input</b>	
Number of inputs	1
Input signal formats	Serial digital video conforming to SMPTE 259M 10-bit, 4:2:2 component digital signal
Common Mode Rejection	2 V p-p to 60 Hz
Impedance	75 $\Omega$ , loop-through
Return loss	> 15 dB up to 270 MHz
Equalization	300 meters (984 ft.) Belden 8281 cable
Connector	75 $\Omega$ on 8900 frame
<b>Analog Outputs</b>	
Number of outputs	4
Signal type	Composite analog video conforming SMPTE170M for NTSC and CCIR624 for PAL-B <sup>3</sup>
Signal level	1 V peak to peak nominal $\pm 6$ dB
Clamping level	0.0 VDC +20 mV/-0.0 mV
Output impedance	75 $\Omega$
Connector type	75 $\Omega$ on 8900 frame
Output return loss	> 40 dB to 5.5 MHz
Output isolation	> 46 dB to 5.5 MHz
Frequency response	$\pm 0.1$ dB to 5.5 MHz
Differential phase	< 0.5 degrees
Differential gain	< 0.9%
Group delay	< 10 ns to 5.5 MHz
RMS signal-to-noise	> 59 dB to 5.5 MHz
Resolution	10 bits
Phasing	Full-frame with optional frame synchronizer
Fine Phase	0-45 ns
Electrical length	2.1 $\mu$ s $\pm 0.1$ $\mu$ s
Accuracy	9.2 bits



Table 6. 8960ENC Specifications - (continued)

Parameter	Value
<b>Serial Digital Outputs</b>	
Number of outputs	2
Signal type	Serial digital video conforming to SMPTE259M 10bit 4:2:2 component digital signal
Signal Level	800 mV +/-10%
Connector type	75 $\Omega$ on 8900 frame
Output Return Loss	> 15 dB up to 270 MHz
Jitter	Conforms to SMPTE 17.2/002
Rise/Fall Times	400-700 ps (20-80% amplitude)
<b>Reference Input</b>	
Number of references	2
Signal type	Black Burst Separate input assigned for SMPTE170M signal (525) and CCIR624 signal (625)
Signal level	Sync: 300 mV p-p $\pm$ 3 dB
Input impedance	75 $\Omega$ or high impedance, jumper selectable
Connector type	75 $\Omega$ on 8900 frame
Return loss	> 36 dB to 5 MHz
RMS signal-to-noise	> 40 dB to 5 MHz
SCH error	$\leq$ 60 degrees
Color-frame locking	Composite analog video output and reference signal must be within $\pm$ 10 video lines phase difference or color-frame lock will be in free-run mode
<b>Environmental</b>	
Frame temperature range	See Gecko Frame manual
Operating Humidity Range	0 to 90% non-condensing
Non-operating Temperature	-10 to +70 degrees C
<b>Mechanical</b>	
Frame type	8900 Gecko Video or GeckoFlex with 8900V-R rear module
<b>Power Requirements</b>	
Supply voltage	+ 12V
Power Consumption	< 6.5 Watts, < 8.5 Watts with Frame Sync option

<sup>a</sup> Grass Valley no longer supports PAL-M in any of its modular products. Although this setting may work in certain applications, Grass Valley will not warrant that it works or provide support if problems are encountered using this product with PAL-M signals. This product has not been modified to eliminate support for PAL-M. If this product has been used with PAL-M in the past without problems, there shouldn't be any issues using it for the same application. However, it is not recommended that customers use it in any new PAL-M applications.

# Service

The 8960ENC modules make extensive use of surface-mount technology and programmed parts to achieve compact size and adherence to demanding technical specifications. Circuit modules should not be serviced in the field unless directed otherwise by Customer Service.

If your module is not operating correctly, proceed as follows:

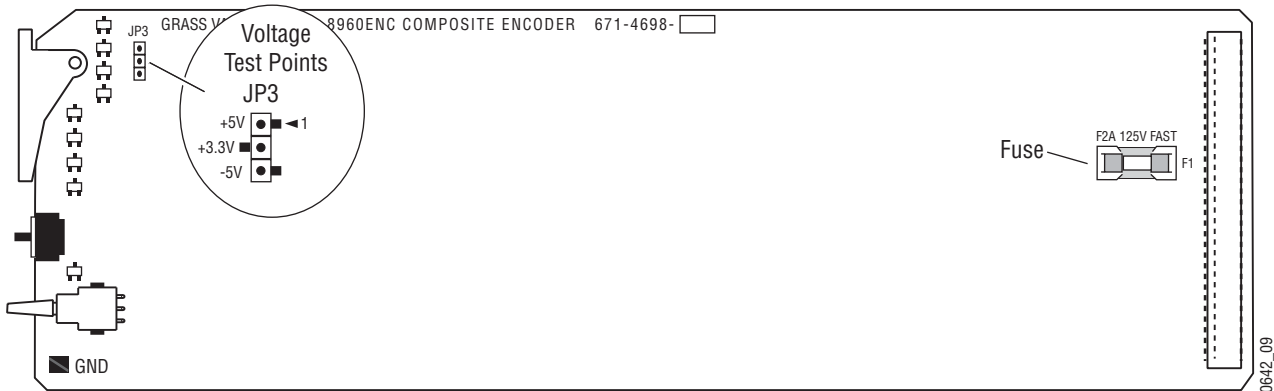
- Check frame and power and signal present LEDs.
- Check module voltage testpoints and fuse (Figure 25).
- Check for presence and quality of input signals.
- Verify that source equipment is operating correctly.
- Check cable connections.

Refer to Figure 7 for the location of PWR LED and Table 2 on page 17 for proper LED indications.

If the module is still not operating correctly, replace it with a known good spare and return the faulty module to a designated Grass Valley repair depot. Call your Grass Valley representative for depot location.

Refer to the *Contacting Grass Valley on page 4* at the front of this document for the Grass Valley Customer Service Information number.

Figure 25. Module Voltage Testpoints and Fuse



## Status Monitoring

This section provides a summary of status monitoring and reporting for a 8900 Series system. It also summarizes what status items are reported and how to enable/disable reporting of each item. There are a number of ways to monitor status of modules, power supplies, fans and other status items depending on the method of monitoring being used.

8900 Frame status will report the following items:

- Power supply health,
- Status of fans in the frame front cover,
- Temperature,
- Module health, and
- Frame bus status.

Module health status will report the following items:

- Internal module state (and state of submodule or options enabled) including configuration errors (warning), internal faults, and normal operation (Pass).
- Signal input states including valid/present (pass), not present or invalid (warning), not monitored, and not available (no signal inputs).
- Reference input states including locked/valid (pass), not locked/invalid (warning), and not monitored.
- Signal output states with reporting functionality (reference output).

## LEDs

LEDs on modules in the frame and on the front of the 8900 frames indicate status of the frame and the installed power supplies, fans in the front covers, and modules. (The 8900TX-V/A frames have no LED indicators on the front cover.)

When a red FAULT LED is lit on a frame front cover, the fault will also be reported on the 8900NET or Frame Monitor module. The LEDs on the front of these modules can then be read to determine the following fault conditions:

- Power Supply 1 and 2 health,
- Fan rotation status,
- Frame over-temperature condition,
- Frame Bus fault (8900NET only), and
- Module health bus.

In general, LED colors used on the frame and modules indicate:

- Green – normal operation, (Pass) or signal present, module locked.
- Red – On continuously = fault condition, flashing = configuration error.
- Yellow – On continuously = active condition (configuration mode or communication), flashing in sequence = module locator function.

Status LEDs for this module are described in [Operation Indicator LEDs on page 16](#). LEDs for the 8900NET module are described in the *8900NET Network Interface Instruction Manual*.

## Frame Alarm

A Frame Alarm connection is available on pins 8 and 9 of the RS-232 connector on the rear of 8900 frame (Frame Monitor or 8900NET Network Interface module required). This will report any of the status items enabled with the 8900NET or Frame Monitor module configuration DIP switch. Connection and use of the Frame Alarm is covered in detail in the 8900NET Network Interface Instruction Manual.

## Web Browser Interface

When the 8900NET module is installed in the frame, a web browser GUI can indicate frame and module status on the following web pages:

- Frame Status web page – reports overall frame and module status in graphical and text formats.
- Module Status web page – shows specific input and reference signal status to the module along with enabled options and module versions.
- A Status LED icon on each web page to report communication status for the frame slot and acts as a link to the Status web page where warnings and faults are displayed (8900NET version 3.0 or later).

In general, graphics and text colors used indicate the following:

- Green = Pass – signal or reference present, no problems detected.
- Red = Fault – fault condition.
- Yellow = Warning – signal is absent, has errors, or is mis-configured.
- Gray = Not monitored (older 8900 module).
- White = Not present.

Status reporting for the frame is enabled or disabled with the configuration DIP switches on the 8900NET module. Some module status reporting items can also be enabled or disabled on individual configuration web pages.

## SNMP Reporting

The Gecko 8900 Series system uses the Simple Network Monitoring Protocol (SNMP) internet standard for reporting status information to remote monitoring stations. When SNMP Agent software is installed on the 8900NET module, enabled status reports are sent to an SNMP Manager such as the Grass Valley's NetCentral application.

There are both hardware and software report enable switches for each report. Both must be enabled for the report to be sent. Software report switches are set on the 8900NET Configuration web page for the Frame, the 8900NET module, and each module slot. Refer to the *8900NET Network Interface Instruction Manual* for installation instructions.



# Index

## Numerics

- 8900 frame
  - frame alarm [52](#)
  - status reporting [51](#)
- 8900FSS (Frame Sync option) [37](#)
  - installation [10](#)
  - termination [10](#)
- 8900FSS Frame Sync [22](#)
- 8900GFR-R rear module
  - installation [13](#)
- 8900NET module
  - required software version [26](#)
- 8960ENC module
  - features [9](#)

## A

- activate freeze [37](#)
- Apply button [29](#)

## B

- backplane [12](#)
- black burst
  - reference input [15](#)
- black level
  - local control [24](#)
  - remote control [34](#)
  - summary table [20](#)
- blank rear cover [13](#)
- block diagram [45](#)
- burst signal
  - local control [24](#)
  - remote control [40](#)
  - summary table [21](#)

## C

- calibrated levels [34](#)
- chroma level
  - local control [24](#)

- remote control [34](#)
- summary table [20](#)
- chrominance signal
  - local control [24](#)
  - remote control [40](#)
  - summary table [21](#)
- configuration [22](#)
  - local [22](#)
  - Newton Control Panel [20](#)
  - Remote, GUI [26](#)
  - summary [19](#)
  - summary table [20](#)
- connectors [15](#)
- control panel [26](#)
- controller module [11](#)
- cross color removal
  - local control [25](#)
  - remote control [40](#)
  - summary table [21](#)

## D

- delay [37](#)
- documentation online [4](#)

## E

- enable SNMP [53](#)
- environmental [49](#)

## F

- factory default [16, 19](#)
- factory defaults
  - recalling with local controls [24](#)
  - remote control [41](#)
  - summary table [20, 21](#)
- FAQ database [4](#)
- fault [17](#)
- FAULT LED
  - troubleshooting [51](#)

- fine delay
  - local control [25](#)
  - remote control [37](#)
  - summary table [21](#)
- frame [11, 49](#)
  - module placement [12](#)
- Frame Health Reporting [42](#)
- Frame Status page [52](#)
- freeze controls
  - local controls [25](#)
  - remote controls [37](#)
  - summary table [21](#)
- frequently asked questions [4](#)
- front module
  - installation [14](#)

## G

- Gecko 8900 Frame
  - module installation [11](#)
- GeckoFlex frame
  - module installation [13](#)
- graphical user interface (GUI) [29](#)
- Grass Valley web site [4](#)

## H

- horizontal delay [37](#)
  - local control [25](#)
  - remote control [37](#)
  - summary table [21](#)
- hue
  - local control [24](#)
  - remote control [34](#)
  - summary table [20](#)

## I

- indicators [17](#)
- input
  - loophrough [15](#)
  - specification [48](#)
  - standard [19](#)
  - termination [15](#)
- inputs
  - reference [15](#)
- installation

- 8900FSS (Frame Sync option) [10](#)
- 8900GFR-R rear module [13](#)
- front module [14](#)

## L

- Learn Module Config button [42](#)
- LED Reporting [42](#)
- line 21 setup
  - local control [24](#)
  - summary table [20](#)
- line 22 setup
  - local control [24](#)
  - summary table [20](#)
- locate module [42](#)
- lock source [37](#)
- lock source selection
  - local control [25](#)
  - remote control [37](#)
  - summary table [20](#)
- loop-through [15](#)
- luma level
  - local control [24](#)
  - remote control [34](#)
  - summary table [20](#)

## M

- manual freeze [37](#)
- manual standard selection
  - local control [24](#)
  - remote control [32](#)
  - summary table [20](#)
- Mode [21](#)
- module
  - controller [11](#)
  - installation [11](#)
  - power supply [11](#)
  - slots [12](#)
- module health status [51](#)
- Module Status page [52](#)

## N

- Newton Control Panel
  - overview [26](#)
  - summary table [20](#)



numeric displays [34](#)

## O

online documentation [4](#)

operational modes [17](#)

output video level  
 local control [24](#)  
 remote control [33](#)  
 summary table [20](#)

output video setup  
 local control [24](#)  
 summary table [20](#)

outputs  
 analog [48](#)  
 cabling [15](#)  
 serial digital [49](#)

## P

PAL-M  
 disclaimer [25](#)

power [49](#)

power supply [11](#)

processing amplifier controls [34](#)

## R

rear connectors [12](#)

Recall Factory Defaults web page [41](#)

reference input impedance jumper [22](#)

reference inputs [15](#)

Refresh button [29](#)

remote/local jumper [22](#)

repair depot [50](#)

report enable switches [53](#)

Restore Upon Install function [42](#)

## S

SDI [15](#)

Slot Config web page [42](#)

slot memory [42](#)

SMPTE 259M [15](#), [49](#)

SNMP reporting  
 enabling [42](#)

overview [53](#)

software download from web [4](#)

standard recognition  
 local control [24](#)  
 remote control [31](#)  
 summary table [20](#)

Standard Selection web page [31](#)

status monitoring [51](#)

Status web page [30](#)

submodule [22](#)

switches [22](#)

sync timing adjustment [37](#)

## T

termination [15](#)

test mode enable  
 local control [25](#)  
 remote controls [40](#)  
 summary table [21](#)

test signal selection  
 local mode [25](#)  
 remote control [40](#)  
 summary table [21](#)

timing [37](#)

Timing web page [37](#)

troubleshooting [50](#)

## U

user adjustments  
 local control [24](#)  
 remote control [34](#)  
 summary table [20](#)

## V

vertical delay [37](#)  
 local control [25](#)  
 remote control [37](#)  
 summary table [21](#)

vertical interval setup  
 local control [25](#)  
 summary table [20](#)

VI (vertical interval) processing  
 local control [24](#)  
 remote control [40](#)

## *Index*

summary table [21](#)  
video processing [40](#)  
voltage specification [49](#)

## **W**

web browser  
  overview [27](#)  
web site documentation [4](#)  
web site FAQ database [4](#)  
web site Grass Valley [4](#)  
web site software download [4](#)