

8900GEN-SM

GECKOFLEX GENLOCK SUBMODULE

Instruction Manual



071848800
SEPTEMBER 2006

CERTIFICATE

Certificate Number: 510040.001

The Quality System of:

Grass Valley, Inc.

400 Providence Mine Road
Nevada City, CA 95945
United States

15655 SW Greystone Ct.
Beaverton, OR 97006
United States

10 Presidential Way
3rd Floor, Suite 300
Woburn, MA 01801
United States

Nederland B.V.
4800 RP BREDA
The Netherlands

Weierstadt, Germany
Brunnenweg 9
D-64331 Weierstadt
Germany

Rennes, France
Rue du Clos Courtel
Cesson-Sevigne, Cedex
France

Technopole Brest Iroise
CS 73808
29238 Brest Cedex 3
France

17 rue du Petit Albi-BP 8244
95801 Cergy Pontoise
Cergy, France

2300 South Decker Lake Blvd.
Salt Lake City, UT 84119
United States

7140 Baymeadows Way
Suite 101
Jacksonville, FL 32256
United States

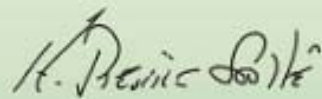
Including its implementation, meets the requirements of the standard:

ISO 9001:2000

Scope:

The design, manufacture and support of video hardware and software products and related systems.

This Certificate is valid until: June 14, 2009
This Certificate is valid as of: August 30, 2006
Certified for the first time: June 14, 2000



H. Pierre Sallé
President
KEMA-Registered Quality

The method of operation for quality certification is defined in the KEMA General Terms And Conditions For Quality And Environmental Management Systems Certifications. Integral publication of this certificate is allowed.

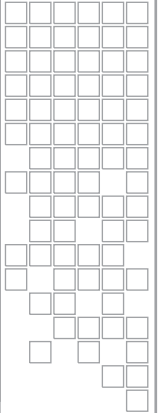
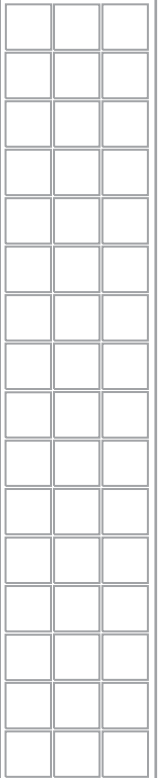
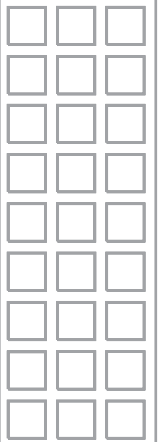
8900GEN-SM

GECKOFLEX GENLOCK SUBMODULE

Instruction Manual



071848800
SEPTEMBER 2006



Contacting Grass Valley

Region	Voice	Fax	Address	Web Site
North America	(800) 547-8949 Support: 530-478-4148	Sales: (530) 478-3347 Support: (530) 478-3181	Grass Valley P.O. Box 599000 Nevada City, CA 95959-7900 USA	www.thomsongrassvalley.com
Pacific Operations	+852-2585-6688 Support: 852-2585-6579	+852-2802-2996		
U.K., Asia, Middle East	+44 1753 218 777	+44 1753 218 757		
France	+33 1 45 29 73 00			
Germany, Europe	+49 6150 104 782	+49 6150 104 223		

Copyright © Grass Valley. All rights reserved.
This product may be covered by one or more U.S. and foreign patents.

Grass Valley Web Site

The www.thomsongrassvalley.com web site offers the following:

Online User Documentation — Current versions of product catalogs, brochures, data sheets, ordering guides, planning guides, manuals, and release notes in .pdf format can be downloaded.

FAQ Database — Solutions to problems and troubleshooting efforts can be found by searching our Frequently Asked Questions (FAQ) database.

Software Downloads — Software updates, drivers, and patches can be downloaded.



END-OF-LIFE PRODUCT RECYCLING NOTICE

Grass Valley's innovation and excellence in product design also extends to the programs we've established to manage the recycling of our products. Grass Valley has developed a comprehensive end-of-life product take back program for recycle or disposal of end-of-life products. Our program meets the requirements of the European Union's WEEE Directive, the United States Environmental Protection Agency, and U.S. state and local agencies.

Grass Valley's end-of-life product take back program assures proper disposal by use of Best Available Technology. This program accepts any Grass Valley branded equipment. Upon request, a Certificate of Recycling or a Certificate of Destruction, depending on the ultimate disposition of the product, can be sent to the requester.

Grass Valley will be responsible for all costs associated with recycling and disposal, including freight. However, you are responsible for the removal of the equipment from your facility and packing the equipment to make it ready for pickup.

For further information on the Grass Valley product take back system please contact Grass Valley at + 800 80 80 20 20 or +33 1 48 25 20 20 from most other countries. In the U.S. and Canada please call 800-547-8949 or 530-478-4148, and ask to be connected to the EH&S Department. Additional information concerning the program can be found at: www.thomsongrassvalley.com/environment



Contents

- 8900GEN-SM GeckoFlex Genlock Submodule** 7
 - Introduction 7
 - Genlock Submodule Overview 8
 - Submodule Installation 9
 - Cabling External Reference 9
 - Configuring the Genlock Submodule 11
 - Status Web Page 11
 - Genlock Web Page 14
 - System Config Web Page 17
 - Reference Restore 20
 - 8900GEN-SM Applications 21
 - Primary and Secondary Redundancy 21
 - Module Placement and Cabling For Redundant Reference 22
 - Primary and Secondary Redundancy Configuration 23
 - Testing Redundancy 33
 - Using the Redundant Reference Configuration 35
 - Using Independent Frame Bus References 37
 - Module Placement and Cabling For Independent Frame Buses 37
 - Independent Frame Bus Configuration 38
 - Using Local and Frame Bus References 48

- Index** 49

8900GEN-SM GeckoFlex Genlock Submodule

Introduction

The 8900GEN-SM GeckoFlex Genlock submodule is a versatile and powerful timing solution that provides a configurable external reference for individual modules or transmits two independent or redundant frame bus references to the entire GeckoFlex frame. The submodule must be mounted on a compatible host module in the GeckoFlex 8900 Series product line. Positioning of the submodule on a host module in the frame determines how the submodule is used as explained in this manual.

Each 8900GEN-SM supports:

- One of two independent Frame Buses for distributing genlock timing references to any module in the frame,
- A frame reference redundancy configuration,
- A Local external reference to any single compatible GeckoFlex module,
- Reference input standard selections of NTSC, PAL, 1080i/720p 59.94, 1080i/720p 50, 1080p/sF 24, AES 48K, AES 96K, Word Clock 48K, and Word Clock 96K.
- Remote control via a frame ethernet interface and a Newton Control Panel.

Genlock Submodule Overview

Before installing the 8900GEN-SM submodule on the host module, it is important to understand an overview of the various ways that the 8900GEN-SM can be used and how genlock timing can be configured.

The 8900GEN-SM submodule can provide a local external genlock timing reference to the host module it is mounted on or it can be configured to transmit an external reference to the entire GeckoFlex frame on one of two frame buses.

When a GeckoFlex host module with an 8900GEN-SM submodule is installed in slot 1 it can be configured to transmit the external reference fed to the Genlock Loop BNCs on the rear module to Frame Bus 1. Frame Bus 1 is available to every slot in the GeckoFlex frame. Another GeckoFlex module in the frame can be configured to accept this reference.

Frame Bus 2 can be transmitted from the GeckoFlex host module with an 8900GEN-SM submodule when the host module is installed in slot 3 of the frame. This bus is also fed to every slot in the GeckoFlex frame. The choice of which frame reference to use is made on the System Config web page for each individual module in the frame. This allows two different references to be fed simultaneously to the entire frame.

This functionality allows for a Primary and Secondary redundant configuration. This application allows a house reference input to be designated as the Primary timing source while a backup Secondary house reference can be configured to automatically take the place of the Primary if it fails. When the Primary timing source recovers, the user can set the system to return to the Primary source automatically or to reset the Primary manually and can also set the amount of time before the restored Primary is switched back.

The configuration of Frame Bus 1 from slot 1 and Frame Bus 2 from slot 3 cannot be changed, so plan the placement of your GeckoFlex modules to take advantage of the versatility of this functionality. This section provides you with some ideas for taking advantage of the full potential of the Genlock function.

Using the GeckoFlex genlock timing is summarized in examples for the following configurations:

- Primary and Secondary redundancy – when the Primary reference is lost, the Secondary backup reference will replace the Primary.
- Using two different Frame Bus references – Frame Bus 1 can be NTSC Black for example and Frame Bus 2, 1080i 59.94 for HD modules in the frame.
- Using Local and Multiple references – the modules in the GeckoFlex frame can receive the genlock from a local or frame bus source in any combination.

Submodule Installation

Install the 8900GEN-SM submodule on the circuit board of the host module according to the steps given in the specific host module instruction manual. If you will be using the frame buses, you will need to enable the specific Frame Bus jumpers on each host module circuit board. The jumper numbers and placement will depend on the GeckoFlex host module.

Cabling External Reference

The external reference fed to the Genlock submodule is input to the Genlock Loop BNCs on the corresponding host rear module. The Genlock submodule must then be configured to one of the frame rates in the reference Input Standard Selection pulldown on the Genlock web page. [Table 1](#) lists the available frame rates in the pulldown and the compatible reference inputs that will report a locked condition on the Genlock web page.

Note If the Input Selection Standard selected on the Genlock web page does not match the reference input exactly, a warning will be generated. Refer to [Figure 8 on page 26](#).

Table 1. Reference Frame Rate Compatibility

Reference Input Standard Selection	Reference Detected	Mismatch Warning
NTSC	NTSC	None
	1080i 59.94 TLS	Yes ¹
	720p 59.94	Yes ¹
PAL	PAL	None
	1080i 50 TLS	Yes ¹
	720p 50 TLS	Yes ¹
1080i 59.94 TLS	1080i 59.94 TLS	None
	NTSC	Yes ¹
	720p 59.94 TLS	Yes ¹
720p 59.94 TLS	720p 59.94 TLS	None
	NTSC	Yes ¹
	1080i 59.94 TLS	Yes ¹
1080i 50 TLS	1080i 50 TLS	None
	PAL	Yes ¹
	720p 50 TLS	Yes ¹
720p 50 TLS	720p 50 TLS	None
	PAL	Yes ¹
	1080i 50 TLS	Yes ¹

Table 1. Reference Frame Rate Compatibility

Reference Input Standard Selection	Reference Detected	Mismatch Warning
1080p 24 TLS	1080ip 24 TLS	None
	1080sf 24 TLS	Yes ¹
	PAL	Yes ¹
	1080i 50 TLS	Yes ¹
	720p 50 TLS	Yes ¹
1080sf 24 TLS	1080isf 24 TLS	None
	1080p 24 TLS	Yes ¹
	PAL	Yes ¹
	1080i 50 TLS	Yes ¹
	720p 50 TLS	Yes ¹
AES 48K	AES 48K	None
	AES 96K	Yes ¹
	Word Clock 48K	Yes ¹
	Work Clock 96K	Yes ¹
AES 96K	AES 96K	None
	AES 48K	Yes ¹
	Word Clock 48K	Yes ¹
	Work Clock 96K	Yes ¹
Word Clock 48K	Word Clock 48K	None
	AES 48K	Yes ¹
	AES 96K	Yes ¹
	Work Clock 96	Yes ¹
Word Clock 96K	Word Clock 96K	None
	AES 48K	Yes ¹
	AES 96K	Yes ¹
	Work Clock 48K	Yes ¹

¹ This input standard will lock but will generate a Warning on both the Genlock and Status web pages but will not affect the locked condition.

Configuring the Genlock Submodule

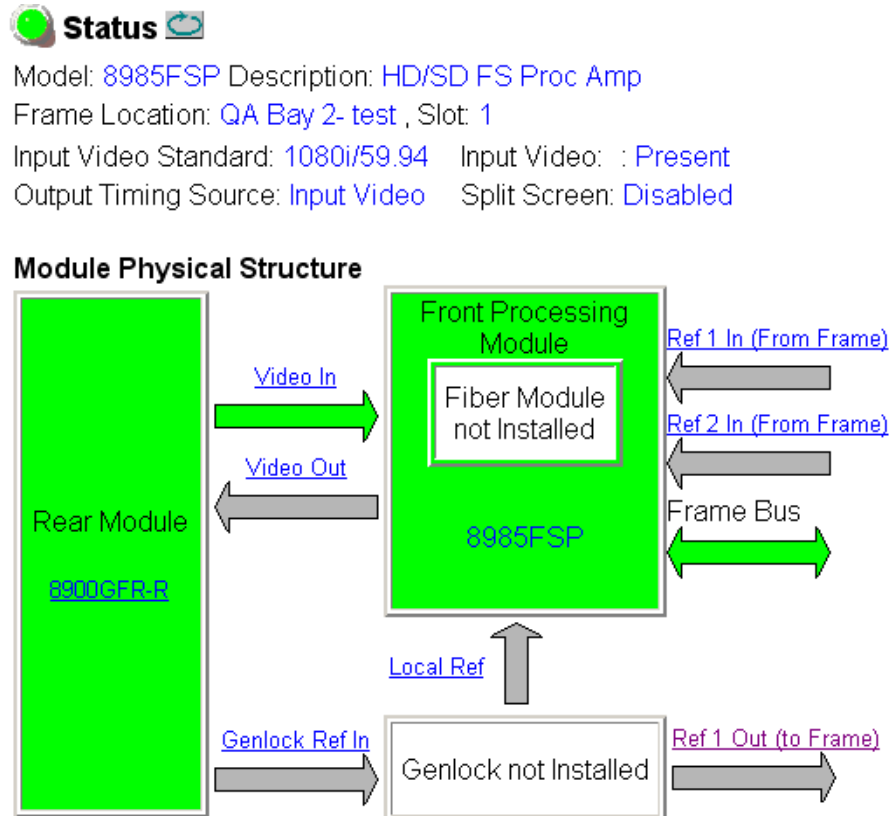
Configuration and monitoring of the Genlock submodule is done primarily with the host module Status, System Config, and Genlock web pages. This section gives a general overview of the controls that pertain to the Genlock submodule. The examples used here are with an 8985FSP module.

Status Web Page

As shown in the example of an 8985FSP module in [Figure 1](#), the presence of a genlock submodule is reported in the top graphic portion of the host module Status web page. In this example no genlock module is detected on the host module in slot 1 of the frame.

The Genlock Ref In, Local Ref, Ref 1 Out (to Frame), Ref 1 In (From Frame), and Ref 2 In (From Frame) indicator arrows are grayed out as no genlock is available and no functionality can be enabled. These are the main components related to the Genlock submodule on the Status web page.

Figure 1. No Genlock Module Installed



As shown in [Figure 2](#), a genlock submodule has been installed on the host module and configured for full functionality. Note that the name of the host module (circled in the figure) now has a + GEN extension indicating the presence of a genlock module.

[1 8985FSP+GEN](#)

- [Status](#)
- [I/O Config](#)
- [Video Input](#)
- [System Config](#)
- [Frame Sync](#)
- [Color Correction](#)
- [Video Proc](#)
- [User Settings](#)
- [Genlock](#)
- [Video Out](#)
- [Slot Config](#)

The web page links for the host GeckoFlex module, shown at left, will now also include a link to the Genlock web page.

The Genlock module graphic now indicates it is present. The colors of the graphic boxes and arrows indicate the following in general about the presence and status of the reference signal(s):

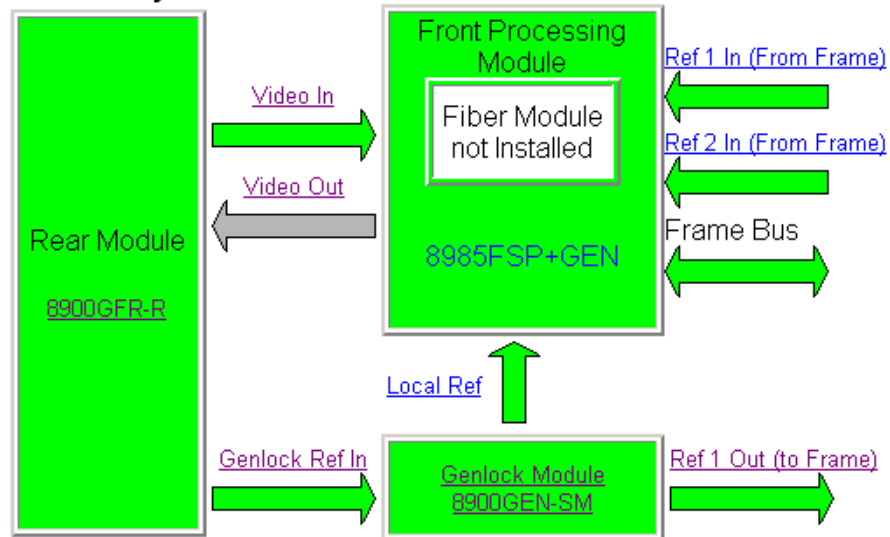
- Green – reference signal or bus is enabled, signal is present and locked, and video/reference input is compatible with reference input frame rate.
- Yellow – reference signal is missing, freerunning (invalid), or reference signal does not match selected genlock standard format.
- Gray – reference bus is not enabled or reference signal is not available or configured for use (no genlock installed).

Figure 2. Status Web Page of Host Module



Model: **8985FSP+GEN** Description: HD/SD FS Proc Amp
 Frame Location: QA Bay 2- test , Slot: 1
 Input Video Standard: 1080i/59.94 Input Video: : Present
 Output Timing Source: Ref Bus 1 Split Screen: Disabled

Module Physical Structure



The arrows referring to the reference signal in the upper graphic portion of the Status web page header represent the following:

- Genlock Ref In – this arrow indicates a genlock reference is connected to the Genlock Loop on the host rear module. Clicking on this link will open the host module I/O Config web page where a signal name can be assigned to this input.
- Genlock Module 8900GEN-SM – clicking on this link will bring up the Genlock web page where the configuration of the Genlock submodule can be performed. See [Genlock Web Page on page 14](#).
- Local Ref – this arrow reports the presence and status of an input from the Genlock Loop. This signal is available to the host module as a Local reference processed on the Genlock submodule. Selecting this link opens the host module System Config web page where the desired output timing reference can be selected.
- Ref 1 Out (to Frame) – this arrow indicates the Ref 1 frame bus is available from this module. Only the host module with a Genlock submodule installed in slot 1 of the frame has this arrow. Selecting this link will bring up the host module I/O Config page.

Note A host module with a Genlock submodule installed in slot 3 of the frame will show this arrow as Ref 2 Out (to Frame).

- Ref 1 In (from Frame) – this arrow represents the status of the Ref 1 frame bus. Clicking this link will bring up the Genlock web page for the host module in slot 1 of the frame.
- Ref 2 In (from Frame) – this arrow represents the status Ref 2 frame bus. Clicking this link will bring up the Genlock web page for the host module in slot 3 of the frame.

Genlock Web Page

[1 8985FSP+GEN](#)

[Status](#)

[I/O Config](#)

[Video Input](#)

[System Config](#)

[Frame Sync](#)

[Color Correction](#)

[Video Proc](#)

[User Settings](#)

[Genlock](#)

[Video Out](#)

[Slot Config](#)

The Genlock web page ([Figure 3 on page 15](#)) provides reporting status for the following genlock status items:

- Genlock – reports status of Genlock function as **Enabled** or **Freerun**.
- Status – reports whether the reference input is **Locked** or **Invalid**.
- Firmware Version – reports the firmware version of the 8900GEN-SM submodule installed on this host module.
- Hardware Version – reports the hardware version of the 8900GEN-SM submodule installed on this host module. (See [Figure 4 on page 16](#) if a hardware message appears on the Genlock web page.
- Ref Input Standard – reports the reference input standard detected by the 8900GEN-SM submodule that is connected to the Genlock Loop on the host rear module.
- Ref Input Frame Rate – reports the frame rate of the reference input as detected by the submodule.
- Output Bus Frame Rate – reports the frame rate being output on the frame bus.
- Output Bus – reports the reference bus (Ref Bus 1 or Ref Bus 2) being output from the submodule.

Genlock Control

The following controls are available for configuring the Genlock submodule:

- **Enable** or **Freerun** – select one of the radio buttons to enable the Genlock submodule or allow the reference to freerun.
- **Input Standard Selection** – use this control to set the input standard needed for the reference input. Refer to [Table 1 on page 9](#) for compatible rates.
- **Loop Bandwidth** – set this control for either fast locking (**Fast Lock**) to the reference or for the lowest jitter performance (**Low Jitter**) depending on the stability of the reference signal being used. For example, if Low Jitter is selected and the Status is still **Invalid** after one minute has passed, the input reference has excessive wander that cannot be tracked in Low Jitter mode. Switch to **Fast Lock** and verify Status is **Locked** after about 10 seconds

Genlock Timing

Use the following controls to adjust the output timing of the genlock reference signal from this submodule:

- **Line Offset** – adjust the reference timing stream by standard definition line steps up to one full frame.
- **Coarse Offset** – provides coarse adjustment of the reference timing stream by 37 ns steps up to one line.
- **Fine Offset** – provides fine adjustment of the reference timing stream by steps up to 37 ns.

Figure 3. Genlock Web Page

Genlock

Model: 8900GEN-SM Description: GeckoFlex Genlock Submodule
 Genlock: Enabled Ref Input Standard: 1080i 59.94
 Status: Locked Ref Input Frame Rate: 29.97
 Firmware Version: 6 Output Bus Frame Rate: 29.97
 Hardware Revision: 1 Output Bus: Ref2

Genlock Control

Genlock: Enable Freerun

Input Standard Selection: 1080i 59.94

Loop Bandwidth: Low Jitter Fast Lock

Genlock Bus Timing

Line Offset	Coarse Offset (37ns)
<< < 0 * > >> < >	<< < 0 * > >> < >
Fine Offset (37ns/256)	
<< < 0 * > >> < >	


Drive Frame Reference Bus: Auto

Defaults

If the message “AES Ref Input Selection requires Hardware Version 1 or greater” appears under the header information (Figure 4), the submodule has an earlier firmware and hardware version. This version hardware will not work with the AES frame rates. If you need to use AES, contact Customer Service for how to update this submodule.

Note Reference frame bus functionality is not affected by this older version submodule, only recognition of AES reference frame rates.

Figure 4. Genlock Submodule Hardware Message

 **Genlock** 

Model: 8900GEN-SM Description: GeckoFlex Genlock Submodule
 Genlock: Enabled Ref Input Standard: 1080i 59.94
 Status: Locked Ref Input Frame Rate: 29.97
 Firmware Version: 4 Output Bus Frame Rate: 29.97
 Hardware Revision: 0 Output Bus: Ref2

AES Ref Input Selection requires Hardware Revision 1 or greater

Genlock Control

Genlock: <input checked="" type="radio"/> Enable <input type="radio"/> Freerun
Input Standard Selection: 1080i 59.94 ▼
Loop Bandwidth: <input type="radio"/> Low Jitter <input checked="" type="radio"/> Fast Lock

Genlock Bus Timing

<p>Line Offset</p> <p><< < 0 * > >></p> <p> < > </p>	<p>Coarse Offset (37ns)</p> <p><< < 0 * > >></p> <p> < > </p>
<p>Fine Offset (37ns/256)</p> <p><< < 0 * > >></p> <p> < > </p>	

System Config Web Page

[1 8985FSP+GEN](#)

[Status](#)

[I/O Config](#)

[Video Input](#)

[System Config](#)

[Frame Sync](#)

[Color Correction](#)

[Video Proc](#)

[User Settings](#)

[Genlock](#)

[Video Out](#)

[Slot Config](#)

The System Config web page ([Figure 5 on page 18](#)) is used to set the Video Input type and rate and to set up the Output Timing configuration. This section gives a general overview of the controls that pertain to Genlock operation on this host module web page. Refer to [8900GEN-SM Applications on page 21](#) for more specific information on setting up each different type of configuration.

Input Video

Use the following controls to set the video input type and rate.

Note The input video must be set to the same frame rate (or compatible frame rate as listed in [Table 2 on page 19](#)) as the reference input when the input video is associated with the reference input in the Output Timing controls for proper genlocking.

- **Input Type** – select the radio button corresponding to the desired input type.
- **Input Rate** – select the desired input rate from the pulldown.

Output Timing

Select the Primary and Secondary output timing source for the module as either **Local** (external reference from the 8900GEN-SM submodule mounted on this module), **Ref Bus 1** (8900GEN-SM submodule is mounted on module in slot 1 and jumpered for outputting a Ref 1 frame bus), **Ref Bus 2** (8900GEN-SM submodule is mounted on module in slot 3 and jumpered for outputting a Ref 2 frame bus), or **Input**, the reference is taken from the input video. The signal and genlock status of each reference source will be reported in the Status and Genlock columns.

When a Secondary reference source is selected that is different than the Primary, the module can be configured to switch automatically to the Secondary selected if the Primary is lost or becomes unlocked or invalid. If you do not want this action of switching to a secondary, set the Primary and Secondary sources to the same source.

Figure 5. System Config Web Page

System Config

Model: 8985FSP+GEN Description: HD/SD FS Proc Amp
 Frame Location: QA Bay 2- test , Slot: 1
 Input Video Standard: 1080i/59.94 Input Video: Coax Input : Present
 Output Timing Source: Ref Bus 1 Split Screen: Disabled

Input Video

Input Type	Input Rate
<input checked="" type="radio"/> HD 59.94	1080i/59.94 ▾
<input type="radio"/> SD	
<input type="radio"/> HD 50	
<input type="radio"/> HD 24	

Output Timing

Source Selection	Primary	Secondary	Status	GenLock
Local	<input type="radio"/>	<input type="radio"/>	Present	Locked
Ref Bus 1	<input checked="" type="radio"/>	<input type="radio"/>	Present	Locked
Ref Bus 2	<input type="radio"/>	<input checked="" type="radio"/>	Present	Locked
Input Video	<input type="radio"/>	<input type="radio"/>	Present	NA

Test Output

Colorbars Enabled

Reference Restore

Switch to Primary

Reference Switchback Delay (Seconds)

Primary - Secondary Phase Difference

Split Screen

Split Enabled

Orientation	Position (%)
<input checked="" type="radio"/> Vertical	<input type="button" value="<<"/> <input type="button" value="<"/> <input style="width: 60px; text-align: center; border: 1px solid gray;" type="text" value="50"/> <input type="button" value="*"/> <input type="button" value=">"/> <input type="button" value=">>"/>
<input type="radio"/> Horizontal	<input type="button" value=" <"/> <input style="width: 100px; background-color: #008080; border: 1px solid gray;" type="text"/> <input type="button" value="> "/>

Table 2. Input Video to Frame Reference Compatibility

Video Input Standard	Reference Detected	Mismatch Warning
480i	NTSC	None
	1080i 59.94 TLS	None
	720p 59.94	Yes ¹
576i	PAL	None
	1080i 50 TLS	None
	720p 50 TLS	Yes ¹
1080i 59.94	1080i 59.94 TLS	None
	NTSC	None
	720p 59.94 TLS	Yes ¹
720p 59.94	720p 59.94 TLS	None
	NTSC	None
	1080i 59.94 TLS	Yes ¹
1080i 50	1080i 50 TLS	None
	PAL	None
	720p 50 TLS	Yes ¹
720p 50	720p 50 TLS	None
	PAL	None
	1080i 50 TLS	Yes ¹
1080p 24	1080ip 24 TLS	None
	1080sf 24 TLS	None
	PAL	Yes ¹
	1080i 50 TLS	Yes ¹
	720p 50 TLS	Yes ¹
1080sf 24	1080isf 24 TLS	None
	1080p 24 TLS	None
	PAL	Yes ¹
	1080i 50 TLS	Yes ¹
	720p 50 TLS	Yes ¹

¹ A warning will be generated on both the Status and Genlock web pages when this condition occurs.

Reference Restore

When the Primary source has failed and the module has switched to the Secondary, the following controls allow you to set the module to switch back to the Primary automatically or manually when it is valid and locked. You may also set the amount of time before the Primary is restored.

- **Switch to Primary** – set this control to **Manual** if you wish to manually return to the Primary reference when it becomes valid and locked again or **Auto** to allow the module to switch back to the Primary reference.
- **Reference Switchback Delay** – when the control above is set for **Auto**, set the amount of time to allow between switching from the Secondary reference back to the restored Primary. The switchback time has a minimum recovery time of 30 seconds to assure that the Primary is locked and valid before the module switches back to this source.

Primary – Secondary Phase Difference

This graphic shows the total phase difference between the Primary and Secondary reference signals when they are set to different sources. When the bar is green and remains in the area before the horizontal indicator, the two references are in a range where switching between the two will show no measurable disturbance in the output video (about 72 ns of delay).

When the phase difference is larger than the recommended amount, the bar will indicate by showing a second red bar. This indicates that the phase difference is now such that switching between the two references will show a disturbance in the output video. This can be caused by a loss of one of the references or a mis-adjustment in the reference output delay of either reference. The total phase error shown in this graphic represents about 1 μ S.

If the red bar appears, check the System Config page for the presence and lock status of both the Primary and Secondary references. If there is a timing difference, use the Genlock web page timing controls to bring the two references into the green bar range. Refer to the [Primary and Secondary Redundancy on page 21](#) for a detailed description for using this function.

8900GEN-SM Applications

This section describes the most common applications for the 8900GEN-SM submodule and give instructions for configuring each application. Use this section as a guide to learning how to use the reference timing and some of the general rules that must be followed for a successful configuration.

These release notes describe three main configurations:

- Primary and Secondary redundancy ([page 21](#))
- Using two different Frame bus references ([page 37](#))
- Using Local and Multiple references together ([page 48](#))

Primary and Secondary Redundancy

One very powerful function for using the dual frame bus configuration is utilizing the 8900GEN-SM for Primary and Secondary redundancy. In this configuration, the host modules in slot 1 and slot 3 with an 8900GEN-SM installed, provide Primary and Secondary genlock bus timing references on two separate buses that are fed to all modules in the frame.

If a Primary and Secondary reference are selected in configuration and the Primary fails, the Secondary reference will take the place of the Primary. The user can select whether to automatically reinstate the Primary reference when it recovers or it can be reset manually, The user can also select the amount of time to allow before reinstating the Primary.

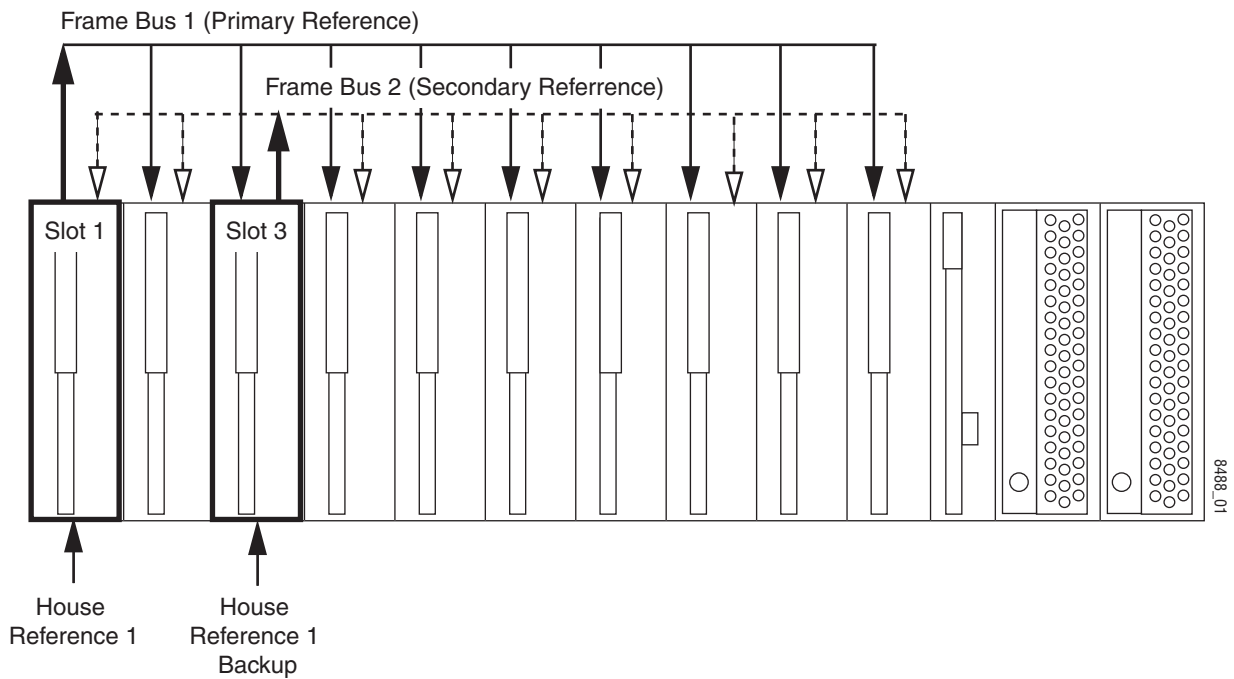
Module Placement and Cabling For Redundant Reference

As shown in the diagram in [Figure 6](#), a house reference is connected to the Genlock Loop of the host module in slot 1 with an 8900GEN-SM sub-module installed. The host module is jumpered for outputting Frame Bus 1.

A separate redundant backup of the house reference is connected to the Genlock Loop of the module with an 8900GEN-SM installed in slot 3. This module is jumpered to output Frame Bus 2. This slot configuration is fixed.

The other modules in the frame are configured for Primary and Secondary redundancy in system configuration. These modules do not require an 8900GEN-SM module to be installed and can accept the frame bus references.

Figure 6. Primary and Secondary Genlock Timing Sources



Primary and Secondary Redundancy Configuration

To use a Primary and Secondary redundancy configuration in your frame you must have the following hardware in place:

- A GeckoFlex module with an 8900GEN-SM submodule installed in slot 1 of the frame. This host module must be jumpered to output Frame Bus 1 (Primary Reference).
- A GeckoFlex module with an 8900GEN-SM submodule installed in slot 3 of the frame. This host module must be jumpered to output Frame Bus 2 (Secondary Reference).
- At least one other GeckoFlex module with frame sync capability in any of the other frame slots to set up and test the redundancy configuration. For this example, we will use an 8985FS module installed in slot 10.

Web Page Configuration

Follow the procedure below to set up a Primary and Secondary redundant configuration with the web page controls. Some controls are also available using the Newton control panel.

This example uses 8985FSP + GEN modules. Other GeckoFlex modules with this capability will be very similar. Be sure to consult the host module instruction manual for other updated pertinent information and specific configuration information for that module.

Note For these initial steps, input video is not connected to the modules in slot 1 and slot 3. This can be done later when the redundancy is working correctly. See [Using the Redundant Reference Configuration on page 35](#).

[1 8985FSP+GEN](#)

- [Status](#)
- [I/O Config](#)
- [Video Input](#)
- [System Config](#)
- [Frame Sync](#)
- [Color Correction](#)
- [Video Proc](#)
- [User Settings](#)
- [Genlock](#)
- [Video Out](#)
- [Slot Config](#)

Configure Primary Reference (Slot 1)

1. On the web page interface, locate the module in slot 1 and click on the link to that module. The 8985FSP + GEN links are shown at left.
2. Before beginning any type of configuration, select the link to the User Settings web page and select the **Set Factory Defaults** button to recall factory defaults to the host module and the 8900GEN-SM submodule.
3. Connect the reference signal intended for use as the Primary Frame Bus 1 reference to one of the Genlock Loop BNCs (J1 or J3) on the 8900GFR-R rear module in slot 1. Loop this signal to another location or terminate in 75 ohms.
4. Click on the Genlock web page link. This will bring up the Genlock web page for the module in slot 1, the Primary reference (Figure 7).

Figure 7. Primary Genlock Web Page

Genlock

Model: [8900GEN-SM](#) Description: [GeckoFlex Genlock Submodule](#)
 Genlock: [Enabled](#) Ref Input Standard: [1080i 59.94](#)
 Status: [Locked](#) Ref Input Frame Rate: [29.97](#)
 Firmware Version: [66](#) Output Bus Frame Rate: [29.97](#)
 Hardware Revision: [1](#) Output Bus: [Ref1](#)

Genlock Control

Genlock: <input checked="" type="radio"/> Enable <input type="radio"/> Freerun	
Input Standard Selection: 1080i 59.94 ▼	
Loop Bandwidth: <input type="radio"/> Low Jitter <input checked="" type="radio"/> Fast Lock	

Genlock Bus Timing

<p style="text-align: center;">Line Offset</p> <div style="display: flex; justify-content: space-between; align-items: center;"> << < 0 > >> </div> <div style="display: flex; justify-content: space-between; align-items: center; margin-top: 5px;"> < > </div>	<p style="text-align: center;">Coarse Offset (37ns)</p> <div style="display: flex; justify-content: space-between; align-items: center;"> << < 0 > >> </div> <div style="display: flex; justify-content: space-between; align-items: center; margin-top: 5px;"> < > </div>
<p style="text-align: center;">Fine Offset (37ns/256)</p> <div style="display: flex; justify-content: space-between; align-items: center;"> << < 0 > >> </div> <div style="display: flex; justify-content: space-between; align-items: center; margin-top: 5px;"> < > </div>	

Drive Frame Reference Bus: Auto ▼

Defaults

5. Set the following parameters on the Genlock web page under Genlock Control:

- Genlock – **Enabled**
- Input Selection Standard – set the pulldown frame rate to match the reference input exactly if possible or set to one of the compatible frame rates given in [Table 1 on page 9](#).

Setting the pulldown to a frame rate that does not match the reference input exactly will produce a warning message as shown in [Figure 8 on page 26](#). The reference signal will still be locked as you will note in the Genlock web page header. This is still a valid condition.

This warning message will also appear on the Status web page for this host module as shown in [Figure 9 on page 27](#). The Genlock Ref In arrow from the host module and the Status LED on the top of the page will be yellow, indicating a warning condition exists. This will not affect the Locked condition.

- Loop Bandwidth – **Fast Lock**
6. Under Genlock Bus Timing, set all the timing controls (Line Offset, Coarse Offset (37ns), and Fine Offset) to 0 (zero).
 7. Set the Drive Frame Reference Bus to **Auto**.
 8. On the Genlock web page, verify that the header reports the Status as **Locked** and the Output Bus as **Ref 1**.

Figure 8. Warning Message on Genlock Web Page

Genlock

Model: 8900GEN-SM Description: GeckoFlex Genlock Submodule
 Genlock: Enabled Ref Input Standard: 1080i 59.94
 Status: **Locked** Ref Input Frame Rate: 29.97
 Firmware Version: 66 Output Bus Frame Rate: 29.97
 Hardware Revision: 1 Output Bus: Ref1

Signal is still locked.

Warning: Reference signal does not match selected standard.

Genlock Control

Genlock: Enable Freerun

Input Standard Selection:

Loop Bandwidth: Low Jitter Fast Lock

Genlock Bus Timing

Line Offset	Coarse Offset (37ns)
<< < 0 * > >> < >	<< < 0 * > >> < >
Fine Offset (37ns/256)	
<< < 0 * > >> < >	
Drive Frame Reference Bus: <input type="text" value="Auto"/>	

Defaults

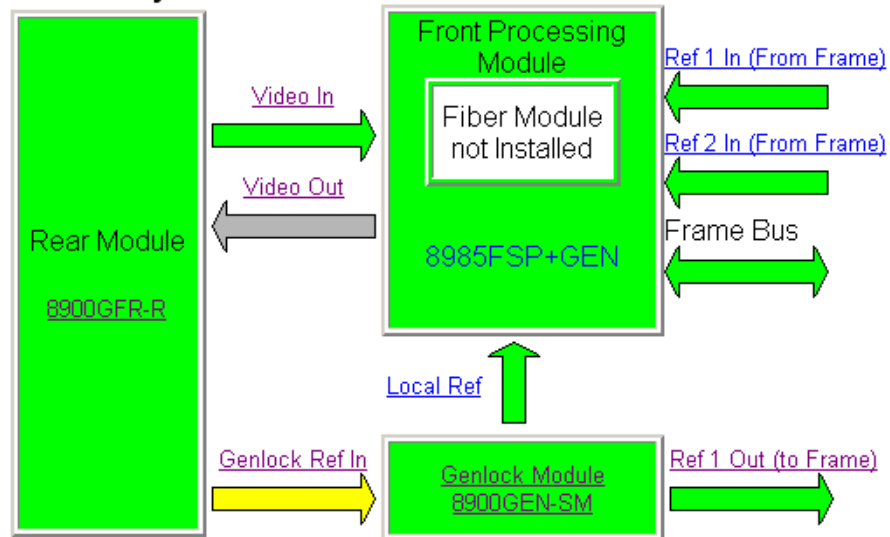
The Warning message will also appear on the Status web page of slot 1. Note that the Status LED is now yellow and the Genlock Ref In arrow is also indicating a warning condition. This will not affect the genlock operation.

Figure 9. Slot 1 Status Web Page with Warning



Model: 8985FSP+GEN Description: HD/SD FS Proc Amp
 Frame Location: QA Bay 2- test , Slot: 1
 Input Video Standard: 1080i/59.94 Input Video: Coax Input : Present
 Output Timing Source: Ref Bus 1 Split Screen: Disabled

Module Physical Structure



Warning: Reference signal does not match selected reference standard.

Status:

Front Module: **PASS**
 Rear Module: **PASS**
 Genlock Module: **PASS**
 Fiber Module: **EMPTY**

Front Module:

Part Number: 671-6724----
 Serial Number: -----
 Hardware Revision: ---
 Firmware Image 1 Version: 1.1.13
 Firmware Image 2 Version: inactive
 Firmware Image 3 Version: inactive
 Firmware Image 4 Version: inactive
 Software Version: 1.2.0
 Boot Version: 1.0.3
 Asset Tag:

- [3 8985FSP+GEN](#)
- [Status](#)
- [I/O Config](#)
- [Video Input](#)
- [System Config](#)
- [Frame Sync](#)
- [Color Correction](#)
- [Video Proc](#)
- [User Settings](#)
- [Genlock](#)
- [Video Out](#)
- [Slot Config](#)

Configure Secondary Reference (Slot 3)

1. On the web page interface, locate the module in slot 3 and click on the link to that module. The 8985FSP + GEN links are shown at left.
2. Before beginning any type of configuration, select the link to the User Settings web page and select the **Set Factory Defaults** button to recall factory defaults to the host module and the 8900GEN-SM submodule.
3. Connect the reference signal intended to be used as the Secondary Frame Bus 2 reference to one of the Genlock Loop BNCs (J1 or J3) on the 8900GFR-R rear module in slot 3. Loop this signal to another location or terminate in 75 ohms.
4. Select the Genlock link on the left to bring up the Genlock web page for the module in slot 3 (Figure 10). This will be the Secondary reference.

Figure 10. Secondary Genlock Web Page

Genlock

Model: [8900GEN-SM](#) Description: [GeckoFlex Genlock Submodule](#)
 Genlock: [Enabled](#) Ref Input Standard: [1080i 59.94](#)
 Status: [Locked](#) Ref Input Frame Rate: [29.97](#)
 Firmware Version: [6](#) Output Bus Frame Rate: [29.97](#)
 Hardware Revision: [1](#) Output Bus: [Ref2](#)

Genlock Control

Genlock: <input checked="" type="radio"/> Enable <input type="radio"/> Freerun	
Input Standard Selection: 1080i 59.94	
Loop Bandwidth: <input type="radio"/> Low Jitter <input checked="" type="radio"/> Fast Lock	

Genlock Bus Timing

<p style="text-align: center;">Line Offset</p> <div style="border: 1px solid gray; padding: 2px; display: flex; justify-content: space-between;"> << < 0 * > >> </div> <div style="border: 1px solid gray; padding: 2px; display: flex; justify-content: space-between;"> < > </div>	<p style="text-align: center;">Coarse Offset (37ns)</p> <div style="border: 1px solid gray; padding: 2px; display: flex; justify-content: space-between;"> << < 0 * > >> </div> <div style="border: 1px solid gray; padding: 2px; display: flex; justify-content: space-between;"> < > </div>
<p style="text-align: center;">Fine Offset (37ns/256)</p> <div style="border: 1px solid gray; padding: 2px; display: flex; justify-content: space-between;"> << < 0 * > >> </div> <div style="border: 1px solid gray; padding: 2px; display: flex; justify-content: space-between;"> < > </div>	

Drive Frame Reference Bus: Auto

Defaults

5. Set the following parameters under Genlock Control on the Genlock web page for slot 3:
 - Genlock – **Enabled**
 - Input Selection Standard – set to match the reference input exactly if possible or set to one of the compatible rates given in [Table 1 on page 9](#).

Note Set this pulldown to the same frame rate as the pulldown on the slot 1 Genlock page.

- Loop Bandwidth – **Fast Lock**
6. Under Genlock Bus Timing, set all the timing controls (Line Offset, Coarse Offset (37ns), and Fine Offset) to 0 (zero).
 7. Set the Drive Frame Reference Bus to **Auto**.
 8. On the Genlock web page, verify that the header reports the Status as **Locked** and the Output Bus as **Ref 2**.

Configure GeckoFlex Module for Testing Redundancy

[10 8985FS](#)

[Status](#)

[I/O Config](#)

[Video Input](#)

[System Config](#)

[Frame Sync](#)

[User Settings](#)

[Video Out](#)

[Slot Config](#)

1. Connect an SDI video signal with a frame rate matching the frame rate of the reference input (or a compatible frame rate as given in [Table 1 on page 9](#)) to the video input (J10) of the corresponding rear module for the GeckoFlex module you are using to set up and test redundancy. For this example we are using an 8985FS module (with no Genlock submodule installed) in slot 10 of the frame.
2. Locate this module in the frame using your web browser and click on the System Config web page (8985FS links are shown at left).
3. On the System Config web page ([Figure 11 on page 31](#)), select the Input type to a video format matching that of the reference input signal.
4. Set Ref Bus 1 to be the Primary Output Timing source.
5. Set Ref Bus 2 to be the Secondary Output Timing source.
6. Refresh the web page with the control at the top of the page.
7. Verify that both Ref Bus 1 and Ref Bus 2 report **Present** and **Locked** in the Status and Genlock columns.
8. Verify that the Output Timing Source reported in the System Config web page header reports **Ref Bus 1**.
9. Set the Reference Restore Switch to Primary control to **Auto** and the Reference Switchback Delay (Seconds) to the minimum value of **30.00** seconds.
10. Verify that the Primary to Secondary Phase Difference bar in the graphic is green and does not extend to the right of the horizontal tick mark on the black scale bar as shown in [Figure 11 on page 31](#).

The full length of the scale bar represents delay differences greater than 1 microsecond. The tick mark represents a delay difference of approximately 72 nanoseconds. This is the amount of delay difference (< 72 ns) that allows the Primary to switch to the Secondary with no noticeable disturbance in the output video.

11. If the Primary to Secondary Delay extends to the right of the tick mark, go back to the Genlock web page for the Secondary Ref Bus 2 in slot 3 and increase the Coarse Offset from 0 to 1 pixel (37 ns).
12. Return to the System Config web page and refresh the page. Note if the green bar has extended further to the right or has shifted to the left (reduced the difference). If this has shortened the green bar, use the controls on the slot 3 genlock web page to minimize the timing difference between the Primary and Secondary references until the green bar is similar to the one in [Figure 11 on page 31](#).

Figure 11. System Config Web Page

System Config

Model: [8985FS](#) Description: [HD/SD Frame Sync](#)
 Frame Location: [QA Bay 2- test](#) , Slot: [10](#)
 Input Video Standard: [1080i/59.94](#) Input Video: : [Present](#)
 Output Timing Source: [Ref Bus 1](#) Split Screen: [Disabled](#)

Input Video

Input Type	Input Rate
<input checked="" type="radio"/> HD 59.94	1080i/59.94 ▾
<input type="radio"/> SD	
<input type="radio"/> HD 50	
<input type="radio"/> HD 24	

Output Timing

Source Selection	Primary	Secondary	Status	GenLock
Local	<input type="radio"/>	<input type="radio"/>	Not Supported	-
Ref Bus 1	<input checked="" type="radio"/>	<input type="radio"/>	Present	Locked
Ref Bus 2	<input type="radio"/>	<input checked="" type="radio"/>	Present	Locked
Input Video	<input type="radio"/>	<input type="radio"/>	Present	NA

Test Output


Colorbars Enabled

Reference Restore

Switch to Primary ▾

Reference Switchback Delay (Seconds)

Primary - Secondary Phase Difference



Split Screen

Split Enabled

Orientation	Position (%)
<input checked="" type="radio"/> Vertical	<input type="button" value="50"/> <input type="button" value="50"/> <input type="button" value="50"/> <input type="button" value="50"/> <input type="button" value="50"/>
<input type="radio"/> Horizontal	<input type="button" value="50"/> <input type="button" value="50"/> <input type="button" value="50"/> <input type="button" value="50"/> <input type="button" value="50"/>

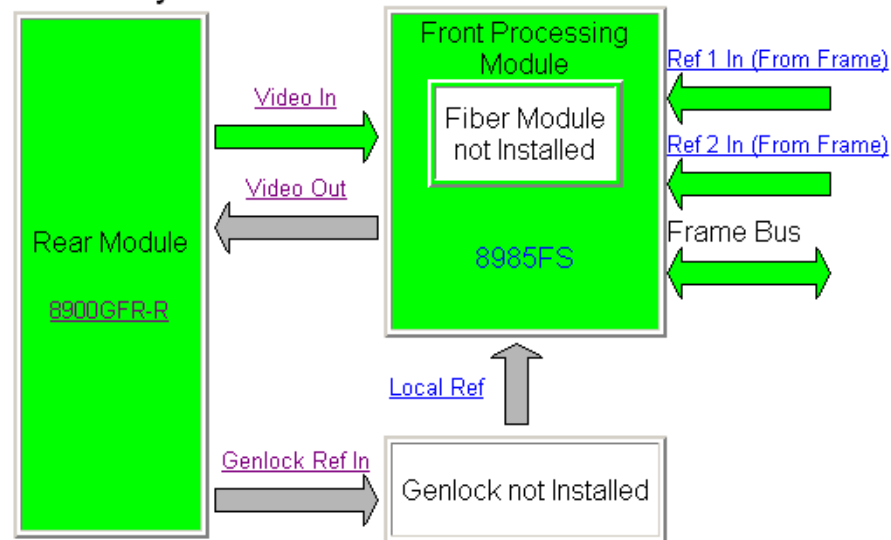
13. On the Test module in slot 10, select the link to the Status web page. Verify there are no warnings about the input video not matching the selected input type or that the input video does not match the frame rate of the selected genlock reference. Note that other messages may be present but do not affect the operation of this redundancy configuration.

Figure 12. Test Module Status Web Page



Model: [8985FS](#) Description: [HD/SD Frame Sync](#)
 Frame Location: [QA Bay 2- test](#) , Slot: [10](#)
 Input Video Standard: [1080i/59.94](#) Input Video: : [Present](#)
 Output Timing Source: [Ref Bus 1](#) Split Screen: [Disabled](#)

Module Physical Structure



Genlock Module is not installed

Status:
 Front Module: [PASS](#)
 Rear Module: [PASS](#)
 Genlock Module: [EMPTY](#)
 Fiber Module: [EMPTY](#)

Front Module:
 Part Number: [671-6724----](#)
 Serial Number: [-----](#)
 Hardware Revision: [---](#)
 Firmware Image 1 Version: [1.1.13](#)
 Firmware Image 2 Version: [inactive](#)
 Firmware Image 3 Version: [inactive](#)
 Firmware Image 4 Version: [inactive](#)
 Software Version: [1.2.0](#)
 Boot Version: [1.0.3](#)
 Asset Tag:

Testing Redundancy

To test the Primary to Secondary redundancy, use the procedure below.

1. Monitor the video output from the test module in slot 10 on a video or waveform monitor.
2. On the Genlock web page on the host module in slot 1, pull the module out of slot 1 or take off the reference input to the rear module. This will disable the Primary reference.
3. Go to the Status web page for the 8985FS module in slot 10 ([Figure 13 on page 34](#)) and note the warnings now present and whether the Output Bus Source reported in the header now reports Ref Bus 2. This shift should have occurred without causing any noticeable disturbance while monitoring the output video from the test module.

Note In 1080p/24 and 1080sf/24 rates only, there will be a noticeable disturbance on the output video when switching Primary and Secondary references.

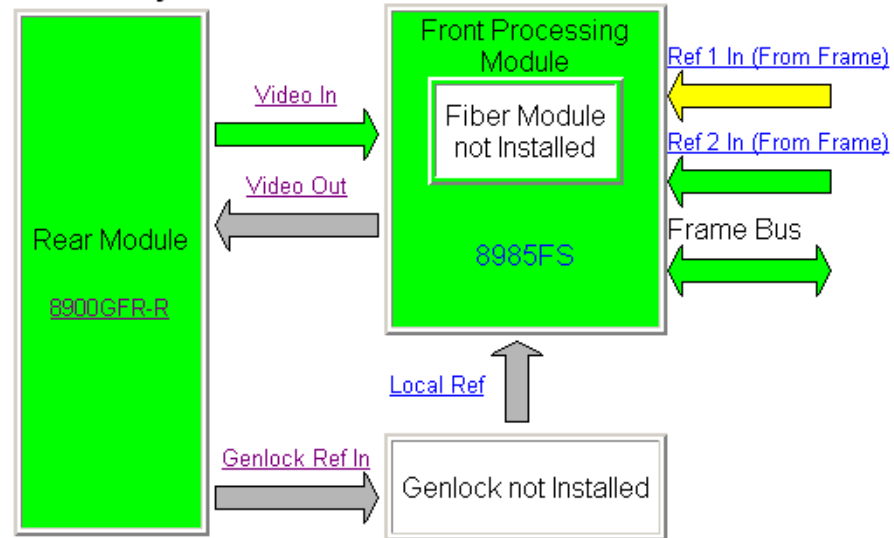
4. Return the host module to slot 1 or reconnect the reference signal to the rear genlock loop to reinstate the Primary reference.
5. Note whether the Output Timing Source returns to the Primary in the time set on the System Config page of the test module.
6. All conditions should be locked and present on the Status and System Config web pages.

Figure 13. Test Module with Primary Reference Missing

Status

Model: 8985FS Description: HD/SD Frame Sync
 Frame Location: QA Bay 2- test , Slot: 10
 Input Video Standard: 1080i/59.94 Input Video: : Present
 Output Timing Source: Ref Bus 2 Split Screen: Disabled

Module Physical Structure



Warning: Ref 1 is Not Present
 Genlock Module is not installed
Warning: Genlock Reference 1 is invalid

Status:
 Front Module: **PASS**
 Rear Module: **PASS**
 Genlock Module: **EMPTY**
 Fiber Module: **EMPTY**

Front Module:
 Part Number: 671-6724----
 Serial Number: -----
 Hardware Revision: ---
 Firmware Image 1 Version: 1.1.12
 Firmware Image 2 Version: inactive
 Firmware Image 3 Version: inactive
 Firmware Image 4 Version: inactive
 Software Version: 1.2.0
 Boot Version: 1.0.3
 Asset Tag:

Using the Redundant Reference Configuration

Now that the redundancy has been set up and tested, you may continue to populate this GeckoFlex frame and add video sources to the host modules in slot 1 and slot 3.

The 8900GEN-SM module is basically independent of its host module but the video input to the modules hosting an 8900GEN-SM submodule must match the frame rate connected to the host module rear reference input. If this reference is configured on the System Config web page. The host module is not required to use the redundant reference and it may use another reference as long as it matches the frame rate of the reference input or is compatible for locking as listed in [Table 1 on page 9](#).

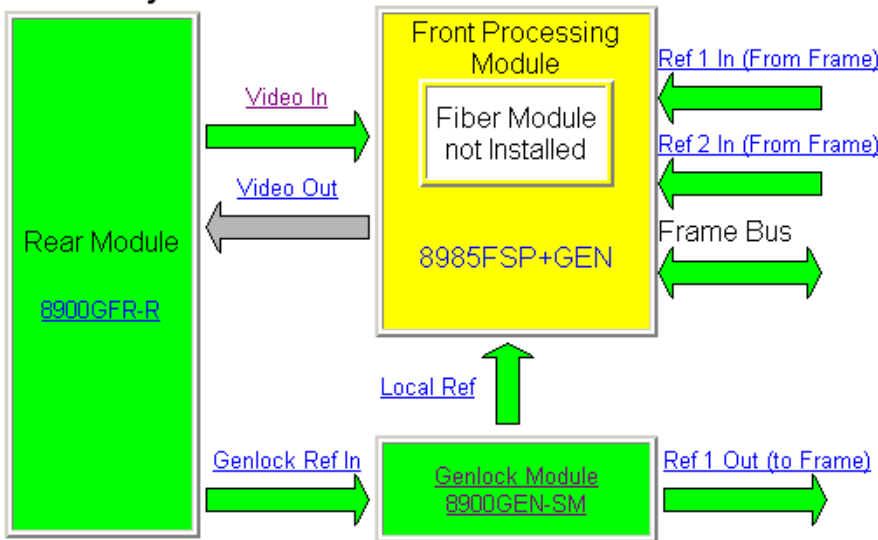
If the input video does not match the frame reference connected to the host module a warning message will be reported and the front module graphic will be yellow. The Status web page will appear similar to the one shown in [Figure 14 on page 36](#).

Figure 14. Input Video Frame Rate MisMatch to Reference Input

Status

Model: 8985FSP+GEN Description: HD/SD FS Proc Amp
 Frame Location: QA Bay 2- test , Slot: 1
 Input Video Standard: 1080i/59.94 Input Video: Coax Input : Present
 Output Timing Source: Ref Bus 2 Split Screen: Disabled

Module Physical Structure



Configuration Error: Selected video standard is incompatible with the selected reference standard.

Status:

Front Module: **WARN**
 Rear Module: **PASS**
 Genlock Module: **PASS**
 Fiber Module: **EMPTY**

Front Module:

Part Number: 671-6724----
 Serial Number: -----
 Hardware Revision: ---
 Firmware Image 1 Version: 1.1.13
 Firmware Image 2 Version: inactive
 Firmware Image 3 Version: inactive
 Firmware Image 4 Version: inactive
 Software Version: 1.2.0
 Boot Version: 1.0.3
 Asset Tag:

Using Independent Frame Bus References

As shown in [Figure 15](#), another use for utilizing the dual frame bus function is to distribute two completely different references on independent frame buses. The Primary Ref Bus 1 could be an NTSC Color Black and the Secondary Ref Bus 2, an HD standard such as 1080i 59.94, where a more precise reference is needed to time the HD signals.

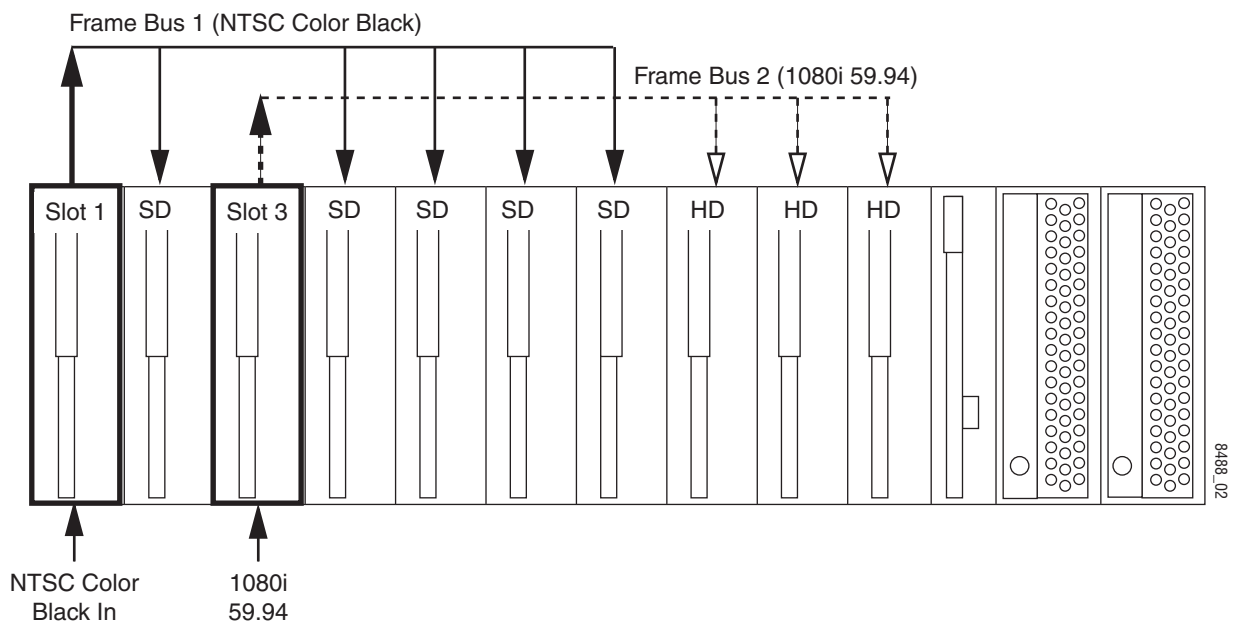
Module Placement and Cabling For Independent Frame Buses

One reference type, such as NTSC Color Black, is connected to the corresponding rear Genlock Loop of a host module with an 8900GEN-SM submodule in slot 1. A different reference such as a 1080i 59.95 frame rate, is connected to the rear Genlock Loop of a host module with an 8900GEN-SM submodule in slot 3. The host module circuit boards must be jumpered to output the frame buses to the modules in the frame.

On modules in the frame with NTSC input signals that require the NTSC timing reference, the Ref 1 (Primary) selection would be selected as the Output Timing source on each module's System Config web page. On modules requiring HD 1080i 59.94, Ref 2 (Secondary) would be selected as the Output Timing source on each module's System Config web page.

In this case, redundant operation is not needed as switching to the other reference would cause major timing errors. For this configuration, the Primary and Secondary sources on the System Config web pages should be set as the same.

Figure 15. Independent Frame Bus Genlock Timing Sources



Independent Frame Bus Configuration

To use a Primary and Secondary independent frame bus configuration in your frame you must have the following hardware in place:

- A GeckoFlex module with an 8900GEN-SM submodule installed in Slot 1 of the frame. This host module must be jumpered to output Frame Bus 1 (Primary Reference).
- A GeckoFlex module with an 8900GEN-SM submodule installed in Slot 3 of the frame. This host module must be jumpered to output Frame Bus 2 (Secondary Reference).
- One other GeckoFlex module with frame sync capability in any of the other frame slots to set up and test the Frame Bus 1 NTSC reference configuration. For this example, we will use an 8985FS module installed in slot 10.
- One other GeckoFlex module with frame sync capability in any of the other frame slots to set up and test the Frame Bus 2 1080i 59.94 reference configuration. For this example, we will use an 8985FS module installed in slot 8.

Web Page Configuration

Follow the procedure below to set up a Primary and Secondary independent configuration with the web page controls. Some controls are also available using the Newton control panel.

This example uses 8985FSP + GEN modules with software version 1.2.0. Other GeckoFlex modules with this capability will be very similar. Be sure to consult the host module Instruction Manual for other pertinent information and specific configuration information for that module.

Note For these initial steps, input video is not connected to the modules in slot 1 and slot 3. This can be done later when the redundancy is working correctly. See [Using the Redundant Reference Configuration on page 35](#).

Configure Primary Independent Reference (Slot 1)

1 8985FSP+GEN

[Status](#)

[I/O Config](#)

[Video Input](#)

[System Config](#)

[Frame Sync](#)

[Color Correction](#)

[Video Proc](#)

[User Settings](#)


[Genlock](#)

[Video Out](#)

[Slot Config](#)

1. On the web page interface, locate the module in slot 1 and click on the link to that module. The 8985FSP + GEN links are shown at left.
2. Before beginning any type of configuration, select the link to the User Settings web page and select the **Set Factory Defaults** button to recall factory defaults to the host module and the 8900GEN-SM submodule.
3. Connect the reference signal intended for use as the NTSC Primary Frame Bus 1 reference to one of the Genlock Loop BNCs (J1 or J3) on the host rear module in slot 1. Loop this signal to another location or terminate in 75 ohms.
4. Click on the Genlock web page link. This will bring up the Genlock web page for the module in slot 1 (Figure 16).

Figure 16. Primary Genlock Web Page



Genlock

Model: [8900GEN-SM](#) Description: [GeckoFlex Genlock Submodule](#)

Genlock: [Enabled](#) Ref Input Standard: [NTSC](#)

Status: [Locked](#) Ref Input Frame Rate: [29.97](#)

Firmware Version: [66](#) Output Bus Frame Rate: [29.97](#)

Hardware Revision: [1](#) Output Bus: [Ref1](#)

Genlock Control

Genlock: <input checked="" type="radio"/> Enable <input type="radio"/> Freerun
Input Standard Selection: <input type="text" value="NTSC"/>
Loop Bandwidth: <input type="radio"/> Low Jitter <input checked="" type="radio"/> Fast Lock

Genlock Bus Timing

<p>Line Offset</p> <p><< < 0 * > >></p> <p> < > </p>	<p>Coarse Offset (37ns)</p> <p><< < 0 * > >></p> <p> < > </p>
<p>Fine Offset (37ns/256)</p> <p><< < 0 * > >></p> <p> < > </p>	
Drive Frame Reference Bus: <input type="text" value="Auto"/>	
<input type="button" value="Defaults"/>	

5. Set the following parameters on the Genlock web page under Genlock Control:
 - Genlock – **Enabled**
 - Input Selection Standard – set the pulldown frame rate to **NTSC**.
 - Loop Bandwidth – **Fast Lock**
6. Under Genlock Bus Timing, set all the timing controls (Line Offset, Coarse Offset (37ns), and Fine Offset) to 0 (zero).
7. Set the Drive Frame Reference Bus to **Auto**.
8. On the Genlock web page, verify that the header reports the Status as **Locked** and the Output Bus as **Ref 1**.

Configure Secondary Independent Reference (Slot 3)

3 8985FSP+GEN

[Status](#)

[I/O Config](#)

[Video Input](#)

[System Config](#)

[Frame Sync](#)

[Color Correction](#)

[Video Proc](#)

[User Settings](#)

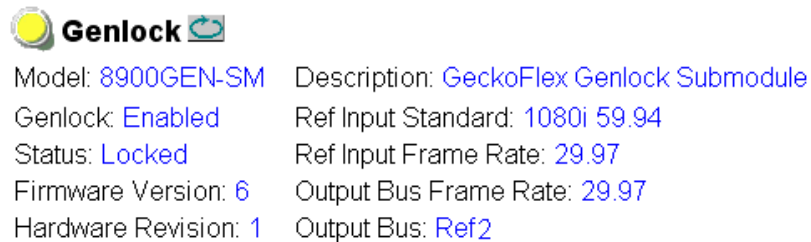
[Genlock](#)


[Video Out](#)

[Slot Config](#)

1. On the web page interface, locate the module in slot 3 and click on the link to that module. The 8985FSP + GEN links are shown at left.
2. Before beginning any type of configuration, select the link to the User Settings web page and select the **Set Factory Defaults** button to recall factory defaults to the host module and the 8900GEN-SM submodule.
3. Connect the reference signal intended to be used as the 1080i 59.94 Secondary Frame Bus 2 reference to one of the Genlock Loop BNCs (J1 or J3) on the host rear module in slot 3. Loop this signal to another location or terminate in 75 ohms.
4. Select the Genlock link on the left to bring up the Genlock web page for the module in slot 3 (Figure 17).

Figure 17. Secondary Genlock Web Page



Genlock 

Model: [8900GEN-SM](#) Description: [GeckoFlex Genlock Submodule](#)

Genlock: [Enabled](#) Ref Input Standard: [1080i 59.94](#)

Status: [Locked](#) Ref Input Frame Rate: [29.97](#)

Firmware Version: [6](#) Output Bus Frame Rate: [29.97](#)

Hardware Revision: [1](#) Output Bus: [Ref2](#)

Genlock Control

Genlock: <input checked="" type="radio"/> Enable <input type="radio"/> Freerun
Input Standard Selection: <input type="text" value="1080i 59.94"/>
Loop Bandwidth: <input type="radio"/> Low Jitter <input checked="" type="radio"/> Fast Lock

Genlock Bus Timing

<p>Line Offset</p> <p><< < 0 * > >></p> <p> < > </p>	<p>Coarse Offset (37ns)</p> <p><< < 0 * > >></p> <p> < > </p>
<p>Fine Offset (37ns/256)</p> <p><< < 0 * > >></p> <p> < > </p>	
<p>Drive Frame Reference Bus: <input type="text" value="Auto"/></p>	
<p><input type="button" value="Defaults"/></p>	

5. Set the following parameters under Genlock Control on the Genlock web page for slot 3:
 - Genlock – **Enabled**
 - Input Selection Standard – set the pulldown to **1080i 59.94**.
 - Loop Bandwidth – **Fast Lock**
6. Under Genlock Bus Timing, set all the timing controls (Line Offset, Coarse Offset (37ns), and Fine Offset) to 0 (zero).
7. Set the Drive Frame Reference Bus to **Auto**.
8. On the Genlock web page, verify that the header reports the Status as **Locked** and the Output Bus as **Ref 2**.

Configure GeckoFlex Module to Verify NTSC Ref Bus 1

1. Connect an SDI video signal with an NTSC frame rate such as 480i 59.94 to the video input (J10) of the corresponding rear module for the GeckoFlex module you are using to verify the NTSC reference.
2. Locate this module in the frame using your web browser and click on the System Config web page link.
3. On the System Config web page ([Figure 18 on page 43](#)), set the Input type to SD 480i.
4. Set Ref Bus 1 to be both the Primary and Secondary Output Timing sources.
5. Verify that Ref Bus 1 reports **Present** and **Locked** in the Status and Genlock column.
6. Verify that the Input Video reports **Present**.
7. Verify that the Output Timing Source reported in the System Config web page header reports **Ref Bus 1**.

Figure 18. System Config Web Page

System Config

Model: 8985FS Description: HD/SD Frame Sync
 Frame Location: QA Bay 2- test , Slot: 10
 Input Video Standard: 480i/59.94 Input Video: Coax Input : Present
 Output Timing Source: Ref Bus 1 Split Screen: Disabled Set Primary and Secondary to Ref Bus 1

Input Video		Output Timing				
Input Type	Input Rate	Source Selection	Primary	Secondary	Status	GenLock
<input type="radio"/> HD 59.94 <input checked="" type="radio"/> SD <input type="radio"/> HD 50 <input type="radio"/> HD 24	480i	Local	<input type="radio"/>	<input type="radio"/>	Not Present	-
		Ref Bus 1	<input checked="" type="radio"/>	<input checked="" type="radio"/>	Present	Locked
		Ref Bus 2	<input type="radio"/>	<input type="radio"/>	Present	Locked
		Input Video	<input type="radio"/>	<input type="radio"/>	Present	NA

Test Output
 Colorbars Enabled

Reference Restore
 Switch to Primary Auto
 Reference Switchback Delay (Seconds)
 << < 30.00 * > >>
 |< >|

Primary - Secondary Phase Difference

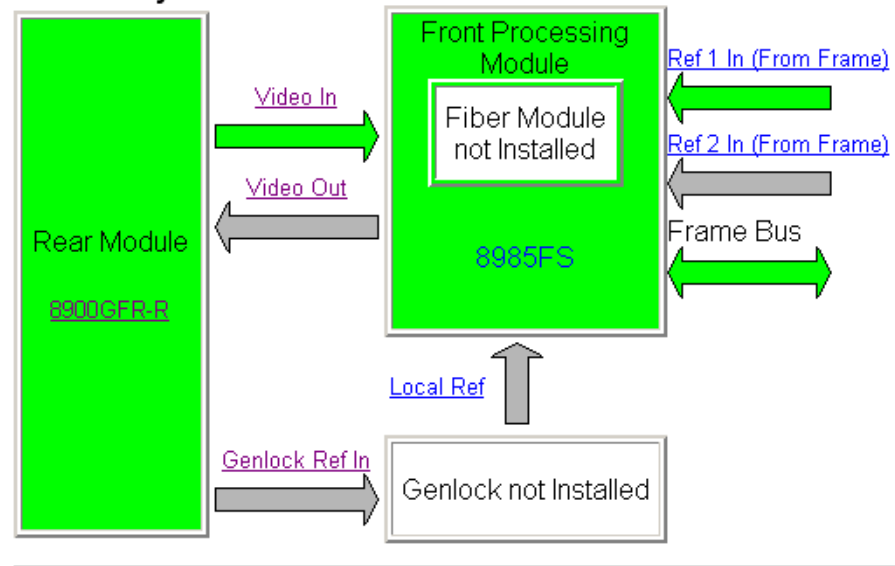
- Now select the link to the Status web page for the module in slot 10 and verify there are no warnings about the input video matching the selected input type or that the input video does not match the frame rate of the selected genlock reference. The Status page should look similar to the one in [Figure 13 on page 34](#). The Ref 1 arrow should be green and the Front Processing Module should also be green. The Ref 2 arrow should be grayed out.

Figure 19. NTSC Test Module Status Web Page

Status

Model: [8985FS](#) Description: [HD/SD Frame Sync](#)
 Frame Location: [QA Bay 2- test](#) , Slot: [10](#)
 Input Video Standard: [480i/59.94](#) Input Video: : [Present](#)
 Output Timing Source: [Ref Bus 1](#) Split Screen: [Disabled](#)

Module Physical Structure



Genlock Module is not installed

Status:
 Front Module: [PASS](#)
 Rear Module: [PASS](#)
 Genlock Module: [EMPTY](#)
 Fiber Module: [EMPTY](#)

Front Module:
 Part Number: [671-6724----](#)
 Serial Number: [-----](#)
 Hardware Revision: [---](#)
 Firmware Image 1 Version: [1.1.12](#)
 Firmware Image 2 Version: [inactive](#)
 Firmware Image 3 Version: [inactive](#)
 Firmware Image 4 Version: [inactive](#)
 Software Version: [1.2.0](#)
 Boot Version: [1.0.3](#)
 Asset Tag:

Configure GeckoFlex Module to Verify 1080i Ref Bus 2

1. Connect an SDI video signal with an HD frame rate of 1080i 59.94 to the video input (J10) of the corresponding rear module for the GeckoFlex module you are using to verify the 1080i reference. This example uses an 8985FS module in slot 8.
2. Locate this module in the frame using your web browser and click on the System Config web page link.
3. On the System Config web page ([Figure 20 on page 46](#)), set the Input type to **HD 59.94** and the Input Rate to **1080i/59.94**.
4. Set Ref Bus 2 to be both the Primary and Secondary Output Timing sources.
5. Verify that Ref Bus 2 reports **Present** and **Locked** in the Status and Genlock column.
6. Verify that the Input Video reports **Present**.
7. Verify that the Output Timing Source reported in the System Config web page header reports **Ref Bus 2**.

Figure 20. 1080i System Config Web Page

System Config

Model: 8985FS Description: HD/SD Frame Sync
 Frame Location: QA Bay 2- test , Slot: 8
 Input Video Standard: 1080i/59.94 Input Video: Present
 Output Timing Source: Ref Bus 2 Split Screen: Disabled Set Primary and Secondary to Ref Bus 2

Input Video		Output Timing				
Input Type	Input Rate	Source Selection	Primary	Secondary	Status	GenLock
<input checked="" type="radio"/> HD 59.94	1080i/59.94	Local	<input type="radio"/>	<input type="radio"/>	Not Present	-
<input type="radio"/> SD		Ref Bus 1	<input type="radio"/>	<input type="radio"/>	Present	Locked
<input type="radio"/> HD 50		Ref Bus 2	<input checked="" type="radio"/>	<input checked="" type="radio"/>	Present	Locked
<input type="radio"/> HD 24		Input Video	<input type="radio"/>	<input type="radio"/>	Present	NA

Test Output
 Colorbars Enabled

Reference Restore
 Switch to Primary

Reference Switchback Delay (Seconds)
 << < 30.00 * > >>
 |< >|

Primary - Secondary Phase Difference

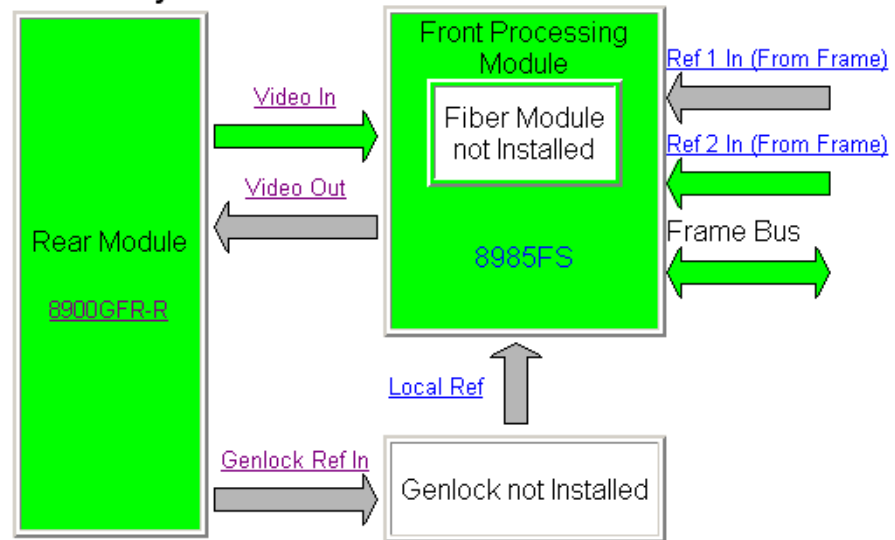
- Now select the link to the Status web page for the module in slot 8 and verify there are no warnings about the input video matching the selected input type or that the input video does not match the frame rate of the selected genlock reference. The Status page should look similar to the one in Figure 21 on page 47. The Ref 2 arrow should be green and the Front Processing Module should also be green. The Ref 1 arrow should be grayed out.

Figure 21. 1080i Test Module Status Web Page

Status

Model: 8985FS Description: HD/SD Frame Sync
 Frame Location: QA Bay 2- test , Slot: 8
 Input Video Standard: 1080i/59.94 Input Video: : Present
 Output Timing Source: Ref Bus 2 Split Screen: Disabled

Module Physical Structure



Genlock Module is not installed

Status:

Front Module: **PASS**
 Rear Module: **PASS**
 Genlock Module: **EMPTY**
 Fiber Module: **EMPTY**

Front Module:

Part Number: 671-6724----
 Serial Number: -----
 Hardware Revision: ---
 Firmware Image 1 Version: 1.1.13
 Firmware Image 2 Version: inactive
 Firmware Image 3 Version: inactive
 Firmware Image 4 Version: inactive
 Software Version: 1.2.0
 Boot Version: 1.0.3
 Asset Tag:

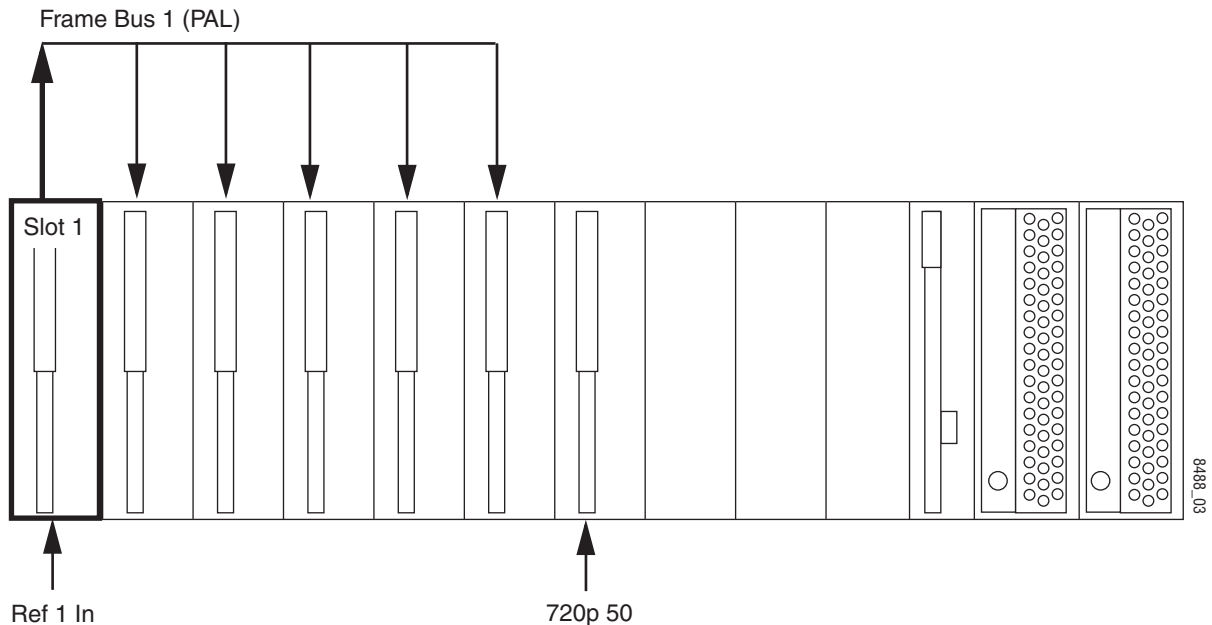
Using Local and Frame Bus References

In addition to the reference redundancy and independent frame bus capability, any GeckoFlex module that can host an 8900GEN-SM can be used to input a reference to the host module. When frame buses are required, the modules in slot 1 and slot 3 must always act as the host for driving Frame Bus 1 and Frame Bus 2.

In the example in [Figure 22](#), slot 1 is configured to output Frame Bus 1.

Any module with Genlock capability and a Genlock submodule installed can have an independent Local external reference (as shown in the example for the HD module). This is done by connecting an independent reference to the corresponding Genlock Loop input and setting the Output Timing to **Local** on the specific module's System Config web page.

Figure 22. Using Frame Bus and Local Output Timing



Set up Frame Bus 1 as detailed in [Configure Primary Independent Reference \(Slot 1\)](#) on page 39.

For a module requiring a different 720p reference as shown in the example, an 8900GEN-SM submodule can be installed on this host module. Connect a 720p reference to the corresponding rear module Genlock Loop and terminate the unused input with 75 ohms.

Set up the reference input on the host module Genlock web page as needed then set the host module System Config web page to use the Local reference.

Index

Numerics

8900GEN-SM submodule
 applications [21](#)
 overview [7](#)

A

applications
 independent frame buses [37](#)
 Local reference [48](#)
 overview [8](#)
 Primary and Secondary Redundancy [21](#)

C

configuration
 independent frame buses [38](#)
 Local reference [48](#)
 Primary and Secondary Redundancy [23](#)
 Primary reference [24](#)
 Secondary reference [28](#)

D

documentation online [4](#)

F

FAQ database [4](#)
frame rate compatibility
 warning message [25](#)
frequently asked questions [4](#)

G

Genlock controls [14](#)
Genlock timing [15](#)
Genlock web page [14](#)
Grass Valley web site [4](#)

I

Independent frame buses
 configuration [38](#)
 module placement [37](#)
input video rate
 remote control [17](#)
input video type
 remote control [17](#)

L

Local reference [48](#)

O

online documentation [4](#)
output timing source
 selecting [17](#)

P

Primary and Secondary Redundancy
 configuration [23](#)
 module placement [21](#)
 overview [8](#)
Primary-Secondary Phase Difference graphic [20](#)

R

Reference Restore controls [20](#)

S

software download from web [4](#)
status indicators [13](#)
Status web page [11](#)
System Config web page [17](#)

W

Warning messages

Index

input video does not match reference [35](#)
reference input does not match frame refernce
[25](#)
web site documentation [4](#)
web site FAQ database [4](#)
web site Grass Valley [4](#)
web site software download [4](#)