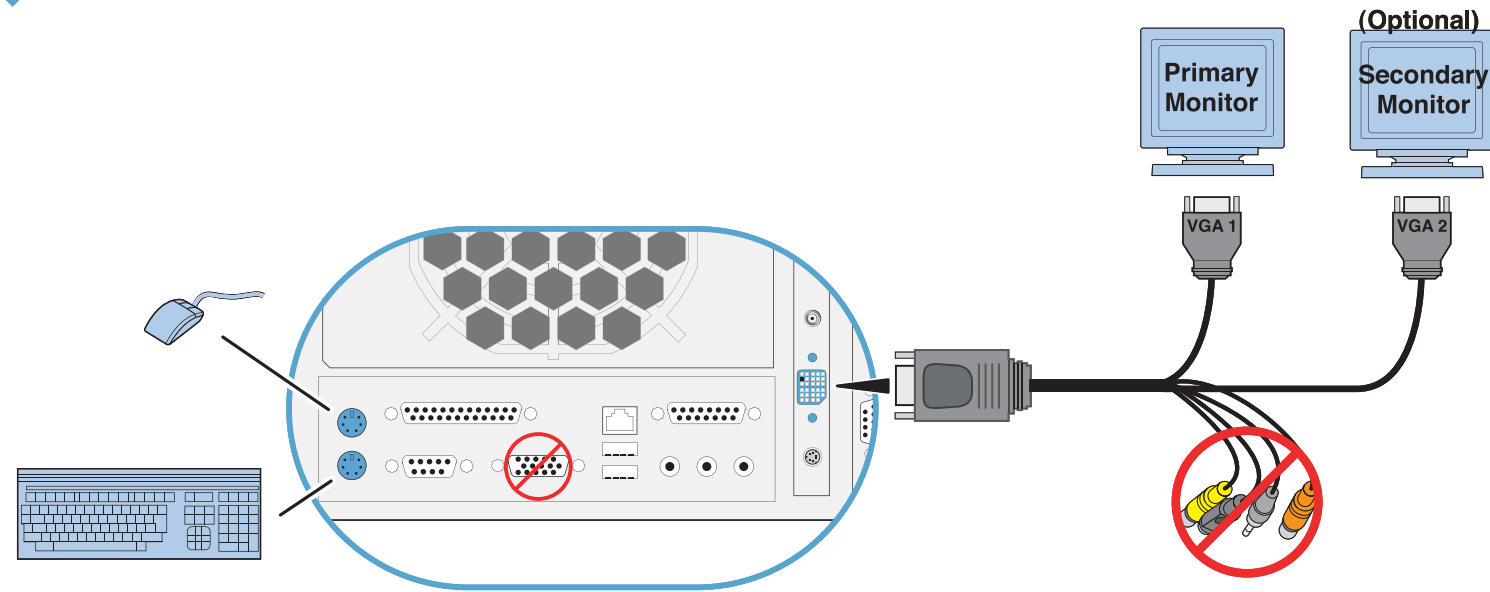
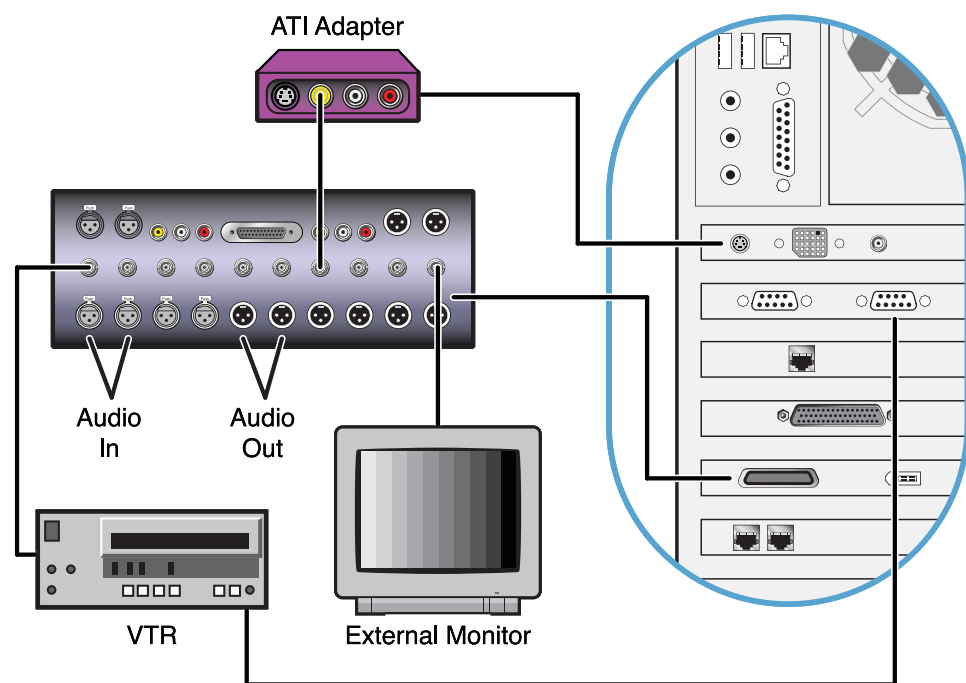


NewsroomSuite Quick Start Guide

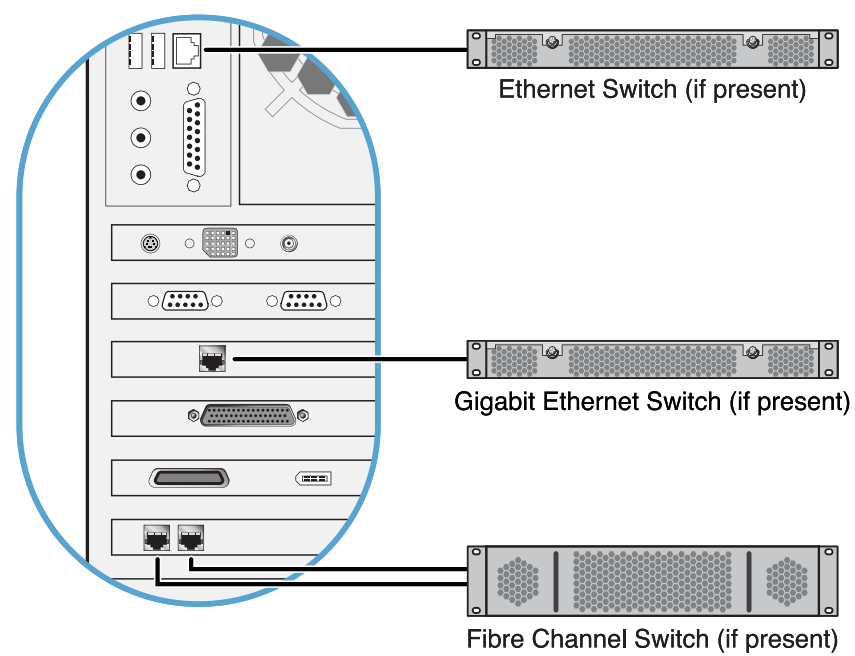
1 Connect the keyboard, mouse, and monitor



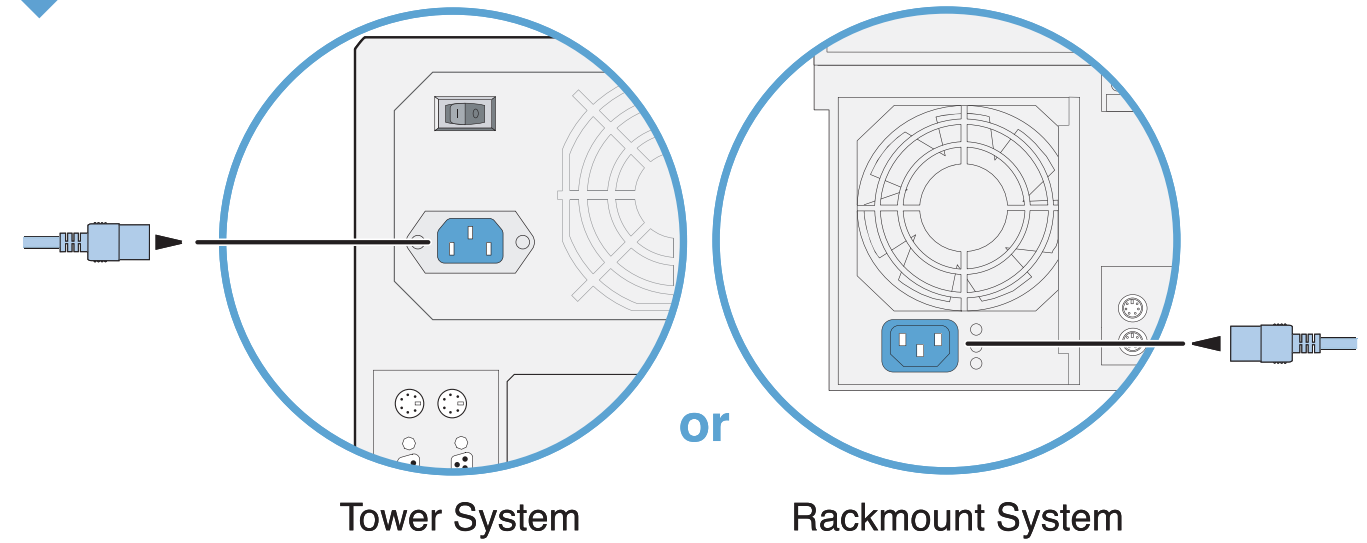
2 Connect audio and video cables



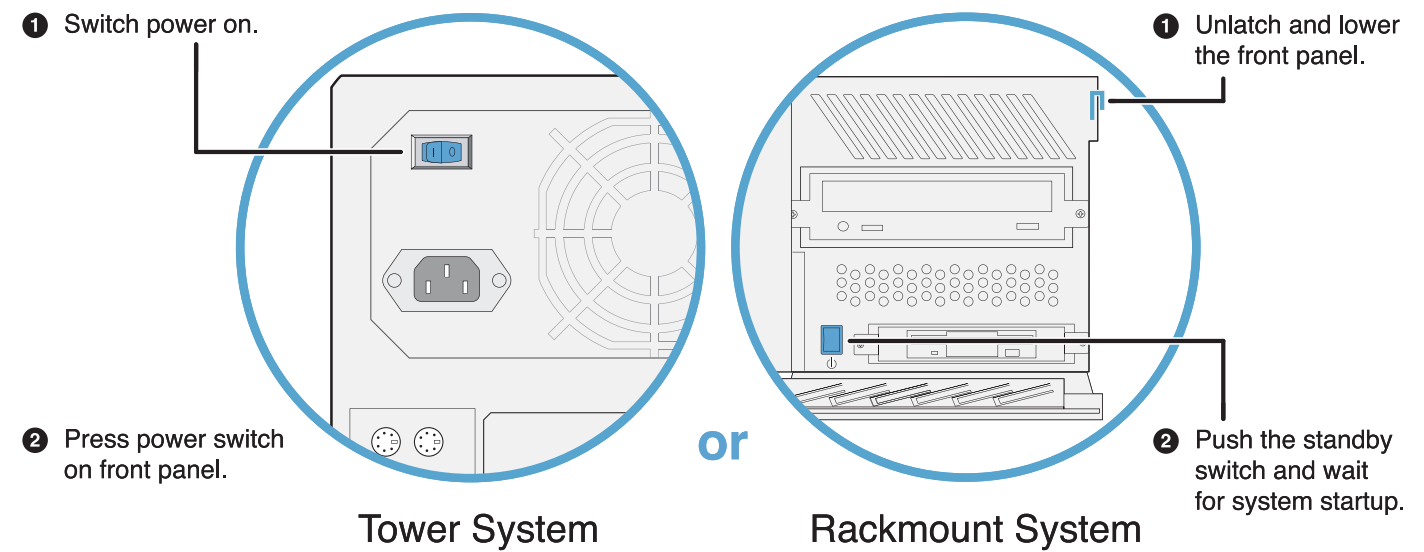
3 Connect network cables



4 Connect power cable



5 Switch power on



6 Establish Network Connectivity

- Open C:\WINNT\System32\Drivers\etc\hosts in a text editor.
- For each NewsroomSuite computer and Profile server on your network, add a line as follows:

Type the IP address, press TAB, and then type the hostname followed by the suffix _XXX from the table below (e.g., NewsEdit1_FC0) to specify the network type.

Suffix	Network Type
FC0	Fibre Channel
HE0	Gigabit Ethernet
LE0	Ethernet

```
# Copyright (c) 1993-1999 Microsoft Corp.
# This is a sample HOSTS file used by Microsoft TCP/IP for Windows.
# This file contains the mappings of IP addresses to host names. Each
# entry should be kept on an individual line. The IP address should
# be placed in the first column followed by the corresponding host name.
# The IP address and the host name should be separated by at least one
# space.
# Additionally, comments (such as these) may be inserted on individual
# lines or following the machine name denoted by a '#' symbol.
# For example:
#      102.54.94.97      rhino.acme.com      # source server
#      38.25.63.10     x.acme.com        # client host

150.234.187.36 vman2_man_broker_fc0
10.16.56.179   gv004739_fc0
150.234.187.21 pvs10000_fc0
150.234.187.22 vman2_pvs1000_fc0
150.234.187.23 vman2_pvs1000_fc0
150.234.187.31 vman_demo1_fc0
150.234.187.32 DEMONNEWSEDIT2_fc0
150.234.187.33 vman_demo3_fc0
150.234.187.34 vman_demo4_fc0
150.234.187.35 gv005906_fc0
150.234.187.36 vman2_gv011265_fc0
150.234.187.37 vman_prog_fc0
150.234.187.38 vman2_demo5
150.234.187.42 vman2_xre1650_fc0
150.234.187.43 vman_ne6_fc0
150.234.187.34 vman2_demo4_fc0
150.234.187.110 pdr200_2_fc0
10.16.56.174   nbc11ent
```

- Save the file and close the text editor.
- Open a COMMAND window and PING each address to verify connectivity.
- Copy the hosts file to each NewsroomSuite computer on your network.

