

DVI-Ramp² DVI-Ramp² DSK User's Manual

M807-9900-202

26 Jul 2007



**Miranda
Technologies Inc.**

3499 Douglas-B.-Floreni
St-Laurent, Québec, Canada H4S 1Y6

Tel. 514-333-1772
Fax. 514-333-9828
www.miranda.com

© 2007 Miranda Technologies Inc.

Safety Compliance Information

Safety Compliance

This equipment complies with:

- CSA C22.2 No. 60950-1-03 / Safety of Information Technology Equipment, Including Electrical Business Equipment.
- UL 60950-1 (1st Edition) / Safety of Information Technology Equipment, Including Electrical Business Equipment.
- IEC 60950-1 (1st Edition) / Safety of Information Technology Equipment, Including Electrical Business Equipment.

CAUTION

These servicing instructions are for use by qualified service personnel only. To reduce the risk of electric shock, do not perform any servicing other than that contained in the operating instructions unless you are qualified to do so. Refer all servicing to qualified service personnel. Servicing should be done in a static-free environment.

Electromagnetic Compatibility

- This equipment has been tested for verification of compliance with FCC Part 15, Subpart B, class A requirements for Digital Devices.
- This equipment complies with the requirements of:
EN 55022 Class A, Electromagnetic Emissions,
EN 61000-3-2 & -3-3, Disturbance in Supply Systems
EN 61000-4-2, -3, -4, -5, -6, -8 & -11 Electromagnetic Immunity

CONTACT MIRANDA

For technical assistance, please contact the Miranda Technical support centre nearest you:

Americas

Telephone:

+1-800-224-7882

e-mail:

techsupp@miranda.com

Asia

Telephone:

+81-3-5730-2987

e-mail:

asiatech@miranda.com

Europe, Middle East,

Africa, UK

Telephone:

+44 (0) 1491 820222

e-mail:

eurotech@miranda.com

France (only)

Telephone:

+33 (0) 1 55 86 87 88

e-mail:

euroetech@miranda.com

Visit our web site at www.miranda.com

MIRANDA TECHNOLOGIES INC. ("MIRANDA")

SOFTWARE LICENSE AGREEMENT

NOTICE TO USER: PLEASE READ THIS CONTRACT CAREFULLY. BY USING ALL OR ANY PORTION OF THE SOFTWARE, YOU ACCEPT ALL THE TERMS AND CONDITIONS OF THIS AGREEMENT. YOU AGREE THAT THIS AGREEMENT IS ENFORCEABLE LIKE ANY WRITTEN NEGOTIATED AGREEMENT SIGNED BY YOU. THIS AGREEMENT IS ENFORCEABLE AGAINST YOU AND ANY LEGAL ENTITY THAT OBTAINED THE SOFTWARE AND ON WHOSE BEHALF IT IS USED (COLLECTIVELY HEREAFTER THE "USER"). IF YOU DO NOT AGREE, DO NOT USE THIS SOFTWARE. IF YOU ACQUIRED THE SOFTWARE ON TANGIBLE MEDIA (e.g., CD) WITHOUT AN OPPORTUNITY TO REVIEW THIS LICENSE AND YOU DO NOT ACCEPT THIS AGREEMENT, YOU MAY OBTAIN A REFUND OF ANY AMOUNT YOU ORIGINALLY PAID IF YOU: (A) DO NOT USE THE SOFTWARE AND (B) RETURN IT, WITH PROOF OF PAYMENT, TO THE LOCATION FROM WHICH IT WAS OBTAINED WITHIN TEN (10) DAYS OF THE PURCHASE DATE.

1. Software: The licensed Software ("Software") includes the object code version of the enclosed software and the accompanying documentation (if any).

2. Grant of License: MIRANDA grants to User the nontransferable, nonexclusive license to use one (1) copy of the Software (the "Purpose"). Title to the Software shall remain with MIRANDA at all times.

3. Exclusions: User shall not:

- a. copy any part of the Software, except one copy made for backup purposes;
- b. translate, reverse engineer, decompile, or disassemble any portion of the Software;
- c. distribute, disclose, market, rent, lease, or transfer the Software;
- d. export the Software;
- e. disclose benchmarks or other comparisons of the Software without MIRANDA's prior written consent;
- f. modify the Software, merge the Software as part of any other product or collection of products, or create derivative works derived from the Software;
- g. allow others to make or obtain copies of the Software;
- h. use the Software for any purpose other than the Purpose.

4. Upgrades: MIRANDA may from time to time make available updates, enhancements, and/or modifications to the Software and may provide such updates to User, but is under no obligation to do so. The provision by MIRANDA to User of such updates, enhancements, and/or modifications to the Software shall be subject to all terms and conditions of this Agreement and shall expire upon termination of this Agreement.

5. Specific Disclaimer of Warranty and Limitation of Liability: ALL MATERIALS PROVIDED BY MIRANDA, INCLUDING BUT NOT LIMITED TO THE SOFTWARE, ARE PROVIDED TO THE USER "AS IS" WITHOUT WARRANTY OF ANY KIND. FURTHER, MIRANDA DOES NOT WARRANT THAT ANY SUCH MATERIALS WILL MEET USER'S REQUIREMENTS, OR THAT THE OPERATION OF SUCH MATERIALS WILL BE UNINTERRUPTED OR ERROR FREE. THE ENTIRE RISK AS TO THE RESULTS AND PERFORMANCE OF SUCH MATERIALS IS ASSUMED BY THE USER. IF ANY SUCH MATERIALS ARE DEFECTIVE, THE USER, AND NOT MIRANDA OR ITS DEALERS, DISTRIBUTORS, AGENTS, OR EMPLOYEES, ASSUME THE ENTIRE RISK OF SUCH DEFECT(S), AND THE ENTIRE COST OF ALL NECESSARY SERVICING, REPAIR, OR CORRECTION.

WITHOUT LIMITING THE ABOVE, THERE IS NO WARRANTY OF ANY KIND, EITHER EXPRESS OR IMPLIED, INCLUDING BUT NOT LIMITED TO THE IMPLIED WARRANTIES OF NONINFRINGEMENT MERCHANTABILITY AND FITNESS FOR A PARTICULAR PURPOSE, MADE BY MIRANDA, ON ANY MATERIALS PROVIDED BY MIRANDA, INCLUDING BUT NOT LIMITED TO THE SOFTWARE. NO ORAL OR WRITTEN INFORMATION OR ADVICE GIVEN BY MIRANDA, ITS DEALERS, DISTRIBUTORS, AGENTS OR EMPLOYEES SHALL CREATE A WARRANTY OR IN ANY WAY INCREASE THE SCOPE OF THIS WARRANTY.

NEITHER MIRANDA, ITS PRINCIPALS, SHAREHOLDERS, OFFICERS, EMPLOYEES,

AFFILIATES, CONTRACTORS, SUBSIDIARIES, NOR ANYONE ELSE WHO HAS BEEN INVOLVED IN THE CREATION, PRODUCTION OR DELIVERY OF ANY MATERIALS PROVIDED BY MIRANDA, INCLUDING BUT NOT LIMITED TO THE SOFTWARE, SHALL BE LIABLE FOR ANY DIRECT, INDIRECT, CONSEQUENTIAL, INCIDENTAL OR PUNITIVE DAMAGES (INCLUDING DAMAGES FOR LOSS OF BUSINESS PROFITS, BUSINESS INTERRUPTION, LOSS OF BUSINESS INFORMATION, AND THE LIKE) ARISING OUT OF THE USE OR INABILITY TO USE SUCH MATERIALS, EVEN IF MIRANDA HAS BEEN ADVISED OF THE POSSIBILITY OF SUCH DAMAGES. THE LIMITATIONS SET FORTH ABOVE SHALL BE DEEMED TO APPLY TO THE MAXIMUM EXTENT PERMITTED BY APPLICABLE LAW AND NOTWITHSTANDING THE FAILURE OF THE ESSENTIAL PURPOSE OF ANY LIMITED REMEDIES. THE PARTIES ACKNOWLEDGE AND AGREE THAT THEY HAVE FULLY CONSIDERED THE FOREGOING ALLOCATION OF RISK AND FIND IT REASONABLE, AND THAT THE FOREGOING LIMITATIONS ARE AN ESSENTIAL BASIS OF THE BARGAIN BETWEEN THE PARTIES.

6. Ownership: All patents, copyrights, trademarks, trade secrets and other ownership rights in the Software are and shall remain in MIRANDA. The source code of the Software and all information regarding the design, structure or internal operation of the Software are valuable trade secrets of MIRANDA ("Confidential Information"), provided however, that "Confidential Information" shall not include information which otherwise would be Confidential Information to the extent that such information was publicly known prior to the time the User received it, or became known to the User from a third party which lawfully disclosed it to the User without any confidentiality obligation. To the extent, if any, to which User may learn any Confidential Information, User shall not sell, transfer, publish, disclose, display, or otherwise permit access, by any of its employees who does not have a need to know for the Purpose or by any third party, to the Confidential Information.

7. Support: No support or maintenance services are included in this License and MIRANDA is under no obligation to provide User with any technical support or assistance of any kind. In the event that User requests the support or assistance of MIRANDA and that MIRANDA accepts, at

its sole discretion, to perform support or assistance services, MIRANDA shall have no liability whatsoever to User in connection with the performance or non performance of such services.

8. Termination: User's license to use the Software shall terminate immediately upon breach by User of one of its obligations hereunder. Upon termination of the license, User shall promptly return the Software and delete the Software from any computer on which it has been installed. User shall also promptly return all materials provided by MIRANDA in connection with the Software.

9. Governing Law: This Agreement shall be governed by the laws of the Province of Québec, Canada. If either party employs attorneys to enforce any rights arising out of or relating to this Agreement, the prevailing party shall be entitled to recover reasonable attorney's fees. The parties consent to the exclusive jurisdiction of the courts of the judicial district of Montréal, Province of Québec, Canada.

10. Assignment: This Agreement is not assignable or transferable by User without the prior written consent of MIRANDA.

11. Entire Agreement: This Agreement constitutes the entire agreement between the parties concerning User's use of the Software. This Agreement supersedes any prior verbal understanding between the parties and any User purchase order or other ordering document, regardless of whether such document is received by MIRANDA before or after execution of this Agreement. This Agreement may be amended only in a writing signed by an authorized officer of each party.

12. Notices: All notices delivered in reference to this Agreement shall be in writing and in the English language and delivered by a communication means which allows the sender to obtain a proof of receipt. All notices shall be delivered to MIRANDA's headquarters to the attention of "Legal Services".

Table of Contents

1	DVI-Ramp² Graphic to HD/SD Video Interface	1
1.1	Introduction	1
1.2	Features	1
1.3	Functional Block Diagrams	2
1.4	Front and Rear Panel views	4
1.5	Typical Applications	5
2	Installation	8
2.1	Unpacking	8
2.2	Mechanical Installation	8
2.3	Connections	9
2.4	Control Interface	10
3	Operation	10
3.1	Powering Up	10
3.2	Front Panel Indicators and Controls	10
3.3	Synchronizing the DVI-Ramp ² and the graphics card	12
3.3.1	Frame sync (graphics card without reference)	12
3.3.2	Genlock (graphics card with reference)	13
3.4	DVI format considerations	13
4	Technical Specifications	14

1 DVI-Ramp² Graphic to HD/SD Video Interface

1.1 Introduction

Miranda's DVI-Ramp² performs live extraction of computer graphics to generate HD/SD video for post-production, broadcast and digital cinema. There are two models of the DVI-Ramp²:

- 1) Basic DVI-Ramp²
- 2) DVI-Ramp² DSK

The DSK model adds an SD/HD SDI input with a bypass relay to the basic model. This additional input serves the purpose of supplying a background channel for the built-in Keyer. Unless specified otherwise, the term DVI-Ramp² is used to describe both models.

This document is a very general description of the DVI-Ramp2.

- Please refer to www.miranda.com for updated information about new features that have been added to this product since the release of this document.

The unit features many synchronization modes, including frame sync, genlock, and free run. Configuration and control of the DVI-Ramp2 is via USB, RS-232 or Ethernet. Firmware upgrades are done through RS-232 or USB.

1.2 Features

- Graphic to HD/SD video interface with the following operating modes:
 1. Single Channel – Pixel-to-Pixel Extraction
 2. Single Channel – Scaling Mode (future)
 3. Dual Channel – Pixel-to-Pixel Extraction on each discrete channel
 4. Dual Channel – Fill & Key using external Keyer or internal Keyer (DSK only)
- 3 synchronization modes
 - Frame Synchronizer (graphics card without external reference)
 - Genlock (graphics card with external reference)
 - Free run
- Programmable color space conversion
- Platform/OS independent

1.3 Functional Block Diagrams

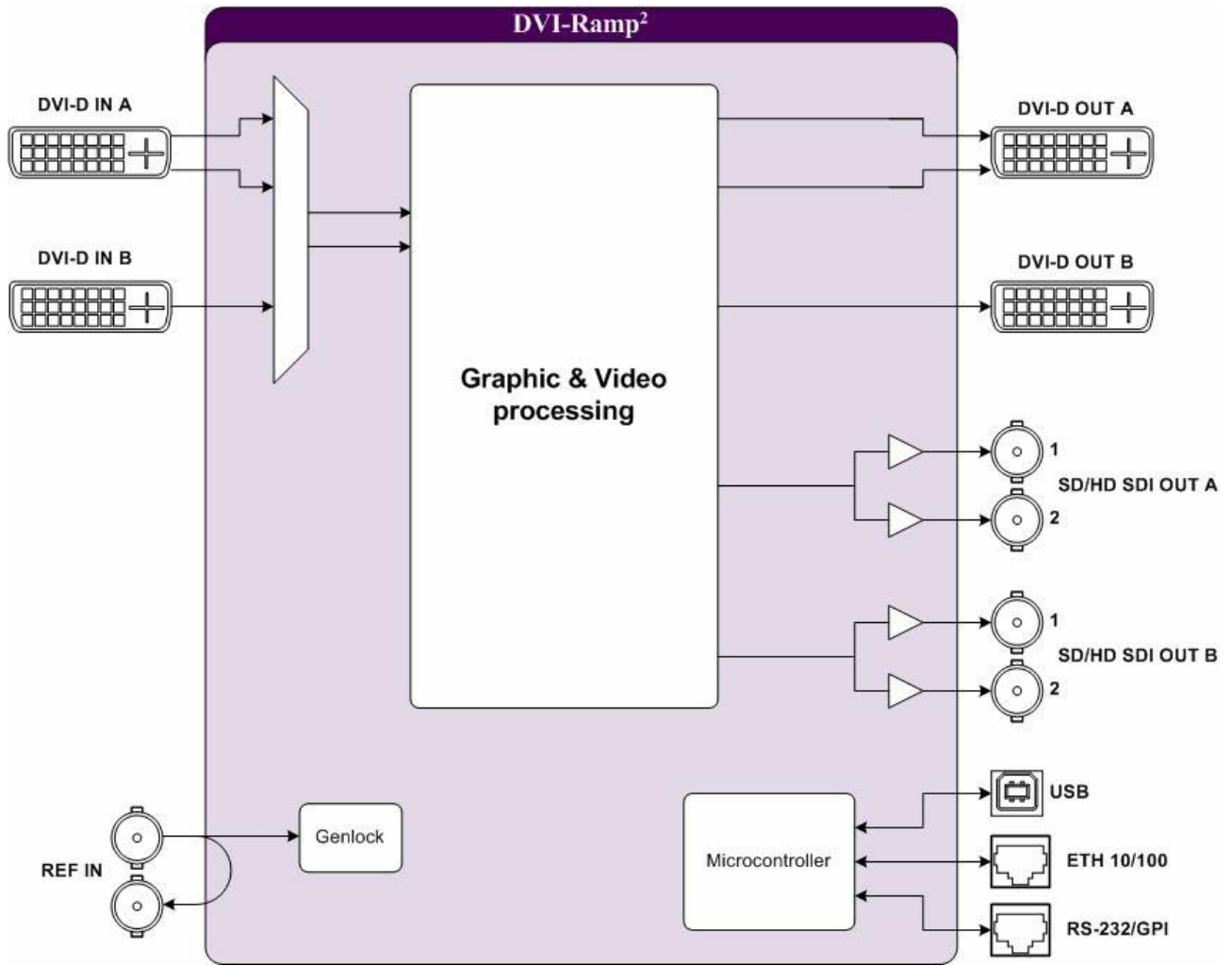


Figure 1.1a DVI-Ramp² Functional Block Diagram

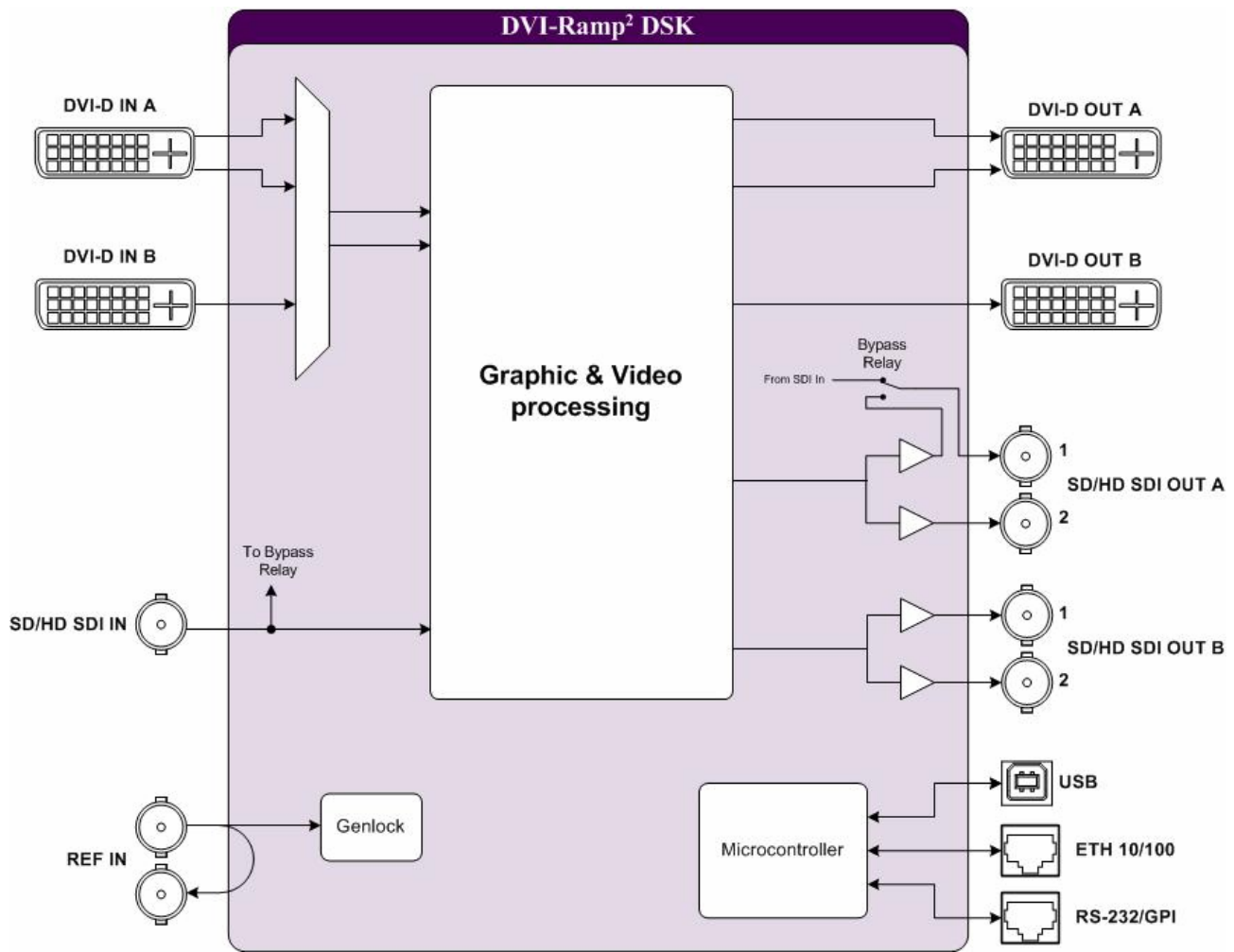


Figure 1.1b DVI-Ramp² DSK Functional Block Diagram

1.4 Front and Rear Panel views

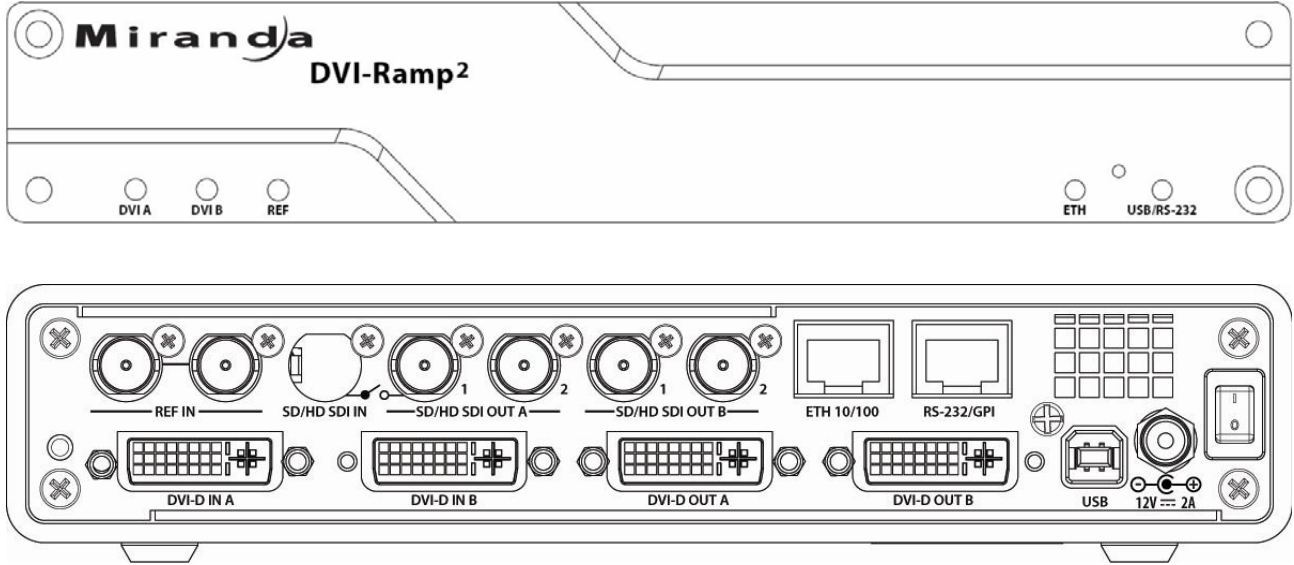


Figure 1-2a DVI-Ramp² Front and Rear panels

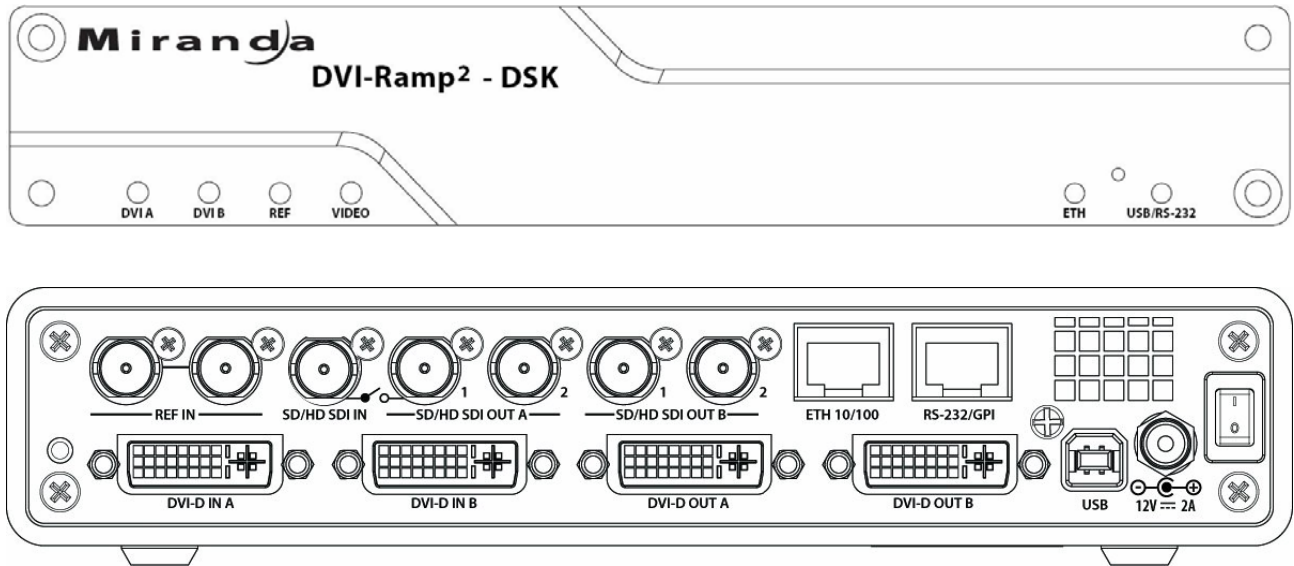
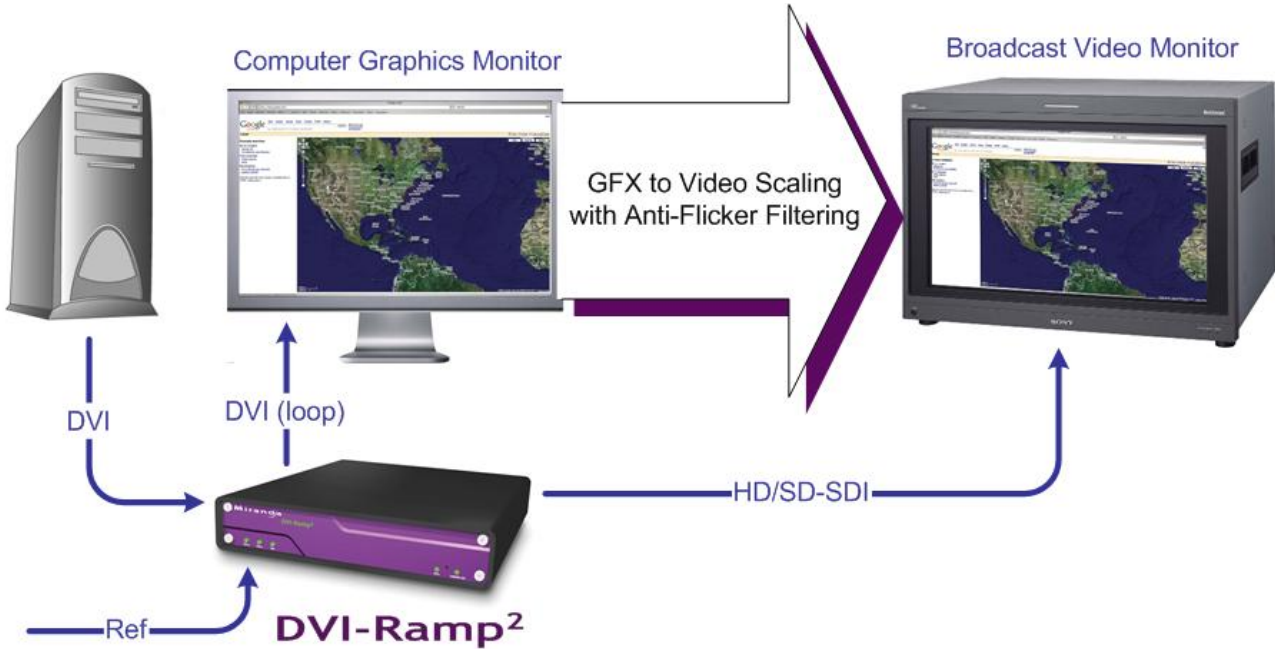


Figure 1-2b DVI-Ramp² DSK Front and Rear panels

1.5 Typical Applications



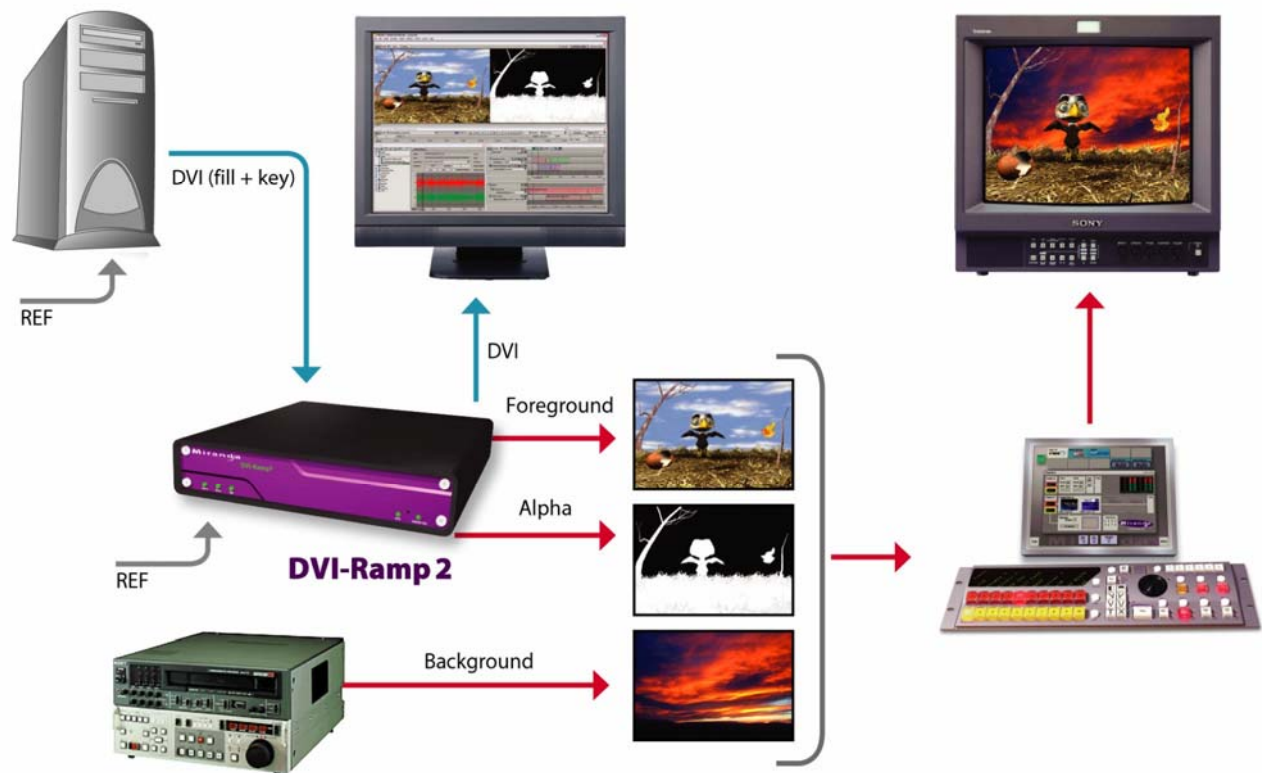
In this application, the DVI-Ramp² extracts a video window from the DVI input and converts it (pixel-to-pixel) to a video output. The highest quality is achieved by minimizing the processing done on the source images. The HD/SD-SDI output can include the entire graphic image or a window within the image so that unwanted graphic elements from the computer screen can be excluded.

For a clean presentation, the DVI-Ramp² and the computer's graphic card should be locked on the same reference signal to achieve the highest quality.

For this application, the DVI-Ramp² can be controlled by software available at www.miranda.com or by using third party software.

Broadcast keying of 3D animation using character generation and virtual set

DVI-Ramp 2 provides elegant interfacing for keying HD/SD 3D animations over a background using a mixer.

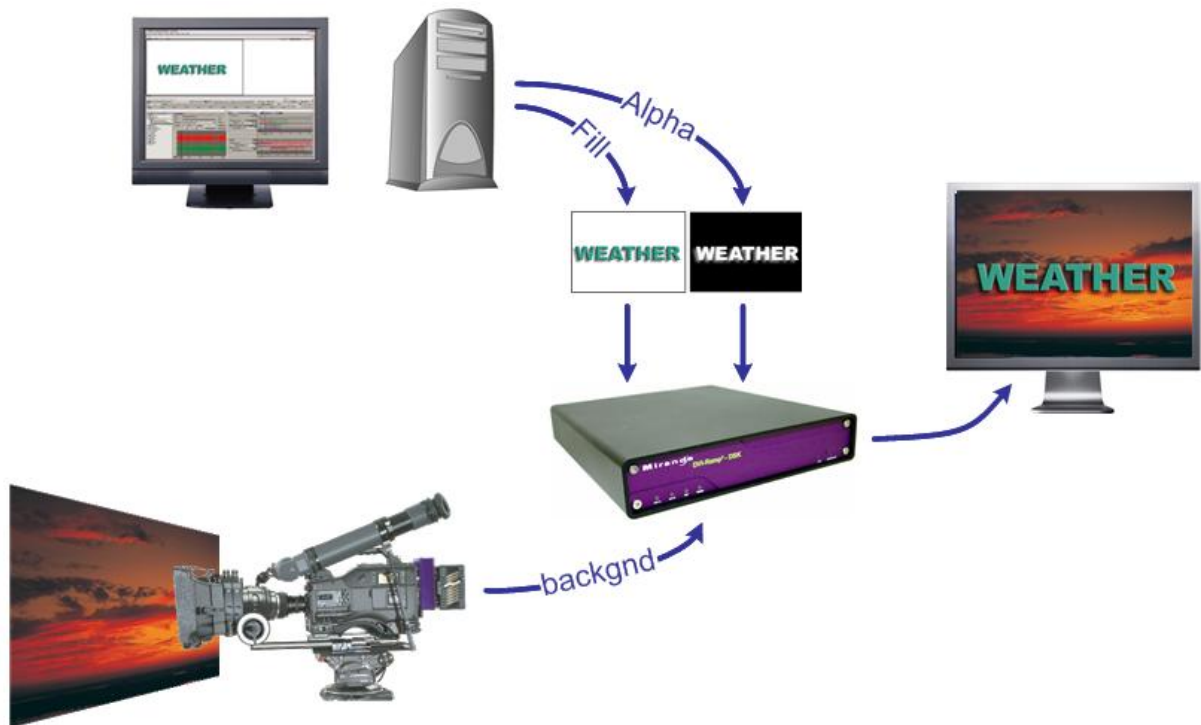


In this application, the DVI-Ramp² extracts two windows from the DVI source(s): a FILL window (window-A is the FILL while window-B is the KEY). The FILL window is converted to an SD/HD SDI "Foreground" output. The KEY window is converted to an SD/HD SDI "Alpha" output. These outputs with an appropriate background signal can be fed to a downstream keyer.

For a clean presentation, the DVI-Ramp² and the computer's graphic card should be locked on the same reference signal to achieve the highest quality.

For this application, the DVI-Ramp² can be controlled by software available at www.miranda.com or by using third party software.

Live application using internal keyer of DSK model (CG)



In this application, the DVI-Ramp² DSK extracts two windows from the DVI source(s) : a FILL window and a KEY window (window-A is the FILL while window-B is the KEY). The internal keyer of the device generates the video output by mixing the BACKGROUND (SD/HD SDI input) with the FILL image according to the KEY signal. When the KEY signal is black, the keyer outputs the BACKGROUND image. When the KEY signal is white, the keyer outputs the FILL image. With intermediate grey levels of the KEY signal, the keyer outputs a weighted sum of the FILL and BACKGROUND. Through software, the mixing polarity can be inverted (reverse interpretation of the black and white levels of the KEY signal).

In this application, the DVI-Ramp² DSK should be locked to the video input (BACKGROUND). For a clean presentation, the computer's graphics card should also be locked on the same reference as the video input.

For this application, the DVI-Ramp² DSK can be controlled by software available at www.miranda.com or by using third party software.

2 Installation

2.1 Unpacking

Make sure the following items have been shipped with your DVI-Ramp². If any of the following items are missing, contact your distributor or Miranda Technologies Inc.

- DVI-Ramp² unit
- AC power cord
- Power supply (AC to 12V DC converter)

2.2 Mechanical Installation

The DVI-Ramp² is packaged in a free-standing case with feet on the bottom, suitable for installation on a desk or tabletop.

The DVI-Ramp² is sized so that two DVI-Ramp² units can be installed side-by-side on a 1 RU tray for rack mounting.

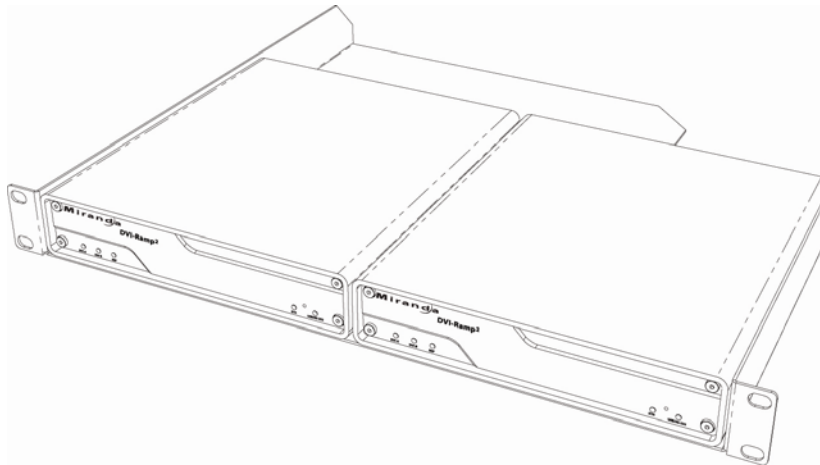


Figure 2.1 Installing two DVI-Ramp² units on a 1 RU tray (TRAY-120)

The rear panel of the DVI-Ramp² includes a threaded connection point for a mounting screw (left side of the rear panel – see figure 2.2) so that the device can be securely mounted on the tray. The Miranda [TRAY-120](#) is recommended, as it is configured to hold the DVI-Ramp² case and incorporates a hole for the mounting screw.

2.3 Connections

All inputs and outputs are located on the rear panel of the DVI-Ramp². Signals and connector types are listed below. The rear panel labels indicate the appropriate connection point for each signal.

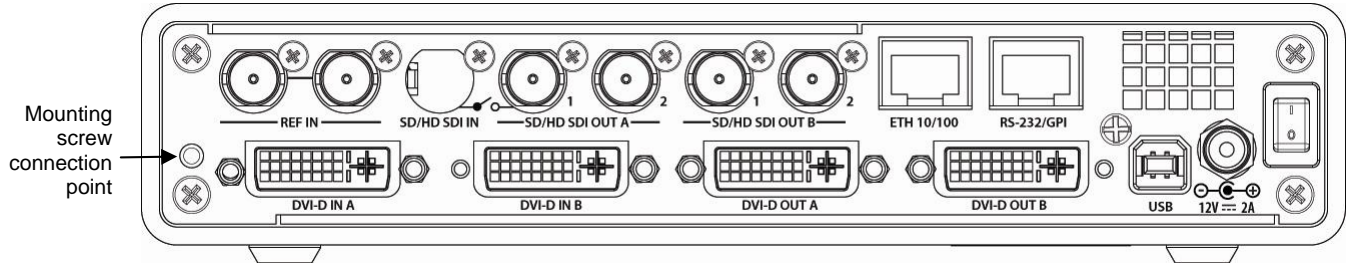


Figure 2.2a Rear panel and connectors of DVI-Ramp²

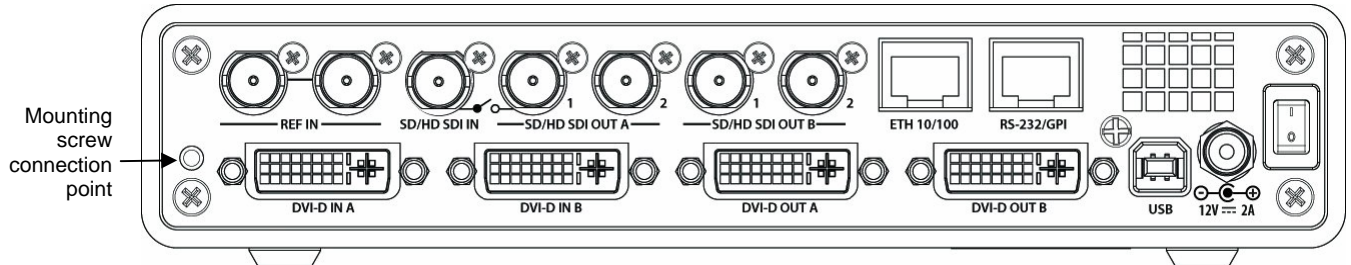


Figure 2.2b Rear panel and connectors of DVI-Ramp² DSK

Signal connections:

2 DVI inputs (DVI-D IN A and DVI-D IN B)	(DVI connectors)
1 HD/SD reference input and passive loop-through	(BNC connectors)
2 DVI outputs (DVI-D OUT A and DVI-D OUT B)	(DVI connectors)
4 HD/SD SDI outputs	(BNC connectors)
1 HD/SD SDI input	(BNC connector for DSK model ONLY)

For optimum performance, high-quality DVI cables should be used. One recommended cable model is D-766 from Cable4PC (www.cable4pc.com)

Communication connections:

External control (10/100 Ethernet)	(RJ-45 connector, implemented in future release)
External control (RS232/GPI)	(RJ-45 connector)
External control (USB)	(USB connector)

See section 1.5 for an example of how these inputs and outputs are connected in a basic operating setup.

2.4 Control Interface

The DVI-Ramp² has no local controls beyond the power switch and the Reset pushbutton. All adjustment is done using a software interface running on a computer connected to one of the three control ports.

Miranda has developed software for this purpose. The software and documentation can be downloaded from Miranda's website at www.miranda.com. The software includes Context-Sensitive Help.

Alternatively, users may create their own software. Programming documentation is available on demand.

Note: Connecting to an RS-232 device or network

The "RS-232/GPI" RJ45 connector is used to preserve space on a busy panel while accommodating RS-232 and GPI interfaces. The RS-232 interface specifies a DE-9S connector, so if you are using this interface you may require a DE-9S-to-RJ45 adapter cable. The pin-out of the "RS-232/GPI" connector is shown below:

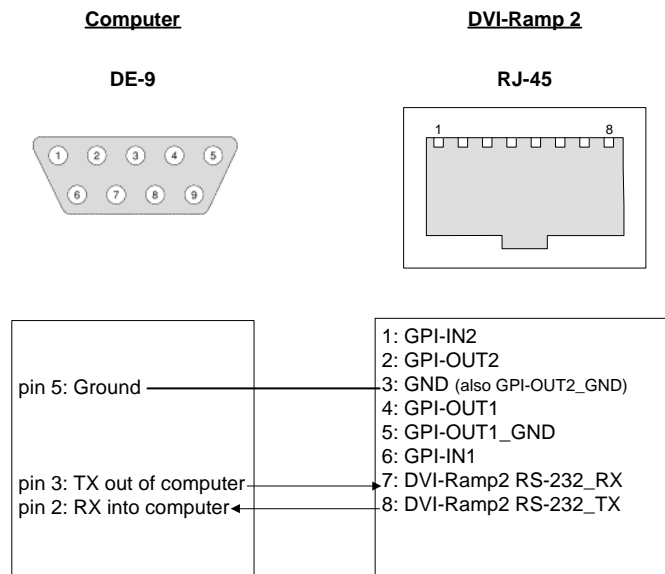


Figure 2.3 RS-232 / GPI RJ45 connector pin-out

3 Operation

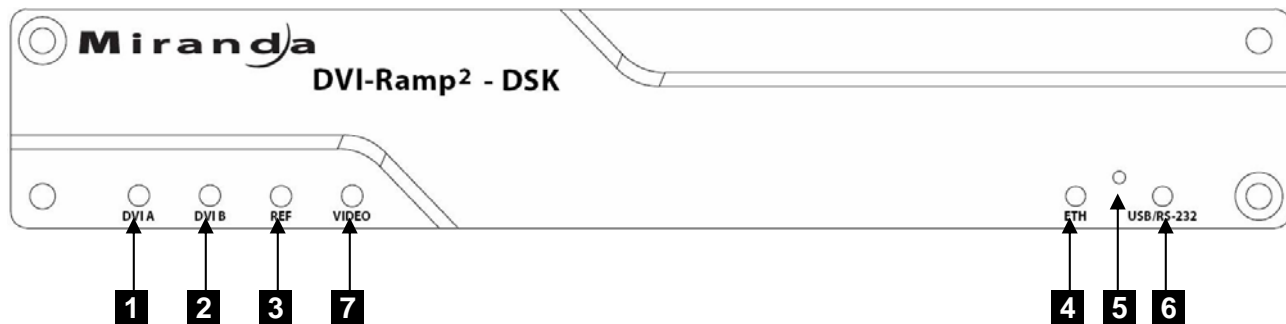
The DVI-Ramp² has no local controls beyond the power switch and the reset pushbutton. Operational concerns are outlined here, but for detailed operating instructions, see the documentation at www.miranda.com.

3.1 Powering Up

The power switch is located on the rear panel of the DVI-Ramp², just above the power connector. Connect the provided power supply to the power connector and set the switch to ON (I).

3.2 Front Panel Indicators and Controls

There are five Input Status LEDs which are mounted on the front edge of the DVI-Ramp²'s circuit board, and which can be seen through holes in the front panel of the case. The DVI-Ramp² DSK model has an extra LED for the video input status.



Status LEDs

- 1** DVI A GREEN when a valid input is detected on DVI-D IN A
RED when no valid input is detected on DVI-D IN A
- 2** DVI B When the DVI input mode is DUAL-HEAD mode (software configuration):
GREEN when a valid input is detected on DVI-D IN B
RED when no valid input is detected on DVI-D IN B
When the DVI input mode is DUAL-LINK or SINGLE-LINK (default):
OFF
- 3** REF GREEN when unit is genlocked on reference input
RED when unit is programmed to genlock on reference input but none is present. Unit is then free-running
ORANGE – FLASHING when unit is programmed to genlock on reference input but wrong format is detected. Unit is free-running.
GREEN-FLASHING when unit is programmed to be free-running but a valid reference signal is present
ORANGE unit is programmed to be free-running and an unknown reference signal is present
OFF when unit is programmed to be free-running and no reference signal is present
- 4** ETH OFF – no link
GREEN – link available (from PHY)
ORANGE FLASHING – transmitting (from PHY)
At power-up, this LED will be GREEN or OFF depending on whether a network is connected.
- 6** USB/RS-232 OFF – No USB or RS-232
GREEN when USB is recognized by the PC or valid RS-232 is detected
ORANGE FLASHING when transmitting packets
ORANGE QUICK FLASH – heart-beat with USB or RS-232 connection available. This indicates that firmware is in working order
RED QUICK FLASH – heart-beat with no USB or RS-232 connection available. This indicates that firmware is in working order
At power-up, this LED is OFF

7 VIDEO

This LED is only found on the DSK model.

GREEN when unit is genlocked on SD/HD SDI input

RED when unit is programmed to genlock on SD/HD SDI input but none is present. Unit is then free-running

ORANGE – FLASHING when unit is programmed to genlock on SD/HD SDI input but wrong format is detected. Unit is free-running.

GREEN-FLASHING when unit is programmed to be free-running but a valid SD/HD SDI signal is detected

ORANGE unit is programmed to be free-running and an unknown SD/HD SDI signal is present

OFF when unit is programmed to be free-running and no SD/HD SDI signal is detected

Controls

Only one control is provided at the front panel:

5 RESET button

The RESET button is a dual-function control, and operates as follows:

- Quick push and release – resets the USB communication port.
- Push and hold for 5 seconds before releasing – copy the display settings to the DVI-Ramp² input. This ensures that the input of the DVI-Ramp² will mimic the display that is connected to its DVI output.
 - Settings on "DVI-D OUT A" are copied to "DVI-D IN A"
 - Settings on "DVI-D OUT B" are copied to "DVI-D IN B"

Use a bent paper clip or equivalent thin wire to activate the RESET button through the hole in the front panel.

3.3 Synchronizing the DVI-Ramp² and the graphics card

The DVI-Ramp² processes the output of the computer graphics card and outputs a video signal. The timing relationship between the graphics card output and the video system is important in determining the success of the transfer.

The DVI Ramp² supports 2 different approaches to this situation:

3.3.1 Frame sync (graphics card without reference)

The graphics card is not synchronized with the video system. The DVI-Ramp² operates as a frame synchronizer, meaning that its input from the graphics card is buffered, and frames are repeated or dropped if the buffer underflows or overflows.

The frame-sync will drop frames when the DVI rate is larger than the SDI rate. Conversely, it will repeat frames when the DVI rate is smaller than the SDI rate.

3.3.2 Genlock (graphics card with reference)

Both the graphics card and the DVI-Ramp² are locked to the video system timing reference. The buffer in the DVI-Ramp² is replenished at the same rate as it is emptied, so there is never an underflow or overflow that would trigger a discontinuity in the image content.

3.4 DVI format considerations

The format of the SDI output generated by the DVI-Ramp² depends on the refresh rate of its DVI input and on the use of the internal frame-sync function. Use the table below to select the appropriate DVI refresh rate to achieve the desired output.

When the frame-sync function is OFF (Note 1), the following table of refresh rate compatibilities applies:

Desired SDI output format	Recommended DVI frame rate (Hz)
SD-525	59.94 ³
SD-625	50 ³
1280x720@50p	50
1280x720@59.94p	59.94
1280x720@60p	60
1920x1080@23.98p	23.98
1920x1080@23.98PsF	47.95 ³
1920x1080@24p	24
1920x1080@24PsF	48 ³
1920x1080@25p	25
1920x1080@50i / 25PsF	50 ³
1920x1080@59.94i	59.94 ³
1920x1080@60i	60 ³

NOTES:

1. When the frame-sync is OFF, the graphic card MUST be genlocked to the same reference as the DVI-Ramp². When the frame-sync function is ON, the DVI refresh rate can deviate from the suggested one but will cause drop/repeat of frames at a rate proportional to the deviation.
2. For interlaced scan formats, the refresh rate is specified in terms of field rate. Thus, a refresh rate of 59.94 fields per second is specified as 59.94i.
3. When the recommended DVI frame rate is twice the SDI frame rate, each "source" frame content must be repeated. Example: with the DVI input as 1920x1080@59.94p and SDI output as 1920x1080@59.94i (frame rate @ 29.97 fps), the processing would be as follows:
DVI: frameA, frameA, frameB, frameB, ... → DVI-Ramp → SDI: frameA, frameB, ...
4. All supported DVI resolutions are progressive scan formats

4 Technical Specifications

INPUT

DVI (x2)

SIGNAL: Digital Visual Interface (DVI Revision 1.0)
CONNECTORS: DVI-D. "DVI-D IN A" is DUAL-LINK whereas "DVI-D IN B" is SINGLE-LINK.

SD/HD SDI (x1 on DSK model only)

SIGNAL: SMPTE-259M-C (270Mbps) and SMPTE-292M (1.485, 1.485/1.001 Gbps)
FORMATS: SD 525 and 625 lines.
HD 1920x1080i @ 50, 59.94 and 60 fields per seconds
HD 1280x720p @ 50, 59.94 and 60 frames per seconds
RETURN LOSS: > 15 dB up to 1.5 GHz
CONNECTOR: 75 Ω BNC

REFERENCE INPUT (x1 with passive loop-through)

SIGNAL: SMPTE 170M/ITU 624-4 black burst (with no video content)
SMPTE 274M / SMPTE 296M Tri-Level Sync
RETURN LOSS: > 35 dB up to 5.75 MHz
CONNECTORS: 75 Ω BNC

OUTPUT

SD/HD SDI (x4)

SIGNAL: SMPTE 292M (1.485, 1.485/1.001 Gbps) and SMPTE-259-C (270 Mbps)
FORMATS: SD 525 and 625 lines.
HD 1920x1080i @ 50, 59.94 and 60 fields per seconds
HD 1920x1080psf @ 23.98 and 24 frames per seconds
HD 1920x1080p @ 23.98, 24 and 25 frames per seconds
HD 1280x720p @ 50, 59.94 and 60 frames per seconds
RETURN LOSS >15 dB up to 1.5 GHz
Except for output A1 of DSK model (through relay):
In bypass mode: > 12 dB up to 1.5 GHz
In active mode: 0 – 750 MHz: > 10 dB
750 – 1500 MHz: > 8 dB
JITTER SD: < 0.2 UI p-p wideband
HD: < 0.2 UI p-p above 100 KHz

OTHER

POWER 22 W @ 12V (Universal AC Adaptor supplied)
FORM FACTOR Standalone – half-width of standard 19" rack
1 RU high, 8 13/16" deep (224 mm) including BNC connectors