

Trinix Multiviewer Quick Start Guide

Download the latest Documentation

Please download the latest documentation from the Grass Valley Web site.

Install the TMV Boards in the correct Output Location

The TMV board must be installed in the following Output ranges:

256X512

Jupiter: 128-159, 160-191, 192-223, 224-255, 256-287, 288-319, 320-351, and 352-383
Encore: 129-160, 161-192, 193-224, 225-256, 257-288, 289-320, 321-352, and 353-384

128X128*

Jupiter: 0-31 and 64-95 only
Encore: 1-32 and 65-96 only

256X256*

Jupiter: 0-31, 64-95, 128-159, and 192-223
Encore: 1-32, 65-96, 129-160, and 193-224

512X512*

Jupiter: 0-31, 64-95, 128-159, and 192-223
Encore: 1-32, 65-96, 129-160, and 193-224

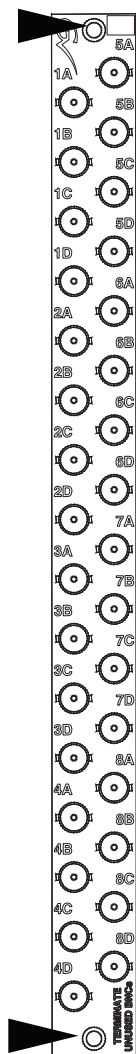
A TMV board may be placed in any Output slot for the 128x256 and the 512x1024 Trinix Routing switchers.

* For optimum power and thermal efficiency, each TMV board in a 128x128, 256x256 or 512x512 Trinix Frame requires two slots; one slot for the board and an empty adjacent slot.

Follow Grass Valley's recommended ESD guidelines as explained in the TMV Installation and Service Manual.

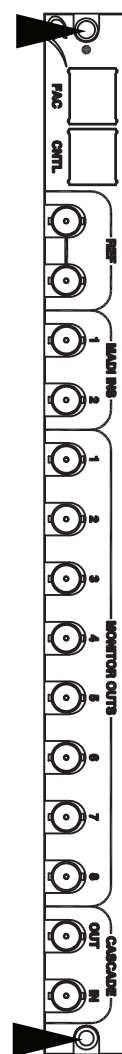
Installing the Trinix Multiviewer

Remove the top and bottom screw for the rear Output panel.



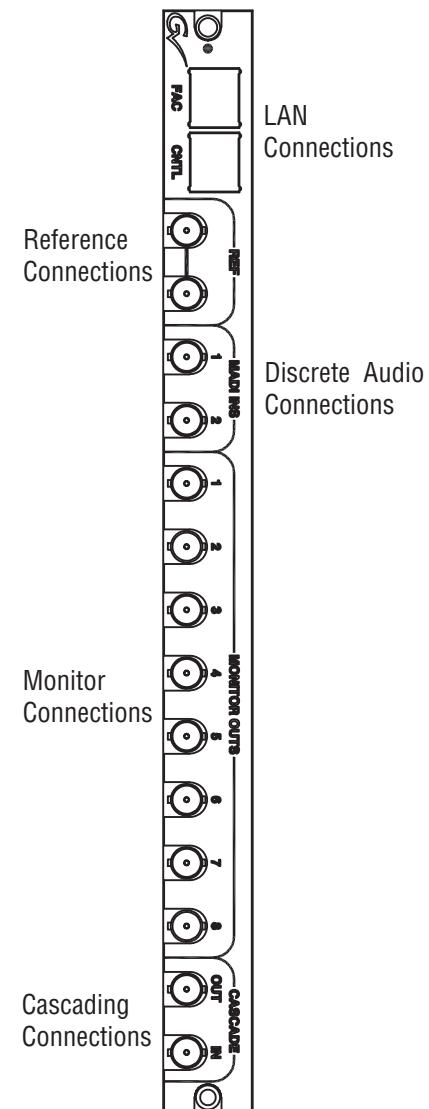
Remove the rear Output panel and Place the TMV rear panel into the Output slot.

Fasten the TMV rear panel to the frame using the provided screws.



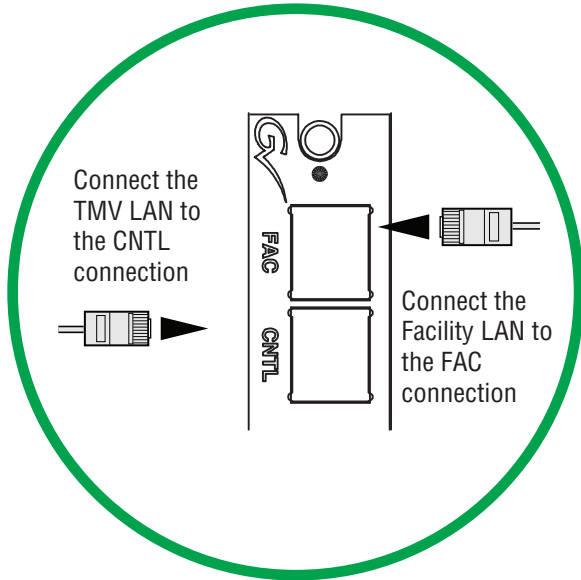
From the front of the Trinix frame, insert the TMV boards into their corresponding locations and then lock them into place.

Trinix Multi-Viewer (TMV) Connections

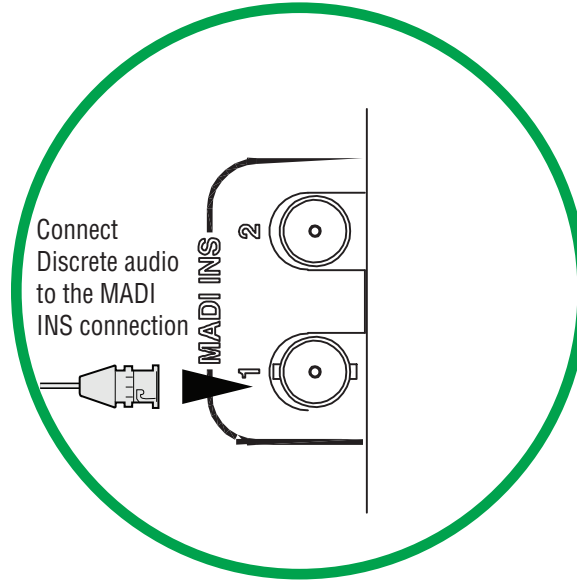


Trinix Multiviewer Quick Start Guide Continued

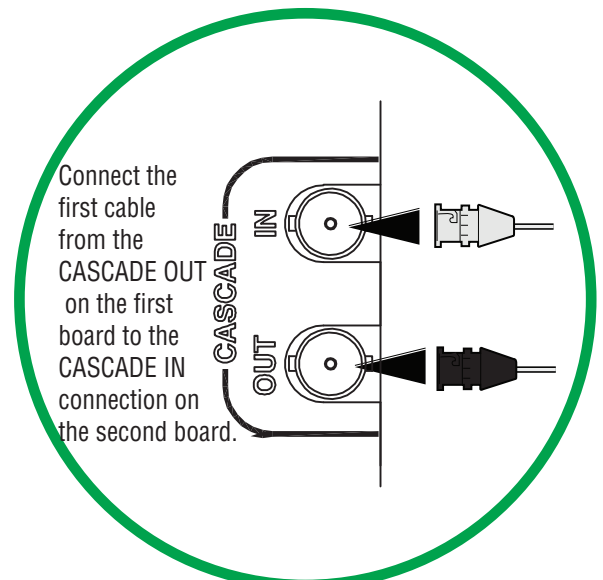
1 Connect Network Connections



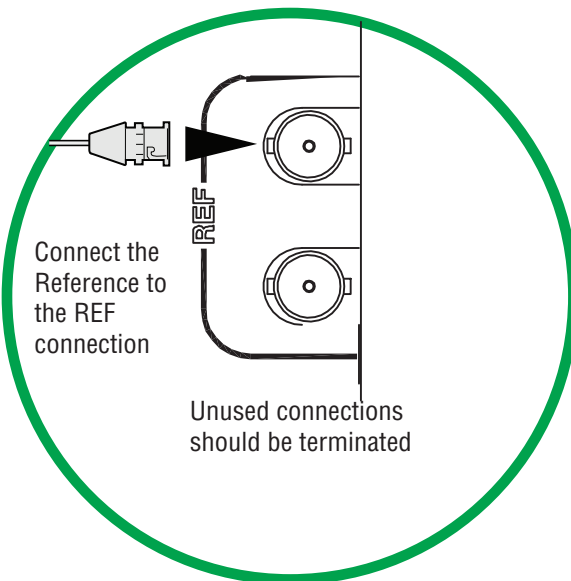
3 Connect MADI Discrete Audio Connections



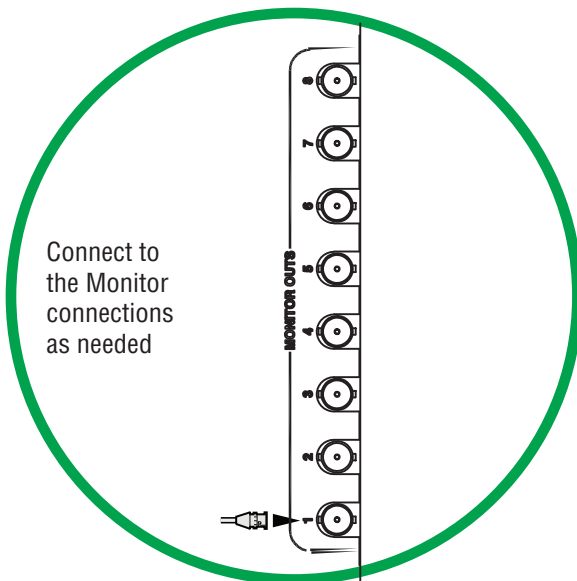
5 Connect Multiple TMV Boards



2 Connect Reference Connections



4 Connect Monitor Connections



Install the TMV Software on the TMV PC

Place the TMV CD into the PC and follow the Prompts. Start the TMV Editor. See the Trinix Multiviewer Installation and Service Manual.