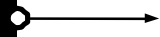


TRITON routing switcher

X-Y Control Panel 64x64

Product model no. TTN-CP-6464



INSTALLATION MANUAL

MANUAL PART NO. 071-8243-00 Rev. 2
MARCH 18, 2003

the most watched worldwide

Headquarters

Thomson Broadcast Systems
17 rue du Petit Albi - BP 8244
95801 Cergy Pontoise Cedex
FRANCE

Thomson Broadcast and
Media Solutions, Inc.
P.O. Box 599000
Nevada City, CA 95959-7900
USA

Copyright 2003 Thomson Broadcast and Media Solutions, Inc. All rights reserved. Grass Valley, Jupiter, and Triton are trademarks of Thomson. Specifications subject to change without notice.

For customer service, please call (800) 547-8949. For comments or questions concerning this manual, please contact: Technical Publications Department, P.O. Box 30816, Salt Lake City, Utah 84130 USA. Phone: (801) 972-8000. Fax: (801) 977-1602. Email: SLCTechpubs@THmulti.com

Contents

	Electromagnetic Radiation Notice	iv
	Hardware Warranty and Software License	v
	Parts and Service	v
	Revision history	vi
1	General	1
1.1	Front panel drawing	1
1.1.1	Input Selection Panel	1
1.1.2	Output Selection Panel	1
1.2	Connection drawing	2
1.2.1	Input Selection Panel	2
1.2.2	Output Selection Panel	2
2	Power connection	3
3	NCB connection	4
3.1	Control bus structure	4
3.2	Maximum distance between NCB devices	4
3.3	Several routers in one system	4
3.4	Connecting control panels	4
3.5	Pin-out and cable type	5
3.5.1	RJ45 connectors	5
3.5.2	5-pin DIN connectors	5
3.5.3	RJ45 to 5-pin DIN converter	6
3.6	Control Bus configuration notes	6
4	Control panel configuration	8
4.1	Input Selection Panel	8
4.1.1	Panel level	8
4.2	Output Selection Panel	9
4.3	Programming of restrictions	9
5	Operating the CP-6464	10
5.1	PANEL ENABLE button	10
5.2	V/A TOGGLE button	10
5.3	Operating crosspoints	10
5.4	TAKE function	10

Electromagnetic Radiation Notice

The following information is given to note compliance with the United States Government Federal Communications Commission (FCC) Rules (47 CFR Part 15) designed to limit interference to radio and TV reception. The ruling establishes measurement procedures and frequency criteria for Class A computing devices (commercial and industrial applications) with the following conduction and radiation limits:

CLASS A COMPUTING DEVICE: CONDUCTION LIMIT (Part 15.812)

<i>Frequency (MHz)</i>	<i>Maximum RF Line Voltage (uV)</i>
0.45 - 1.6	1000
1.6 - 30	3000

CLASS A COMPUTING DEVICE: RADIATION LIMIT (Section 15.810)

<i>Frequency (MHz)</i>	<i>Distance (meters)</i>	<i>Field Strength (uV/m)</i>
30 - 88	30	30
88 - 216	30	50
216 - 1000	30	70

The policy of Thomson is one of continual development and improvement. For that reason Thomson uses components and manufacturing techniques that provide the current state-of-the-art suppression of electromagnetic radiation. This equipment, in production before October 1, 1981, has not been tested to the above listed measurements. However, equipment such as this delivered after October 1, 1983 will have the measurements on record at the factory. Therefore, in compliance with the stated FCC Regulation, the following information is provided for the user:

NOTE

Interference to Radio Communications

This equipment generates, uses, and can radiate radio frequency energy and if not installed and used in accordance with the instruction manual, may cause interference to radio communications. As temporarily permitted by regulation it has not been tested for compliance with the limits for Class A computing devices pursuant to Subpart J of of Part 15 of FCC Rules, which are designed to provide reasonable protection against such interference. **Operation of this equipment in a residential area is likely to cause interference** in which case the user at his own expense will be required to take whatever measures may be required to correct the interference.

Hardware Warranty and Software License

Please contact your local Thomson representative for hardware warranty and software license information.

Parts and Service

Thomson maintains a full stock of replacement parts available for immediate shipment.

NORTH AMERICA PARTS AND SERVICE

Please call toll-free **1-800-547-8949**.

You will be switched automatically to the parts and service representative nearest you.

For email correspondence: broadcast-support@thmulti.com

Internet: <http://www.thomsongrassvalley.com>

INTERNATIONAL PARTS AND SERVICE

Contact your Thomson representative.

Revision history

Current revision of this document is the uppermost in the table below.

Revision	Replaces	Date	Change Description
2	1	18/03/03	Updated with new Thomson/GVG design.
1	0	26/07/02	Corrected error in 1.2.2. (Include both panels in MIDI!)
0	-	04/01/02	Initial Revision

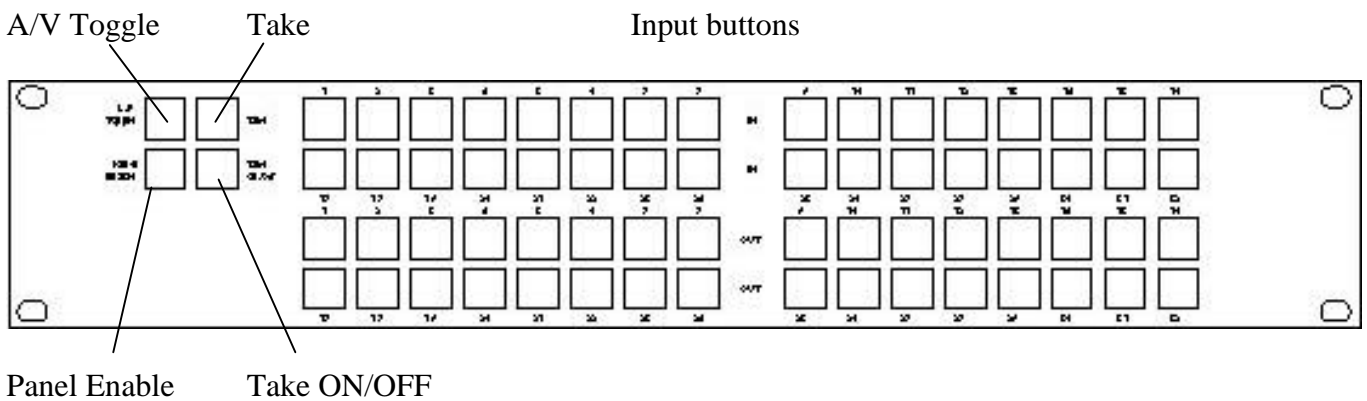
1 General

The CP-6464 is an X-Y remote control panel for the Triton series routing switchers. The panel consists of two separate panels, offering 64 input select buttons on the top panel, and 64 output select buttons on the bottom panel. The input buttons have different colors for displaying both video and audio status during breakaway operations. The bottom row selects the router outputs. The last selected output will be indicated with color in the button. On the left-hand side the panel provides 4 function keys with following functions:

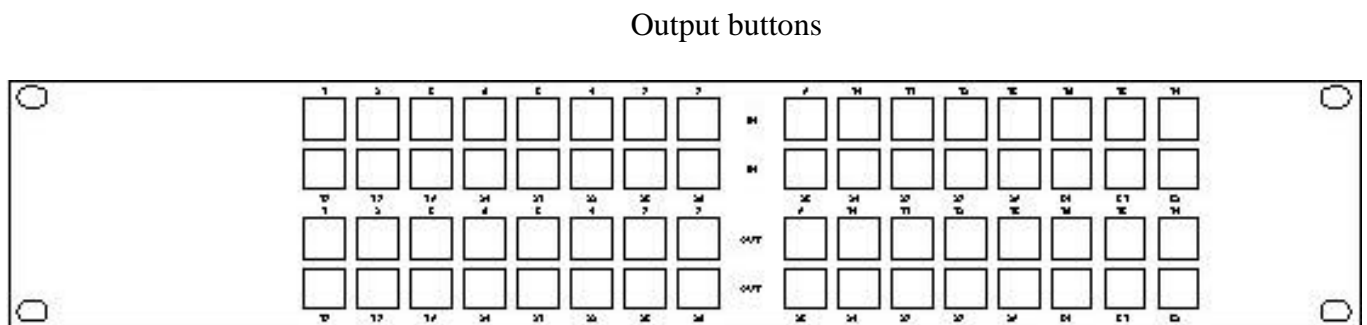
- TAKE Executes the last operation
- TAKE ON/OFF Enables / disables Take function
- AUDIO / VIDEO Enables Audio, Video or AFV
- ENABLE Enables panel

1.1 Front panel drawing

1.1.1 Input Selection Panel

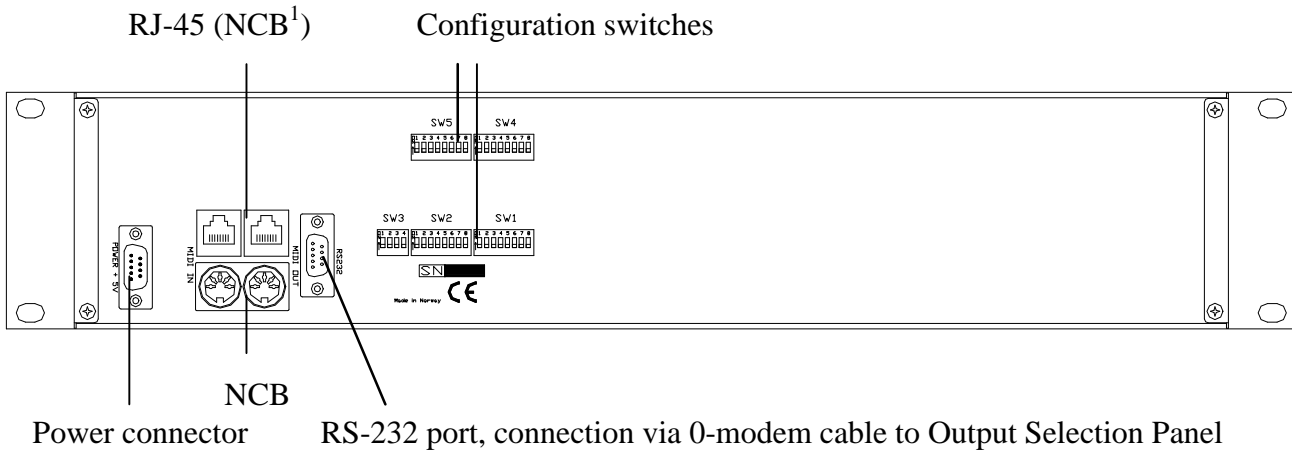


1.1.2 Output Selection Panel

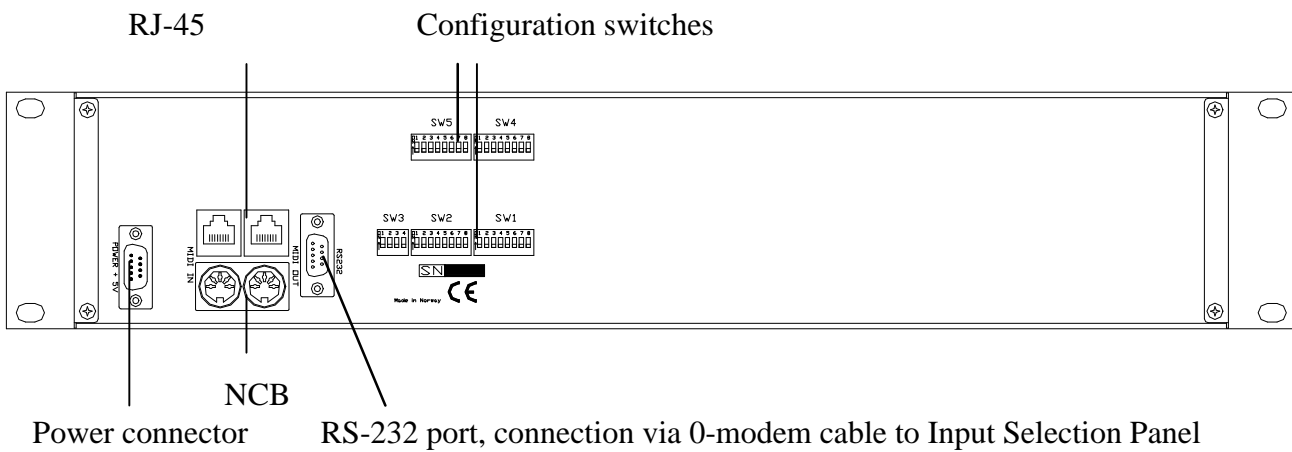


1.2 Connection drawing

1.2.1 Input Selection Panel



1.2.2 Output Selection Panel



¹ Network Control Bus. The protocol of this bus is equal, and compatible to the MIDI bus protocol. The user may connect to the bus with RJ-45 or MIDI connectors, but only 1 “IN” and 1 “OUT” may be connected.

2 Power connection

Do not connect mains to the desktop power supply before connecting the power supply to the router.

Connect the DB9 female connector from the desktop power supply to the main unit. Tighten the screws to assure a proper contact. To connect mains to the desktop power supply you need a mains cord with IEC 320 connector.

Both panels forming the CP-6464 are normally delivered with the desktop power model **AC $\pm 5V$ / 10W**. Upon customer request, CP-6464 can also be delivered with **DC $\pm 5V$ / 30W**, which may be fed by a 36 – 72 VDC mains power source. A Frame mounted power supply solution is also available.

Please refer to the latest Triton Product Catalogue for power supply types, or call Thomson Grass Valley for this information.

If any third party power supply is used, both panels forming the CP-6464 requires +5V DC with a minimum current of 200mA. The following pin-out is used on the DB9 male power connector:

Pin 1	0V
Pin 2	+5V

3 NCB connection

Via the Network Control Bus system several routers and control panels can be interconnected. CP-6464 utilises MIDI and/or RJ-45 connectors for connecting to the NCB.

Up to 16 levels of routers, or combinations of routers, can be controlled from the Triton - Router Control System. The NCB system and all RS-232 ports interchange the system status. This means that any control system, either from Triton, or from a third party manufacturer, connected to any RS-232 port in the NCB loop, will have access to all communication data on the bus.

3.1 Control bus structure

The Network Control Bus follows the standard MIDI bus definition. The NCB is defined as a closed chain of units. This means that the NCB OUT of the last unit must be connected to the NCB IN of the first unit in the NCB chain. To avoid problems with the control of Triton units the installer/user has to assure that the bus structure is installed according to this definition. The total number of Triton devices in an NCB chain is limited to 20.

3.2 Maximum distance between NCB devices

The standard MIDI definition allows a maximum cable length of 250 meters between two devices. To avoid grounding problems all NCB ports have opto-coupled inputs.

3.3 Several routers in one system

The NCB system allows the interconnection of up to 16 routers with different levels in one system. A combination of routers working married counts as one level. This might for example be 1 audio router + 1 video router working as an audio follows video routing system, or 3 video routers working as 1 RGB (YUV) routing system. All routers in such a constellation must be configured to the same level.

3.4 Connecting control panels

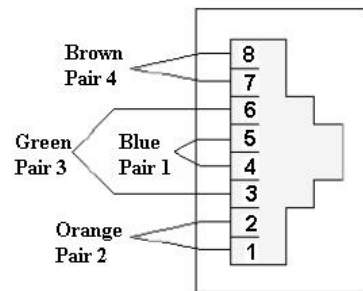
To get a control panel working with a specific router, configure the control panel to the same level as the router. Several panels can be configured to control the same router. The CP-6464 can control 2 levels with breakaway function. If it is necessary to control more levels with breakaway an additional panel must be used. **Panels can also be connected to a router via the RS-232 interface. See hereunder for connection details.**

3.5 Pin-out and cable type

3.5.1 RJ45 connectors

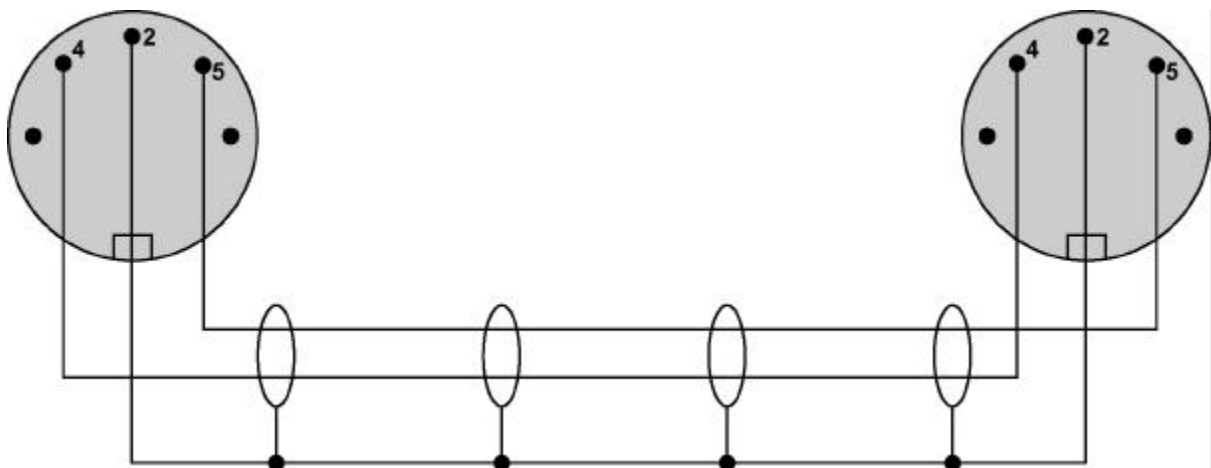
On some Triton devices, the NCB cable can be connected to RJ-45 connectors. The following pin-out is used:

- Pin 1 = Not Connected
- Pin 2 = Not Connected
- Pin 3 = Not Connected
- Pin 4 = data
- Pin 5 = data
- Pin 6 = Not Connected
- Pin 7 = Not Connected
- Pin 8 = Not Connected



3.5.2 5-pin DIN connectors

However, on Triton devices that use MIDI connectors to connect to the NCB, these connectors follow the standard MIDI specification. A 1:1 cable with 5pin DIN connector is used. The following pin-out is used:

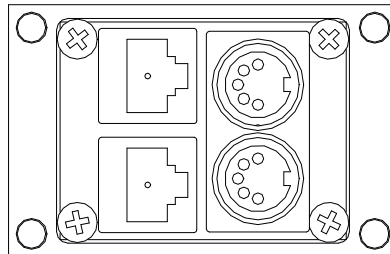


- Pin 1 = Not Connected
- Pin 2 = shield
- Pin 3 = Not Connected
- Pin 4 = data
- Pin 5 = data

The standard MIDI specification recommends the use of shielded twisted pair cable types for interconnection between the units.

3.5.3 RJ45 to 5-pin DIN converter

In configurations that include both devices with RJ45 connectors, and devices with 5-pin DIN connectors, an RJ45 to 5-pin DIN converter may be used to complete the control loop. This converter holds both connector types, and may work both ways, thus from RJ45 to 5-pin DIN, as well as from 5-pin DIN to RJ45.



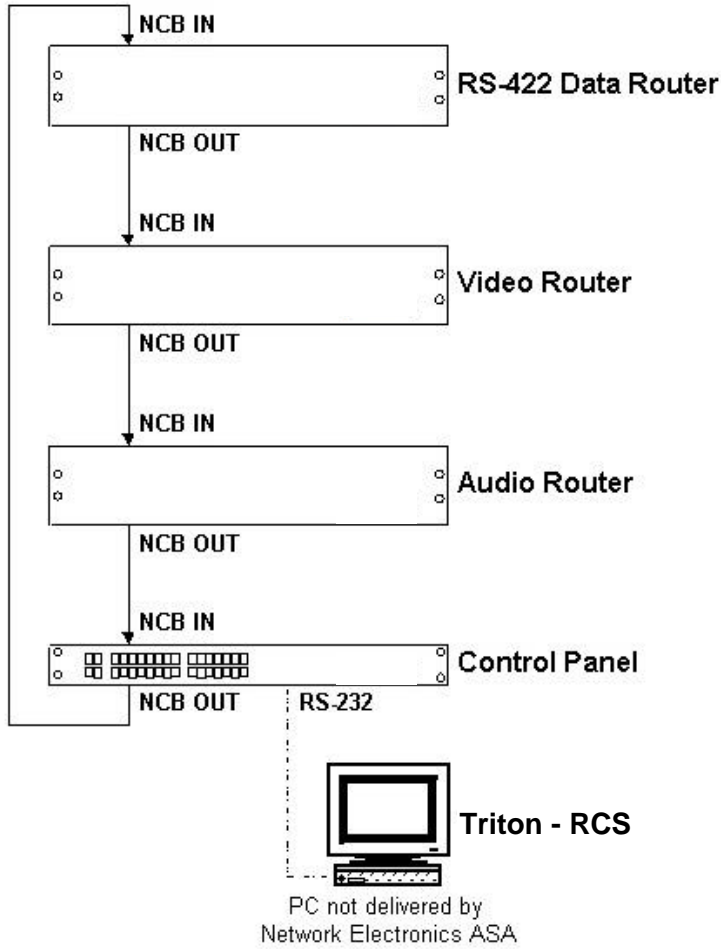
The converter is connected as follows:

RJ45 (Router/CP)	RJ45 (Converter)	5-pin DIN (Converter)	5-pin DIN (Router/CP)
IN	IN	IN	OUT
OUT	OUT	OUT	IN

3.6 Control Bus configuration notes

In order to achieve a system that is easy to maintain and control, follow the important notes, presented hereunder.

- *Avoid using routers of different size, but same signal type (audio/video), on the same level.*
 Example: Do not configure a system with a BVS-1616 and a BVS-0808 on the same level. If they were on the same level, crosspoint commands that were sent to the BVS-1616 lying outside the range of the BVS-0808 would not be executed; the BVS-0808 would throw them off the bus. However, a combination of a BVS-1616 and an BAS-0808 will work well, because commands are different for video- and audio routers.
- *Try to limit the number of devices on one Control Bus loop.* If possible, separate systems that are not to be controlled by one central control panel.
 If you need to have several systems in one loop, try to separate as follows, using the DIP switches on the rear of the devices:
 - Analogue Video + Analogue Audio + CP for analogue system on Level 1
 - SDI + AES/EBU + CP for digital system on Level 2
 - RS-422 Data + CP for data on Level 3
 - Universal Control Panel to control all devices above, with user configurable default level.
- Pay attention to the figure below, in order to achieve full controllability of all devices in the loop.



Note!
The Video and Audio Routers may swap positions in the loop. However, they **MUST** be positioned **AFTER** the RS-422 Data Router. The Control Panels **must** be the **last** devices before closing the loop.

- Complete the Control loop, by connecting all Control bus connections to all Triton devices, before powering up any Triton device.

4 Control panel configuration

4.1 Input Selection Panel

The first Dip-Switch Block, lower right, SW1 (8 user switches).
 These are not used for this product, and must be in position OFF (down).

The second Dip-Switch Block, lower middle, SW2 (8 user switches).
 These are not used for this product, and must be in position OFF (down).

The third Dip-Switch Block, bottom left, SW3 (4 user switches).
 These are not used for this product, and must be in position OFF (down).

The fourth Dip-Switch Block, upper right, SW4 (8 user switches).
 These are not used for this product, and must be in position OFF (down).

4.1.1 Panel level

The fifth Dip-switch Block, upper left, SW5 (8 user switches).

Switches 1 – 3 (from left) on the configuration switch set the control panels level for communication with the other units in the NCB system. The panels on the NCB dedicated to operate with a specific router have to be configured to the same level.

Note that although the Triton routers may be configured up to 16 levels, the Triton control panels may only be configured up to 8 levels. Levels 9 – 16 must be controlled by either Triton - Router Control System, or by any third party router control system.

The levels can be switched according to the following pattern:

- means switch OFF (down)
- * means switch ON (up)

Default level is 1.

Switch	1	2	3	Level
	-	-	-	1
	-	-	*	2
	-	*	-	3
	-	*	*	4
	*	-	-	5
	*	-	*	6
	*	*	-	7
	*	*	*	8

Switch 4 – 8 is not in use for this product.

4.2 Output Selection Panel

The first Dip-Switch Block, lower right, SW1 (8 user switches).
These are not used for this product, and must be in position OFF (down).

The second Dip-Switch Block, lower middle, SW2 (8 user switches).
These are not used for this product, and must be in position OFF (down).

The third Dip-Switch Block, bottom left, SW3 (4 user switches).
These are not used for this product, and must be in position OFF (down).

The fourth Dip-Switch Block, upper right, SW4 (8 user switches).
These are not used for this product, and must be in position OFF (down).

The fifth Dip-switch Block, upper left, SW5 (8 user switches).
These are not used for this product, and must be in position OFF (down).

4.3 Programming of restrictions

If the Restrictions option is enabled by the user, the previously programmed restrictions will be fetched from the on-board memory during power-up. New restrictions may be programmed by putting the panel in "Programming mode". This is done, starting from Panel Disable state, by pushing and holding "V/A toggle", "Take On/Off" and "Take" and then pushing "Panel Enable". Programming mode is indicated by blinking "Panel Enable" and "Take".

All the legal inputs for the selected output are shown by orange light in button. The Legal/Illegal toggle is done by pushing the appropriate input button. When a new output is selected, the programming of the previous output is saved in the on-board memory and the old setting of the new output is fetched from the on-board memory.

After all necessary programming is done, the programming mode is stopped by pushing Panel Disable.

Disabling an output completely is done by disabling all inputs for the given output. When in normal mode these outputs may be selected for viewing the status, but not controlled.

5 Operating the CP-6464

5.1 PANEL ENABLE button

After powering-up the control panel will be disabled. Press the PANEL ENABLE button to start operating. If you want to lock the control panel after use you simply disable by operating the PANEL ENABLE button once again.

Please note! The panel will not show any status information without being connected to a Triton router either via NCB or RS-232. In case you do not get any status information please check the interface cables and re-start the panel by pressing PANEL ENABLE 2x.

5.2 V/A TOGGLE button

After powering-up the control panel will operate audio follow video. The V/A TOGGLE button is illuminated. By operating the V/A toggle button you can select the layer you want to switch. Red colour means only audio. Green colour means only video. Orange colour means audio follow video.

5.3 Operating crosspoints

Operating crosspoints is an easy task with CP-6464. You select the output you want to operate on the OUTPUT BUTTON panel. With the next operation you select one of the inputs on the INPUT BUTTON panel. The crosspoint operation will be executed when pressing the input button.

The panel updates the LED after receiving an acknowledge message from the router. If the acknowledge is missing the LED will start to blink. In this case please check the interface connection (NCB or RS-232) and if the router is powered up. In case you press a button outside the routing area (e.g. when controlling an 8x8 router with a 16x16 panel) the INPUT BUTTON LED will start to blink indicating that you try to operate without having access.

5.4 TAKE function

The CP-6464 provides a TAKE function, which can be activated by pressing the TAKE ON/OFF button. The TAKE ON/OFF button will show green light if the TAKE function is activated. After selecting input like described under 4.3 the INPUT button and the TAKE button will start to blink. The crosspoint operation will be executed by pressing the TAKE button. If you work with video/audio breakaway you can first select the video layer, afterwards the audio layer and finally execute both operations at the same time with the TAKE button.

Note: All buttons are provided with backlight in addition to the other colours.