

TRITON routing switcher

RS-422 Data Router 32x32

Product model no. TTN-BRS-3232

→ INSTALLATION MANUAL

MANUAL PART NO. 071-8241-00 Rev. 1
FEBRUARY 28, 2003

the most watched worldwide

Headquarters

Thomson Broadcast Systems
17 rue du Petit Albi - BP 8244
95801 Cergy Pontoise Cedex
FRANCE

Thomson Broadcast and
Media Solutions, Inc.
P.O. Box 599000
Nevada City, CA 95959-7900
USA

Copyright 2003 Thomson Broadcast and Media Solutions, Inc. All rights reserved. Grass Valley, Jupiter, and Triton are trademarks of Thomson. Specifications subject to change without notice.

For customer service, please call (800) 547-8949. For comments or questions concerning this manual, please contact: Technical Publications Department, P.O. Box 30816, Salt Lake City, Utah 84130 USA. Phone: (801) 972-8000. Fax: (801) 977-1602. Email: SLCTechpubs@THmulti.com

Contents

Electromagnetic Radiation Notice	v
Hardware Warranty and Software License	vi
Parts and Service	vi
Revision history	vii
1. General	1
1.1. Specifications	1
1.2. Connection drawing	2
2. Power connection	3
3. Connecting the BRS-3232 to your PC	3
3.1. Selection of router level	3
3.2. Pin-out of RS-232 connector	3
3.3. Maximum cable length	3
4. NCB connection	4
4.1. Several routers in one system	4
4.2. Connecting control panels	4
4.3. Pin-out and cable type	5
4.3.1. RJ45 connectors	5
4.3.1. 5-pin DIN connectors	5
4.3.2. RJ45 to 5-pin DIN converter	6
4.4. Control bus structure	6
4.5. Maximum distance between NCB devices	6
4.6. Control Bus configuration notes	6
5. Router configuration	8
5.1. Router level	8
5.2. Router orientation	8
5.3. Control mode	9
6. Connecting RS-422 signals to the BRS-3232	10
7. Control and connection of Triton systems, interface protocol	12
7.1. Important notes regarding the Triton Control Protocol	12
7.1.1. Binary Code	12
7.1.2. Echo	12
7.1.3. RS-422 Matrixes	12
7.1.4. Timeout	12
7.2. Basic principles	12
7.2.1. Example: A single unit with no NCB connected	12
7.2.2. Example: Several units connected by NCB	13

7.3.	RS232	13
7.4.	NCB	14
7.5.	Commands	14
7.5.1.	Audio crosspoint set	14
7.5.2.	Audio crosspoint set acknowledge	14
7.5.3.	Video crosspoint set	15
7.5.4.	Video crosspoint set acknowledge	15
7.5.5.	Crosspoint status request	15

Electromagnetic Radiation Notice

The following information is given to note compliance with the United States Government Federal Communications Commission (FCC) Rules (47 CFR Part 15) designed to limit interference to radio and TV reception. The ruling establishes measurement procedures and frequency criteria for Class A computing devices (commercial and industrial applications) with the following conduction and radiation limits:

CLASS A COMPUTING DEVICE: CONDUCTION LIMIT (Part 15.812)

<i>Frequency (MHz)</i>	<i>Maximum RF Line Voltage (uV)</i>
0.45 - 1.6	1000
1.6 - 30	3000

CLASS A COMPUTING DEVICE: RADIATION LIMIT (Section 15.810)

<i>Frequency (MHz)</i>	<i>Distance (meters)</i>	<i>Field Strength (uV/m)</i>
30 - 88	30	30
88 - 216	30	50
216 - 1000	30	70

The policy of Thomson is one of continual development and improvement. For that reason Thomson uses components and manufacturing techniques that provide the current state-of-the-art suppression of electromagnetic radiation. This equipment, in production before October 1, 1981, has not been tested to the above listed measurements. However, equipment such as this delivered after October 1, 1983 will have the measurements on record at the factory. Therefore, in compliance with the stated FCC Regulation, the following information is provided for the user:

NOTE

Interference to Radio Communications

This equipment generates, uses, and can radiate radio frequency energy and if not installed and used in accordance with the instruction manual, may cause interference to radio communications. As temporarily permitted by regulation it has not been tested for compliance with the limits for Class A computing devices pursuant to Subpart J of of Part 15 of FCC Rules, which are designed to provide reasonable protection against such interference. **Operation of this equipment in a residential area is likely to cause interference** in which case the user at his own expense will be required to take whatever measures may be required to correct the interference.

Hardware Warranty and Software License

Please contact your local Thomson representative for hardware warranty and software license information.

Parts and Service

Thomson maintains a full stock of replacement parts available for immediate shipment.

NORTH AMERICA PARTS AND SERVICE

Please call toll-free **1-800-547-8949**.

You will be switched automatically to the parts and service representative nearest you.

For email correspondence: broadcast-support@thmulti.com

Internet: <http://www.thomsongrassvalley.com>

INTERNATIONAL PARTS AND SERVICE

Contact your Thomson representative.

Revision history

Current revision of this document is the uppermost in the table below.

Revision	Replaces	Date	Change Description
1	0	28/02/03	New FW, with 16 levels/addresses instead of 8.
0	-	27/02/03	Initial Revision

1. General

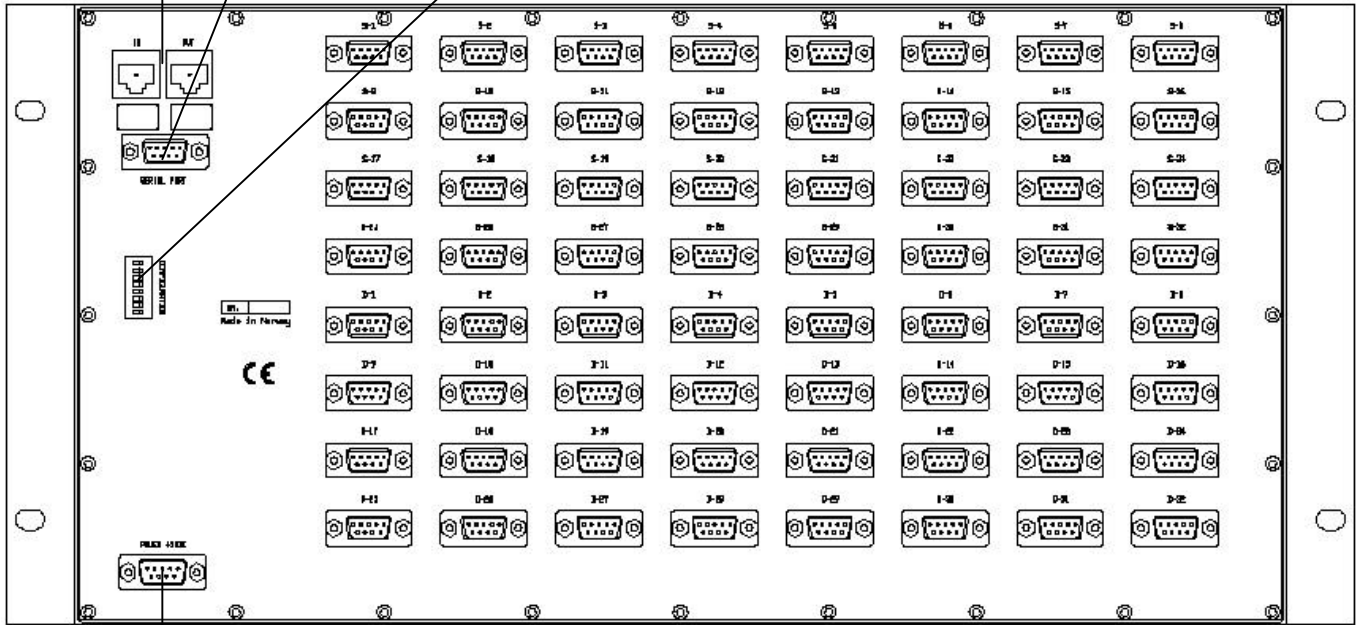
The BRS-3232 is a 32x32 RS-422 data router that simplifies the installation of any of your systems that requires machine control. All ports (sources and destinations) are coupled according to SMPTE-207M machine control standard. The BRS-3232 is well suited for all demanding routing tasks in studio, broadcast and CCTV applications. The built-in RS-232 interface allows the user to control the router via the Triton Router Control System PC software, with many operational features. The control bus technology allows linking the unit with all the other Triton router families and signal formats. One or several Triton remote control panels can control the BRS-3232 as well.

1.1. Specifications

Signal type:	RS-422 data
Data rate:	5 Mbps
Connector:	D9pin female, according to SMPTE-207M
AC power:	External power supply 100 - 260 VAC
DC power:	+5V, connector DB9 male
Dimensions:	483 x 220 x 35 mm (19", 5RU)

1.2. Connection drawing

NCB¹ RS-232 port Configuration switches
Inputs



Power connector

Outputs

¹ Network Control Bus. The protocol of this bus is equal, and compatible to the MIDI bus protocol.
2

2. Power connection

Do not connect mains to the desktop power supply before connecting the power supply to the router.

Connect the DB9 female connector from the desktop power supply to the main unit. Tighten the screws to assure a proper contact. To connect mains to the desktop power supply you need a mains cord with IEC 320 connector.

The BRS-3232 is normally delivered with the desktop power model **AC $\pm 5V$ / 30W**. Upon customer request, BRS-3232 can also be delivered with **DC $\pm 5V$ / 30W**, which may be fed by a 36 – 72 VDC mains power source. A Frame mounted power supply solution is also available.

Please refer to the latest Triton Product Catalogue for power supply types, or call Thomson Grass Valley for this information.

If any third party power supply is used the BRS-1616 router requires +5V DC with a minimum current of 800mA. The following pin-out is used on the DB9 male power connector:

Pin 1	0V
Pin 2	+5V

3. Connecting the BRS-3232 to your PC

For connection to a PC with Triton - Router Control System, the RS-232 interface is used. The RS-232 port on all Triton devices uses the standard DCE pin-out, see pin-out table under 4.3. A standard modem cable can be used for connecting the router to the PCs serial port.

3.1. Selection of router level

The router level depends on the system configuration the router is going to work with. See chapter 5 for more information. All routers are delivered with default level 1. Triton - Router Control System offers the control of up to 16 different routers or combinations of routers.

3.2. Pin-out of RS-232 connector

The DB9 female connector for the RS-232 port has the following pin-out:

Pin 2	Tx
Pin 3	Rx
Pin 5	GND

3.3. Maximum cable length

The maximum cable length for an RS-232 connection is per definition 15m. Longer distances can be installed depending on the environmental conditions of the installation site. It is the responsibility of the installer / user to secure a proper installation of the RS-232 connection.

4. NCB connection

Via the Network Control Bus system several routers and control panels can be interconnected. The standard MIDI interface is used on all NCB control ports. The BRS-3232 router utilises RJ45 connectors for connecting to the NCB. However, for interconnection between the other Triton devices a standard MIDI cable with 5pin DIN connector on both ends is used. This means that when you connect your BRS-3232 router to other Triton devices, with MIDI connectors, an RJ45/MIDI interface is necessary. *This converter can be ordered from Thomson Grass Valley.*

The NCB system allows connection of up to 16 routers with different levels on the same bus. Control panels dedicated to work with a specific router must be configured to the same level as the router. Several panels can work together with one specific router. Up to 16 single routers or combinations of routers can be controlled from the Triton - Router Control System. The NCB system and all RS-232 ports interchange the system status.

4.1. Several routers in one system

The NCB system allows the interconnection of up to 16 routers with different levels in one system. A combination of routers working married counts as one level. This might for example be 1 audio router + 1 video router working as an audio follows video system or 3 video routers working as an RGB (YUV) system. The routers in such a constellation must be configured to the same level.

4.2. Connecting control panels

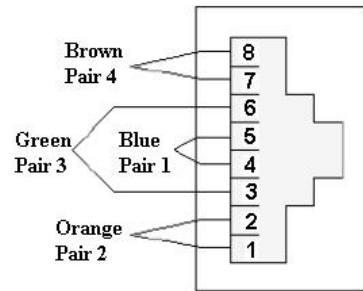
To get a control panel working with a specific router, configure the control panel to the same level as the router. Several panels can be configured to control the same router. The Triton panels can control 2 levels with breakaway function. If it is necessary to control more levels with breakaway an additional panel must be used. **Panels can also be connected to a router via the RS-232 interface. Please refer to your control panel manual for installation.**

4.3. Pin-out and cable type

4.3.1. RJ45 connectors

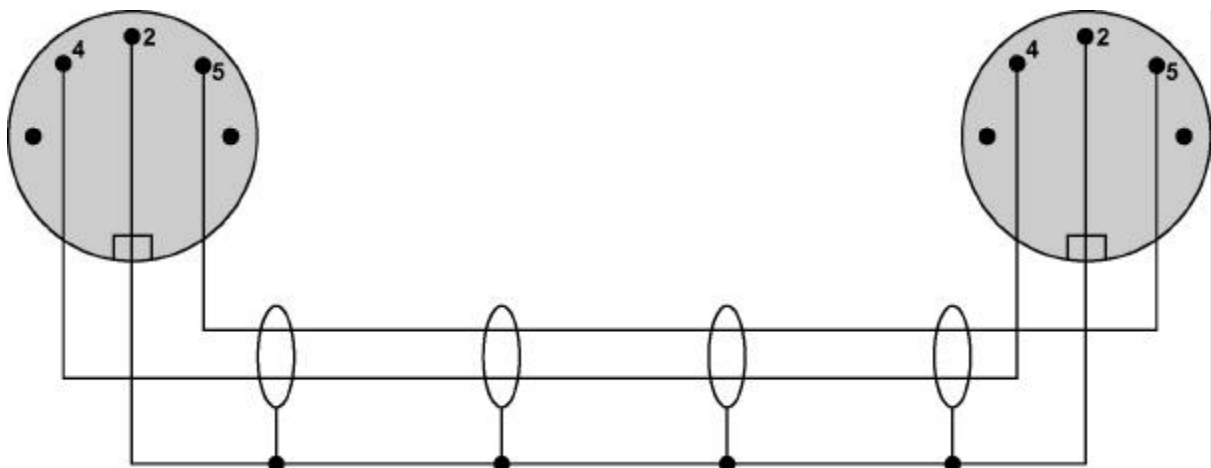
On BRS-3232, the NCB cable can be connected to RJ-45 connectors. The following pin-out is used:

- Pin 1 = Not Connected
- Pin 2 = Not Connected
- Pin 3 = Not Connected
- Pin 4 = data
- Pin 5 = data
- Pin 6 = Not Connected
- Pin 7 = Not Connected
- Pin 8 = Not Connected



4.3.1. 5-pin DIN connectors

However, the pin-out of most Network Control Bus ports follows the standard MIDI specification. A 1:1 cable with 5pin DIN connector is used. The following pin-out is used:

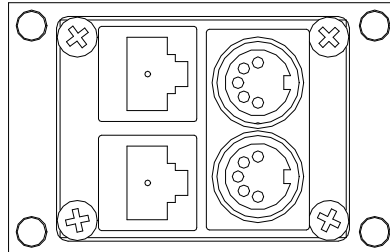


- Pin 1 = Not Connected
- Pin 2 = shield
- Pin 3 = Not Connected
- Pin 4 = data
- Pin 5 = data

The standard MIDI specification recommends the use of shielded twisted pair cable types for interconnection between the units.

4.3.2. RJ45 to 5-pin DIN converter

In configurations that include both devices with RJ45 connectors, and devices with 5-pin DIN connectors, an RJ45 to 5-pin DIN converter may be used to complete the control loop. This converter holds both connector types, and may work both ways, thus from RJ45 to 5-pin DIN, as well as from 5-pin DIN to RJ45.



The converter is connected as follows:

RJ45 (Router/CP)	RJ45 (Converter)	5-pin DIN (Converter)	5-pin DIN (Router/CP)
IN	IN	IN	OUT
OUT	OUT	OUT	IN

4.4. Control bus structure

The Network Control Bus structure follows the standard MIDI bus definition. The NCB is defined as a closed chain of units. This means that the NCB OUT of the last unit must be connected to the NCB IN of the first unit in the NCB chain. To avoid problems with the control of Triton units the installer/user has to assure that the bus structure is installed according to this definition. The total number of Triton devices in an NCB chain is limited to 20.

4.5. Maximum distance between NCB devices

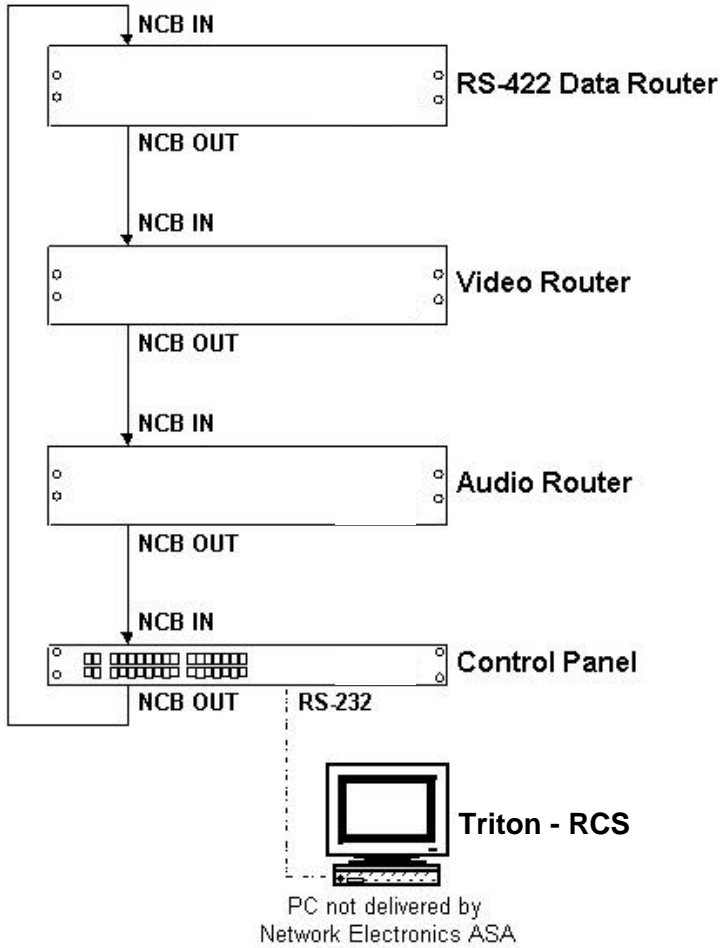
The standard MIDI definition allows a maximum cable length of 250 meters between two devices. Longer distances can be made with MIDI repeater units. To avoid grounding problems all NCB ports have opto-coupled inputs.

4.6. Control Bus configuration notes

In order to achieve a system that is easy to maintain and control, follow the important notes, presented hereunder.

- *Avoid using routers of different size, but same signal type (audio/video), on the same level.*
 Example: Do not configure a system with a BVS-1616 and a BVS-0808 on the same level. If they were on the same level, crosspoint commands that were sent to the BVS-1616 lying outside the range of the BVS-0808 would not be executed; the BVS-0808 would throw them off the bus. However, a combination of a BVS-1616 and an BAS-0808 will work well, because commands are different for video- and audio routers.
- *Try to limit the number of devices on one Control Bus loop.* If possible, separate systems that are not to be controlled by one central control panel.
 If you need to have several systems in one loop, try to separate as follows, using the DIP switches on the rear of the devices:
 - Analogue Video + Analogue Audio + CP for analogue system on Level 1
 - SDI + AES/EBU + CP for digital system on Level 2
 - RS-422 Data + CP for data on Level 3

- Universal Control Panel to control all devices above, with user configurable default level.
- Pay attention to the figure below, in order to achieve full controllability of all devices in the loop.



Note!
The Video and Audio Routers may swap positions in the loop. However, they **MUST** be positioned **AFTER** the RS-422 Data Router. The Control Panels **must** be the **last** devices before closing the loop.

- Complete the Control loop, by connecting all Control bus connections to all Triton devices, before powering up any Triton device.

5. Router configuration

5.1. Router level

Switch 1 - 4 on the configuration switch set the router's level for communication with the Triton - Router Control System, and other units in the NCB system. The panels on the NCB dedicated to operate with the router must be configured to the same level as that router.

If several routers are combined to form an Audio Follow Video, RGB or similar system, these routers must be configured to the same level.

The levels can be switched according to the following pattern:

- means switch down
- * means switch up

Default level is 1.

Switch	1	2	3	4	Level
-	-	-	-	-	1
-	-	-	-	*	2
-	-	*	-	-	3
-	-	*	*	-	4
-	*	-	-	-	5
-	*	-	*	-	6
-	*	*	-	-	7
-	*	*	*	-	8
*	-	-	-	-	9
*	-	-	-	*	10
*	-	*	-	-	11
*	-	*	*	-	12
*	*	-	-	-	13
*	*	-	*	-	14
*	*	*	-	-	15
*	*	*	*	-	16

5.2. Router orientation

There is always a bi-directional connection between an S-port and a D-port when a connection is made. There is therefore an output on both the S-port and the D-port. A Status Request of the router will normally (with DIP-SW 6 down) give the status of the Destinations ports from 1 to 32, i.e. which Source ports D-1 through D-32 is connected to. This is called "Destination-oriented".

However, with DIP-SW 6 in the UP position, the router is "Source-oriented". A Status Request will then produce the status of the Sources ports from 1 to 32, i.e. which Destination ports S-1 through S-32 is connected to.

When using the "Destination-oriented" setup, the output buttons of a control panel will choose which Destination to control, and the input buttons will choose which Source is to control that Destination.

When using the "Source-oriented" setup, the output buttons of a control panel will choose which Source is the controlling device, and the input buttons will choose which Destination is to be controlled. The latter approach makes it easier to use a single-bus panel to select one-of-several machines to control from a single location.

The router orientation can be switched according to the following pattern:

- means switch down
- * means switch up

Switch 6 Router Orientation

- Destination-oriented
- * Source-oriented

Default is "Destination-oriented" setup.

5.3. Control mode

The BRS-3232 router can be assigned to either the video layer or the audio layer of a matrix system. With switch 7 on the configuration switch you can set BRS-3232 to be controlled as either video or as audio.

- means switch down
- * means switch up

Switch 7 Mode

- Controlled as audio
- * Controlled as video

Default mode is controlled as audio.

6. Connecting RS-422 signals to the BRS-3232

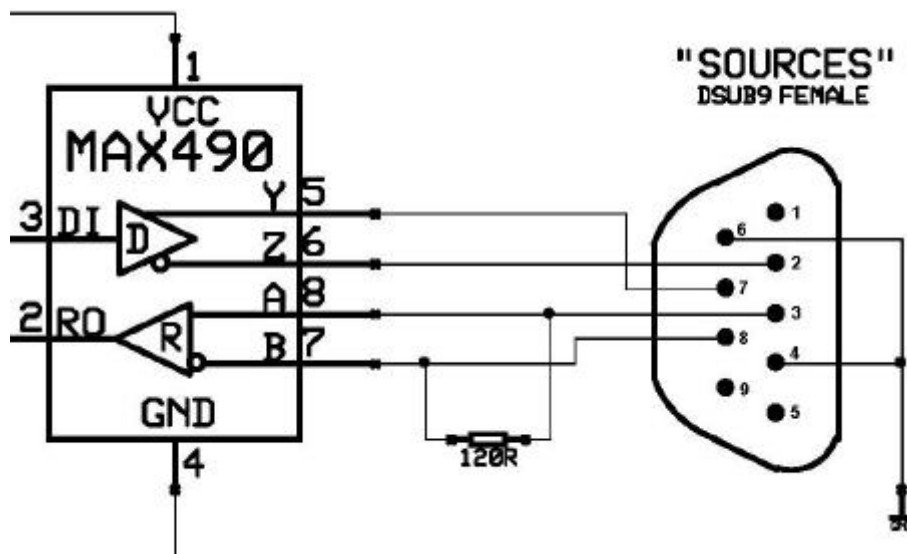
All ports (sources and destinations) on the BRS-3232 are coupled in accordance to the SMPTE-207M standard. All RS-422 connectors used on the router are female types DB9.

Sources

There are 32 female D-SUB-9 connectors marked S-1 to S-32. The "S" indicates "Sources". These are intended for direct (one-to-one) connections to Controlling equipment, and they are therefore assigned according to SMPTE207M Tributary:

- Pin 3: RX+
- Pin 8: RX-
- Pin 4,6: GND
- Pin 2: TX-
- Pin 7: TX+

The following drawing shows the internal schematic diagram of a *source* connection:

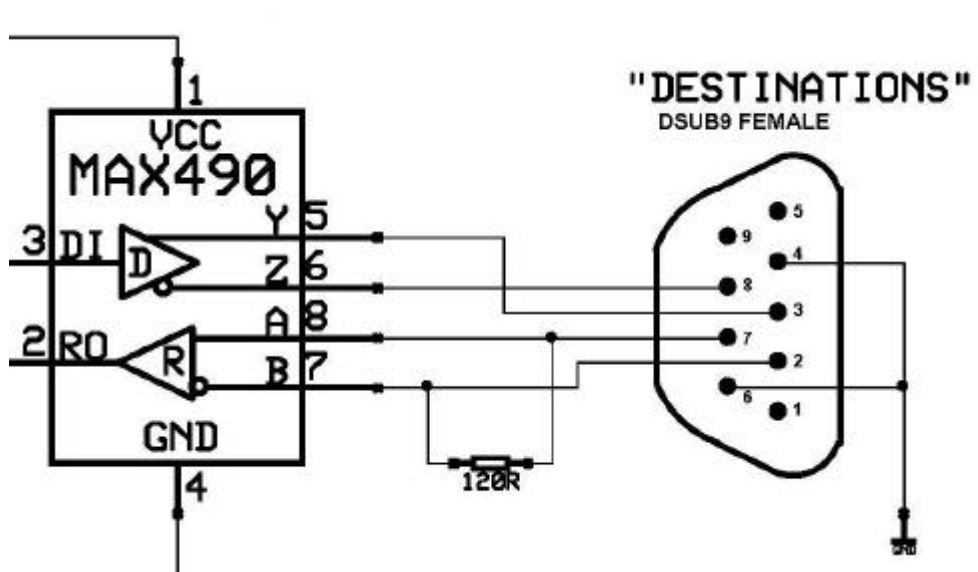


Destinations

There are 32 female D-SUB-9 connectors marked D-1 to D-32. The "D" indicates "Destinations". These are intended for direct (one-to-one) connections to Controlled equipment, and they are therefore assigned according to SMPTE207M Bus Controller:

Pin 7:	RX+
Pin 2:	RX-
Pin 4,6:	GND
Pin 8:	TX-
Pin 3:	TX+

The following drawing shows the internal schematic diagram of a *destination* connection:



7. Control and connection of Triton systems, interface protocol

7.1. Important notes regarding the Triton Control Protocol

7.1.1. Binary Code

The strings shown on the next pages are in binary coded format. Please be aware of the fact that any terminal program you may use to control a Triton unit from a PC must be able to generate hexadecimal characters. ASCII characters will not be accepted.

7.1.2. Echo

A matrix will reply on a crosspoint set command with an ECHO. In the case where a crosspoint is already set no ECHO will be sent. If the matrix is part of an NCB system two types of reply will be sent. Immediately after receiving the crosspoint set command the ECHO will be sent. The matrix will then wait for the command to pass the NCB system. After receiving the command from the NCB system the matrix will send the command as an ACKNOWLEDGE.

7.1.3. RS-422 Matrixes

RS-422 Data Routers do not accept distribution of an input signal to several outputs. An input signal can only be routed to one single output. The Firmware of our RS-422 routers takes care of these limitations. If an input (Source) is already connected to a particular output (Destination) any connection of this input to another output will disconnect the previous connection. The router will in this case send the following message for the disconnected output: Output connected to input 128. Input 128 is an internal default for the disconnect status. Please see Network recommendations for use of RS-422 data routers for further information.

7.1.4. Timeout

The Crosspoint Status Request message has a timeout, which means that you need to wait 1 second in between request messages.

7.2. Basic principles

Any message on any level (address) which conforms to the standard arriving at either the NCB or the RS232 port, will be re-sent on both NCB and RS232. The only exceptions are:

- a) A matrix which recognizes its address will not re-transmit the message if the crosspoint is already set.
- b) A matrix which recognizes its address will not re-transmit the message if the output number or input number exceeds its size.
- c) A unit (matrix or panel) will not re-transmit a message arriving at the NCB if it was re-transmitted a short while ago (typically 0.5 sec). This is done by grabbing a message storing it for the timeout period, and comparing it with new messages. After the timeout period the unit will grab a new message for compare. This is done to remove unwanted (read: unknown) messages from the NCB ring.
- d) A message arriving at the RS232 will always be re-transmitted unless it is a matrix, and one of the cases a) or b) is fulfilled.

7.2.1. Example: A single unit with no NCB connected

Messages sent to the RS232 of a single unit will be returned once no matter what address or input/output number the message has, unless it is a matrix which recognizes one of the conditions a) or b) above.

7.2.2. Example: Several units connected by NCB

Messages sent to the RS232 of a single unit will be returned once no matter what address or input/output number the message has, unless it is a matrix which recognizes one of the conditions a) or b) above.

If none of the cases a) or b) is fulfilled the message will also be transmitted on the NCB. Then if any unit on the NCB ring recognizes any of the cases a)/b) or c), the message will stop at that point. This means that the message will only be returned once on the RS232.

However, if none of the units on the NCB ring recognizes any of the cases a) to c), the message will return to the originator (the unit which received the message on RS232). This unit will re-transmit the message once more on both NCB and RS232. The message is therefore returned a second time on RS232. This time one of the cases a) or c) is sure to be identified by one of the units on the NCB ring, and the message is removed.

There is however one more special case: If several messages for unused addresses are transmitted with only little delay, one might experience that some messages are returned several times, as the store/compare/remove function in case c) can only handle a single message at the time. We therefore recommend that the user avoid sending messages to unused addresses.

7.3. RS232

The RS-232 port is used for external control of Triton units. The RS-232 port allows the customer to control the equipment via the Triton Router Control System PC program or self-defined customized solutions.

Connector for the RS-232 port is a DS9 female.

Pin 2 - Tx.

Pin 3 - Rx

Pin 5 - GND

A standard DCE (Data Communication Equipment) cable can be used for connection between PC and Triton equipment. The connection between the connectors is made one-to-one.

Data-rate is 19200 baud/sec with 8 data-bit, 1 stop-bit, no parity.

7.4. NCB

The NCB is used for interconnection between several Triton units. Up to 20 routers and/or control panels can be linked together to form a routing system with many operational features.

The NCB utilises a 5 mA current loop with opto coupled ports.
Standard connector is a 5pin DIN.

Standard MIDI cables can be used to interconnect several Triton units.

Data-rate is 31.25 kbps.

1 start-bit, 8 data-bit, no parity, 1 stop-bit. Logical 0 = current ON.

7.5. Commands

7.5.1. Audio crosspoint set

Only for use with Audio routers.

Command for setting of crosspoints:

1001nnnn 0kkk kkkk 0vvv vvvv

- nnnn is the matrix address from 0 up to 15.
- kkk kkkk is the output which shall be controlled.
 - kkk kkkk = output number
 - 0 = output 1
 - 127 = output 128
- vvv vvvv is the input which shall be connected to the chosen output.
 - vvv vvvv = input number

7.5.2. Audio crosspoint set acknowledge

Only for use with Audio routers.

Command for acknowledging setting of crosspoints:

1000nnnn 0kkk kkkk 0vvv vvvv

- nnnn is the matrix address from 0 up to 15.
- kkk kkkk is the output which shall be controlled.
 - kkk kkkk = output number
 - 0 = output 1
 - 127 = output 128
- vvv vvvv is the input which shall be connected to the chosen output.
 - vvv vvvv = input number

7.5.3. Video crosspoint set

Only for use with Video routers.

Command for setting of crosspoints:

1010nnnn 0kkkkkkk 0vvvvvvv

- nnnn is the matrix address from 0 up to 15.
- kkk kkkk is the output which shall be controlled.
 kkk kkkk = output number
 0 = output 1
 127 = output 128
- vvv vvvv is the input which shall be connected to the chosen output.
 vvv vvvv = input number.

7.5.4. Video crosspoint set acknowledge

Only for use with Video routers.

Command for acknowledging setting of crosspoints:

1011nnnn 0kkkkkkk 0vvvvvvv

- nnnn is the matrix address from 0 up to 15.
- kkk kkkk is the output which shall be controlled.
 kkk kkkk = output number
 0 = output 1
 127 = output 128
- vvv vvvv is the input which shall be connected to the chosen output.
 vvv vvvv = input number.

7.5.5. Crosspoint status request

This command is used for status request on Audio and Video routers.

1100nnnn 0xxxxxxx

- nnnn is the matrix address from 0 up to 15.
- xxxxxxxx - do not carry any information

The requested router (Audio or Video) will send its crosspoint status on NCB OUT and RS232. The same command format as for crosspoint set is used.