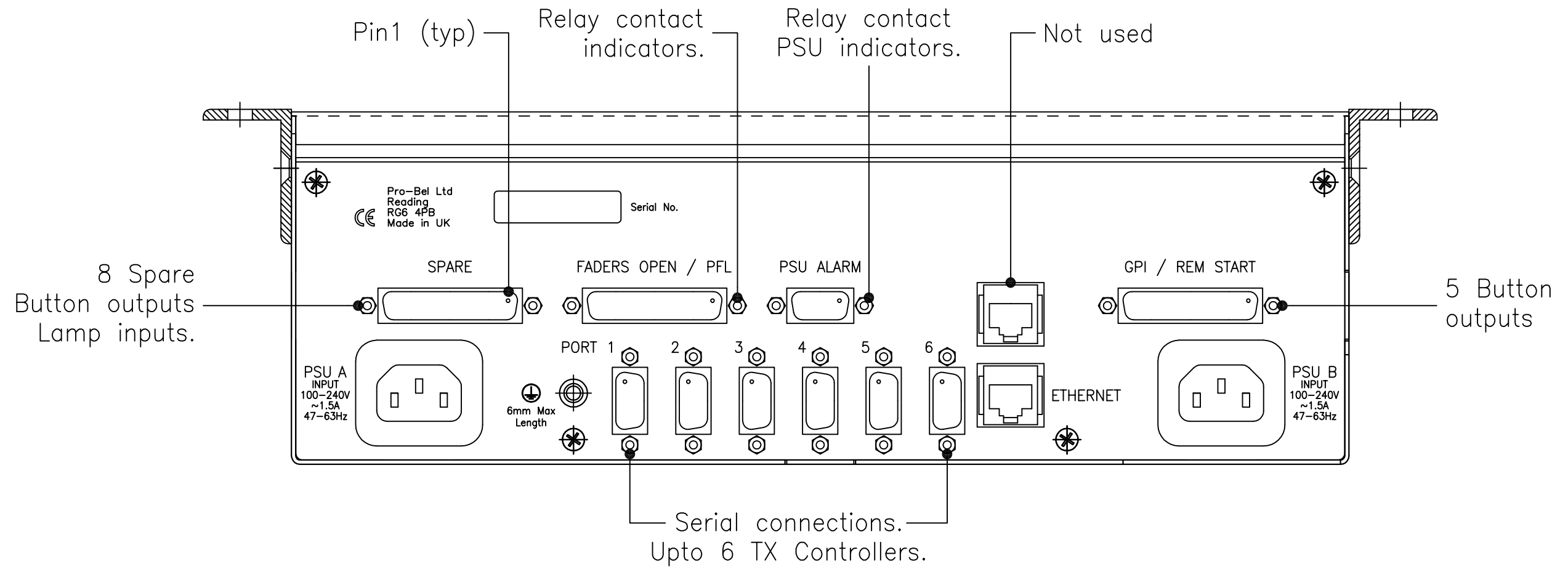


223560



ACAD FILE NAME  
223560-1

DO NOT SCALE DRAWING !

										ISS	THIRD ANGLE PROJECTION	TOLERANCES UNLESS STATED:- 1 ± 0.4 1.0 ± 0.13 DIA +0.13 -0 ANGLES ±1°	DRN	RM	PRO-BEL LIMITED					
										MDD			CHK		TITLE FADER PANEL - REAR VIEW					
										DATE	ALL DIMENSIONS IN MILLIMETRES		APP		FINISH -					
										1			DATE	18.02.04		MATERIAL	-		DRG NO	223560