



Cygnus

Getting Started Guide

This leaflet is designed for quick reference only, and the user will have to refer to the User Guides for both Cygnus and Nebula for detailed information. Nebula is the Snell router control system included with a Cygnus master router.

Connecting Your Router

See the rear view diagram included in this leaflet.

To connect a Nebula database editor, use the 'RS232 configuration port' for 'CTRL A', this will work unless a controller changeover has occurred, in which case the 'CTRL B' port must be used.

An external control system may be connected using an Ethernet or RS485 serial port. Ensure that the jumpers on the control card are configured appropriately by referring to the 'Configuring the control module' section of the Cygnus user guide.

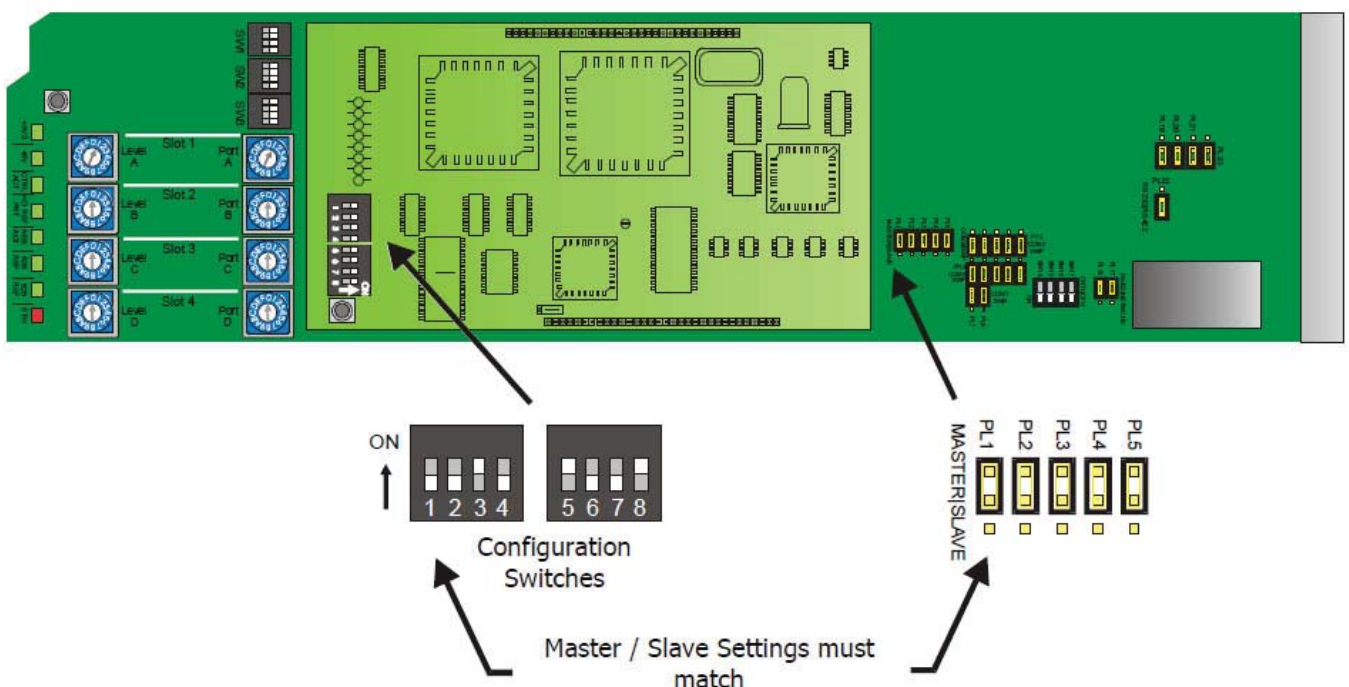
Controlling Your Router

Every Cygnus router must have at least one 2444 control card fitted. The 2444 card is the Nebula controller, which holds the system database. The 2444 is a sub-board that is fitted to the interface card 2449. The two cards are in turn fitted to the 1280 carrier card, which slides into the Cygnus frame. Two of the same may be fitted for redundancy.

There are two sets of switches on the router control card which determine the router operation, and these are described in this leaflet. There is also a set of 8 HEX switches; these should be set according to the table.

Rotary Hex Switches Settings for Cygnus		
Slot	Level	Port
Slot 1	1	1
Slot 2	0	0
Slot 3	0	0
Slot 4	0	0

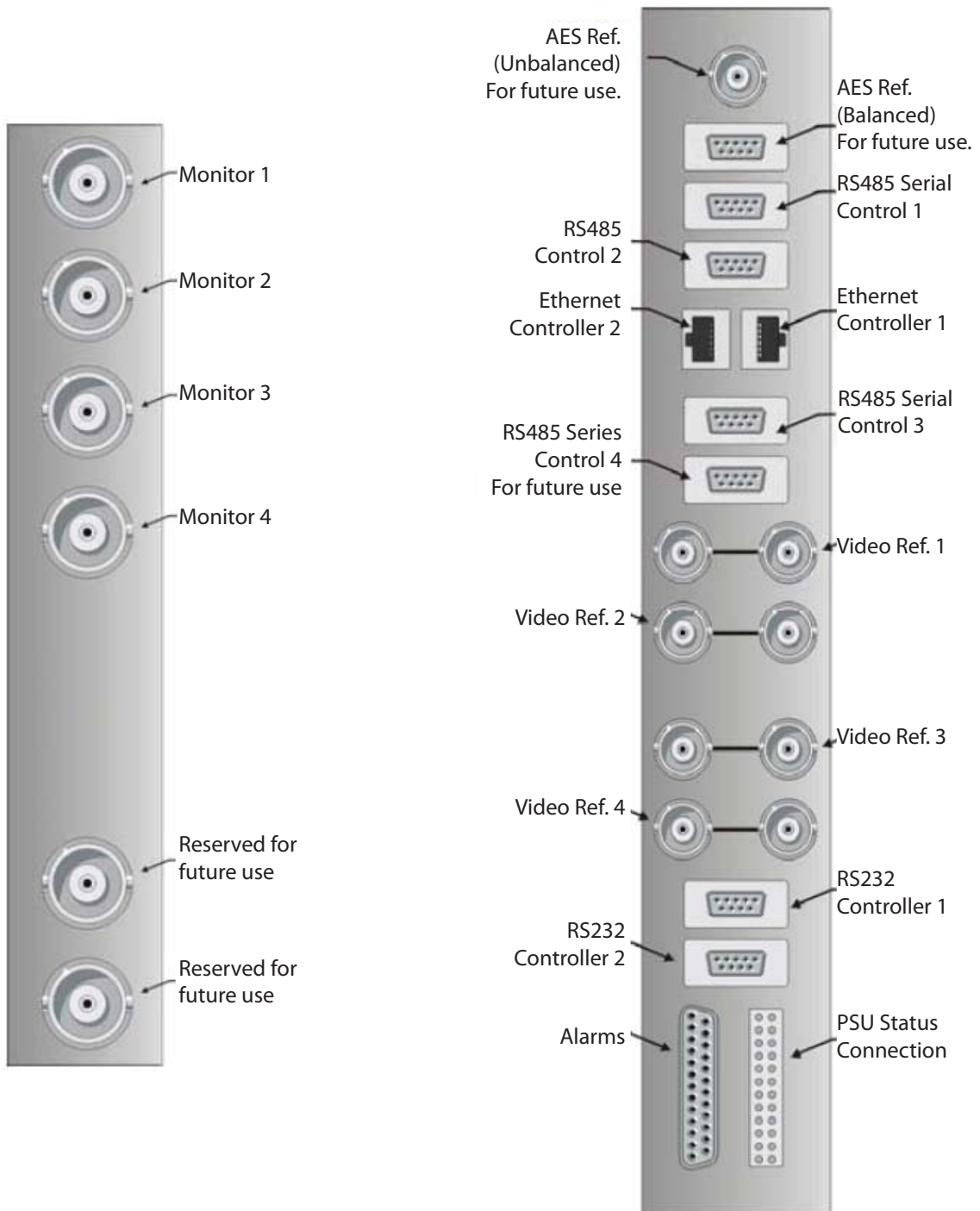
Control Card Switch Settings



Standard Nebula Database

Cygnus uses a standard Nebula database. Please refer to the document 'Standard Nebula Database' for a detailed description.

Rear Panel Control Connections





277	133	265	121	253	109	241	97	229	85	217	73
278	134	266	122	254	110	242	98	230	86	218	74
279	135	267	123	255	111	243	99	231	87	219	75
280	136	268	124	256	112	244	100	232	88	220	76
281	137	269	125	257	113	245	101	233	89	221	77
282	138	270	126	258	114	246	102	234	90	222	78
283	139	271	127	259	115	247	103	235	91	223	79
284	140	272	128	260	116	248	104	236	92	224	80
285	141	273	129	261	117	249	105	237	93	225	81
286	142	274	130	262	118	250	106	238	94	226	82
287	143	275	131	263	119	251	107	239	95	227	83
288	144	276	132	264	120	252	108	240	96	228	84

INPUTS

205	61	193	49	181	37	169	25	157	13	145	1
206	62	194	50	182	38	170	26	158	14	146	2
207	63	195	51	183	39	171	27	159	15	147	3
208	64	196	52	184	40	172	28	160	16	148	4
209	65	197	53	185	41	173	29	161	17	149	5
210	66	198	54	186	42	174	30	162	18	150	6
211	67	199	55	187	43	175	31	163	19	151	7
212	68	200	56	188	44	176	32	164	20	152	8
213	69	201	57	189	45	177	33	165	21	153	9
214	70	202	58	190	46	178	34	166	22	154	10
215	71	203	59	191	47	179	35	167	23	155	11
216	72	204	60	192	48	180	36	168	24	156	12

553	265	529	241	505	217	481	193	457	169	433	145
554	266	530	242	506	218	482	194	458	170	434	146
555	267	531	243	507	219	483	195	459	171	435	147
556	268	532	244	508	220	484	196	460	172	436	148
557	269	533	245	509	221	485	197	461	173	437	149
558	270	534	246	510	222	486	198	462	174	438	150
559	271	535	247	511	223	487	199	463	175	439	151
560	272	536	248	512	224	488	200	464	176	440	152
561	273	537	249	513	225	489	201	465	177	441	153
562	274	538	250	514	226	490	202	466	178	442	154
563	275	539	251	515	227	491	203	467	179	443	155
564	276	540	252	516	228	492	204	468	180	444	156
565	277	541	253	517	229	493	205	469	181	445	157
566	278	542	254	518	230	494	206	470	182	446	158
567	279	543	255	519	231	495	207	471	183	447	159
568	280	544	256	520	232	496	208	472	184	448	160
569	281	545	257	521	233	497	209	473	185	449	161
570	282	546	258	522	234	498	210	474	186	450	162
571	283	547	259	523	235	499	211	475	187	451	163
572	284	548	260	524	236	500	212	476	188	452	164
573	285	549	261	525	237	501	213	477	189	453	165
574	286	550	262	526	238	502	214	478	190	454	166
575	287	551	263	527	239	503	215	479	191	455	167
576	288	552	264	528	240	504	216	480	192	456	168

OUTPUTS

409	121	385	97	361	73	337	49	313	25	289	1
410	122	386	98	362	74	338	50	314	26	290	2
411	123	387	99	363	75	339	51	315	27	291	3
412	124	388	100	364	76	340	52	316	28	292	4
413	125	389	101	365	77	341	53	317	29	293	5
414	126	390	102	366	78	342	54	318	30	294	6
415	127	391	103	367	79	343	55	319	31	295	7
416	128	392	104	368	80	344	56	320	32	296	8
417	129	393	105	369	81	345	57	321	33	297	9
418	130	394	106	370	82	346	58	322	34	298	10
419	131	395	107	371	83	347	59	323	35	299	11
420	132	396	108	372	84	348	60	324	36	300	12
421	133	397	109	373	85	349	61	325	37	301	13
422	134	398	110	374	86	350	62	326	38	302	14
423	135	399	111	375	87	351	63	327	39	303	15
424	136	400	112	376	88	352	64	328	40	304	16
425	137	401	113	377	89	353	65	329	41	305	17
426	138	402	114	378	90	354	66	330	42	306	18
427	139	403	115	379	91	355	67	331	43	307	19
428	140	404	116	380	92	356	68	332	44	308	20
429	141	405	117	381	93	357	69	333	45	309	21
430	142	406	118	382	94	358	70	334	46	310	22
431	143	407	119	383	95	359	71	335	47	311	23
432	144	408	120	384	96	360	72	336	48	312	24

300	444	312	456	324	468	336	480	348	492	360	504
299	443	311	455	323	467	335	479	347	491	359	503
298	442	310	454	322	466	334	478	346	490	358	502
297	441	309	453	321	465	333	477	345	489	357	501
296	440	308	452	320	464	332	476	344	488	356	500
295	439	307	451	319	463	331	475	343	487	355	499
294	438	306	450	318	462	330	474	342	486	354	498
293	437	305	449	317	461	329	473	341	485	353	497
292	436	304	448	316	460	328	472	340	484	352	496
291	435	303	447	315	459	327	471	339	483	351	495
290	434	302	446	314	458	326	470	338	482	350	494
289	433	301	445	313	457	325	469	337	481	349	493

INPUTS

372	516	384	528	396	540	408	552	420	564	432	576
371	515	383	527	395	539	407	551	419	563	431	575
370	514	382	526	394	538	406	550	418	562	430	574
369	513	381	525	393	537	405	549	417	561	429	573
368	512	380	524	392	536	404	548	416	560	428	572
367	511	379	523	391	535	403	547	415	559	427	571
366	510	378	522	390	534	402	546	414	558	426	570
365	509	377	521	389	533	401	545	413	557	425	569
364	508	376	520	388	532	400	544	412	556	424	568
363	507	375	519	387	531	399	543	411	555	423	567
362	506	374	518	386	530	398	542	410	554	422	566
361	505	373	517	385	529	397	541	409	553	421	565



Power Supply Information

The power supplies are auto sensing between 110V and 230V. Connect the 4 cables to the IEC connector(s) at the rear of the frame. The green power OK LED on the front of each power supply should turn on.



**THIS UNIT IS HEAVY.
TAKE CARE WHEN MOVING IT.**



Snell, Hartman House, Danehill
Lower Earley, Reading, Berkshire RG6 4PB
United Kingdom / +44 (0)118 986 6123 /
info@snellgroup.com

Company policy is one of continuous
product improvement. Specifications are
subject to change without notice.