



**Halo**  
Getting Started Guide

This leaflet is designed for quick reference only, and the user will have to refer to the user guides for both Halo and Nebula for detailed information. Nebula is the Snell router control system included with a Halo Master router.

### Control Configurations

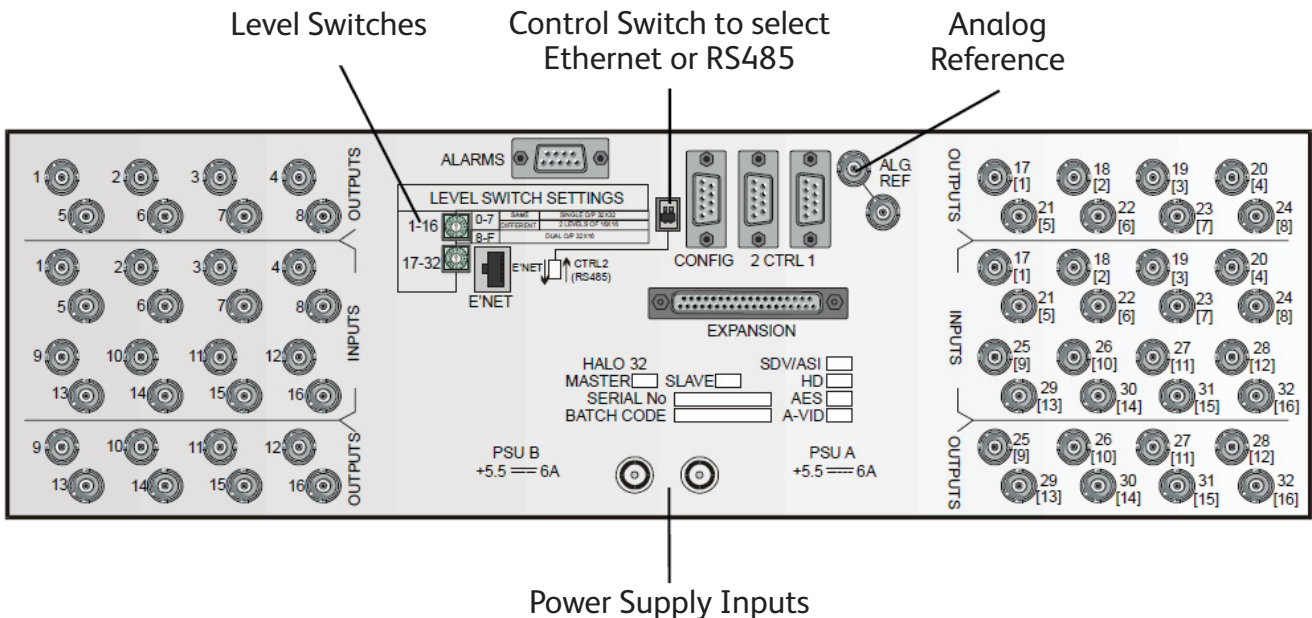
If clean switching is required, an analog reference of the required standard must be connected to the ALG. REF BNC. It is auto-detecting and one standard is used for the entire system.

Master units (see rear panel label) have a control card fitted with a pre-configured database. The database on the unit is configured for 4 32<sup>2</sup> levels. If you want to change this you will need to use the Nebula Editor program and download a new setting via the Config port.

By default CTRL 1 is configured as multi-drop and CTRL 2 as general switcher. If you want to use the Ethernet port you must set the switch to the left of the CONFIG port correspondingly to Enet (down) or to CTRL 2 (up).

If you have a slave unit you need to set the level switches correctly and connect to a master router using the 37-way cable provided.

### BNC Rear View



## Level Switches

On a HALO 16 there is only one switch. This should be set to the required level between 0 and 7 (corresponding to levels 1 to 8), positions 8 – F are not used.

A HALO 32 unit can be configured in a number of ways:

Single 32 x 32 router – set both level switches to the same setting between 0 and 7 (levels 1 – 8).

Two separate routers each 16 x 16 – set the upper switch (1 – 16) to the level for the left side looking from the rear, and the lower switch (17 – 32) to the level for the right side of the router. When using the right side as a separate 16 x 16 router the channel numbering is in square brackets i.e. 17 [1], is the 17th channel of the 32<sup>2</sup> router and channel 1 of the 16<sup>2</sup> router.

A single 32 x 16 with dual outputs – set both switches to the same setting between 8 and F, corresponding to levels 1 to 8 at an offset of 8. This means when you set a route to destination 3 it will appear on outputs 3 and 19 [3].

## Power Supplies

The unit is supplied with two PSUs. These are plugged in at the rear of the unit and the corresponding LED lights at the front. The units can be placed in the tray provided or tied elsewhere in the frame. If the PSU trays are used there are holes in the side of the tray for them to be secured using cable ties across the tops of the units. If the tray is not to be used there are two studs on the rear of the unit for holding cable ties to secure the end of the power cord.



**Snell**, Hartman House, Danehill  
Lower Earley, Reading, Berkshire RG6 4PB  
United Kingdom / +44 (0)118 986 6123 /  
[info@snellgroup.com](mailto:info@snellgroup.com)

Company policy is one of continuous  
product improvement. Specifications are  
subject to change without notice.