

Contents

1	Introduction	2
2	Installation	4
2.1	Signal I/O	5
3	Configuration	8
3.1	Setting reference options	8
3.2	Selecting the output sample rate	10
3.3	Selecting test tones	11
3.4	Adjusting the 48kHz on-board oscillator	12
4	Status monitoring	14
5	Trouble shooting	16
6	Specification	18

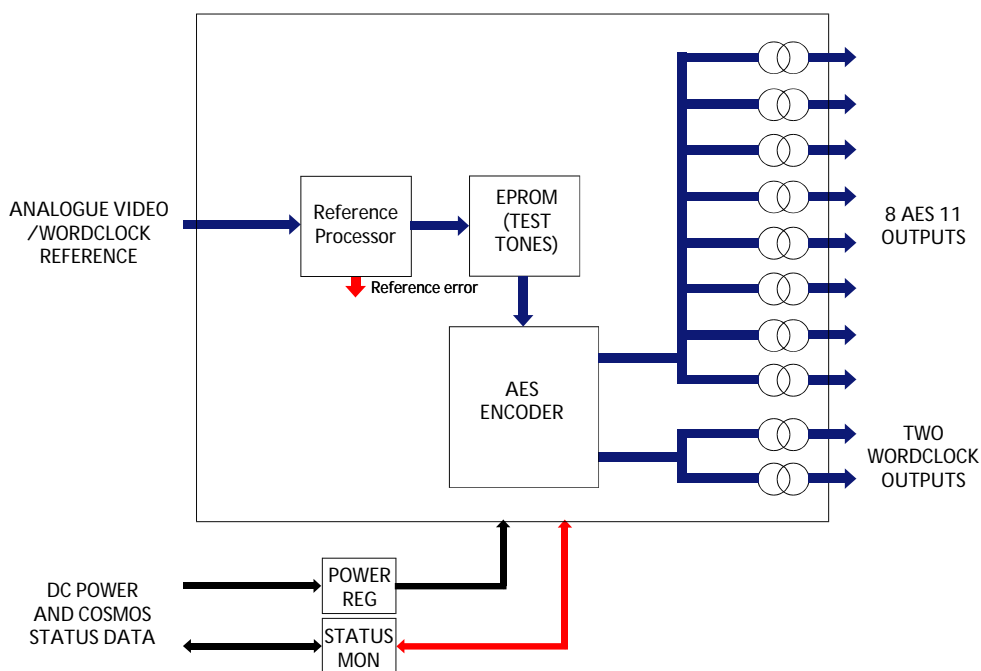
1 Introduction

The 4404 is an AES11 digital audio reference signal (DARS) generator. It is designed to lock to a video reference or wordclock and provides eight continuous or interrupted AES tones and two wordclock outputs.

The module may be used in the 1050 3U and 1051 1U ICON modular product rackframes with a choice of balanced or unbalanced rear connectors.

Characteristics of the 4404 are:

- eight outputs to AES11-1997 at 110Ω balanced or 75Ω unbalanced
- switch configurable 1kHz or 500Hz audio tones to EBU R68 or SMPTE RP155.
- left channel interrupted or continuous
- alternative positive pulse outputs at 25Hz, 250Hz or video reference frame rate
- analogue 525/625 video and wordclock reference inputs
- two wordclock outputs
- compatible with Pro-Bel COSMOS status monitoring



The 4404 digital audio reference generator

