

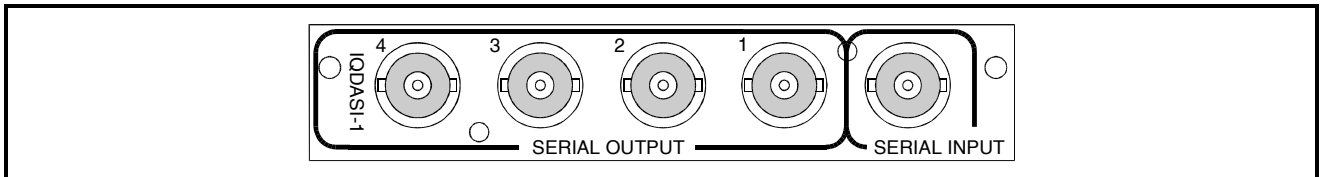
IQDASI Re-clocking ASI Distribution Amplifier



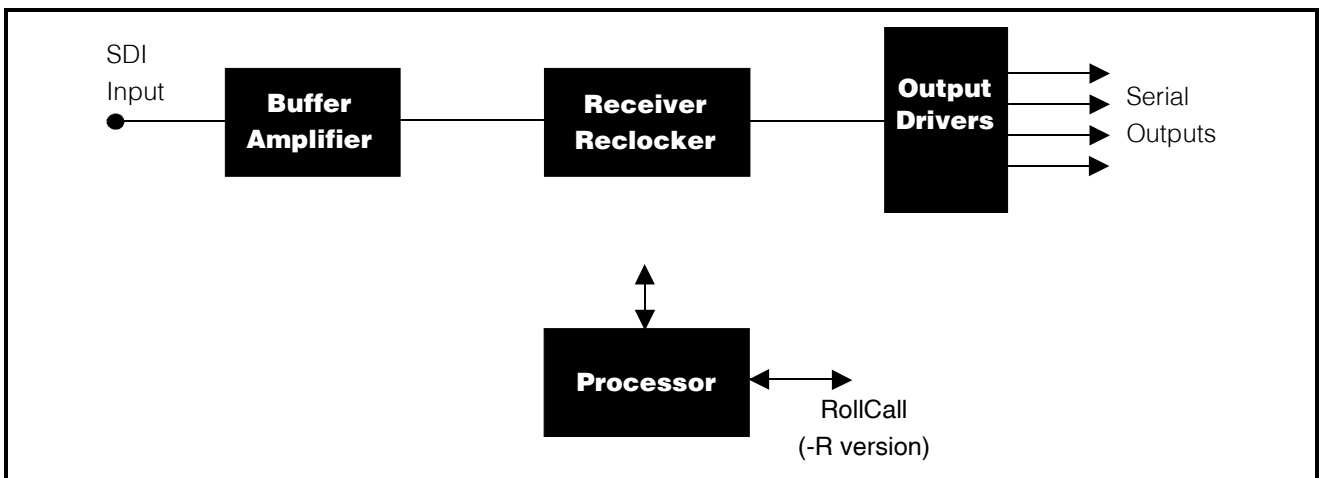
Module Description

The IQDASI is a re-clocking distribution amplifier suitable for use with 270 Mbit SDI or ASI serial streams

REAR PANEL VIEW



BLOCK DIAGRAM



Versions of the module cards available are:

- IQDASI-1 ASI Distribution amplifier re-clocking, 4 outputs
- IQDASI-1-R ASI Distribution amplifier re-clocking, 4 outputs with RollCall

- Single width module
- Single width module

Features

- Automatic equalization and reclocking for > 200 metres
- Four buffered non-inverting outputs
- Signal loss indication
- Low power consumption
- RollCall control option available

Technical Profile

Features

Signal Inputs

Serial Digital Video 1 x 270 Mbit SDI or ASI stream
Standards SMPTE 259M-C-1997, DVB PI

Signal Outputs

Serial Digital Video 4 x re-clocked SDI/ASI
Standards SMPTE 259M-C-1997, DVB PI

Controls

None

Indicators

No Signal Loss of Serial Input
Power Presence of Power Supplies

Specifications

Input Return Loss better than 15 dB to 270 MHz

Maximum Input cable Length
..... >200 m

Output Return Loss better than 15 dB to 270 MHz

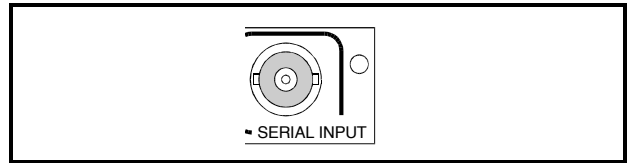
Power Consumption

Module Power Consumption
..... 3W max

INPUTS AND OUTPUTS

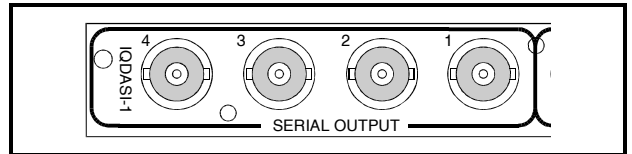
SERIAL INPUT

The ASI input to the unit is made via this BNC connector which terminates in 75 Ohms.

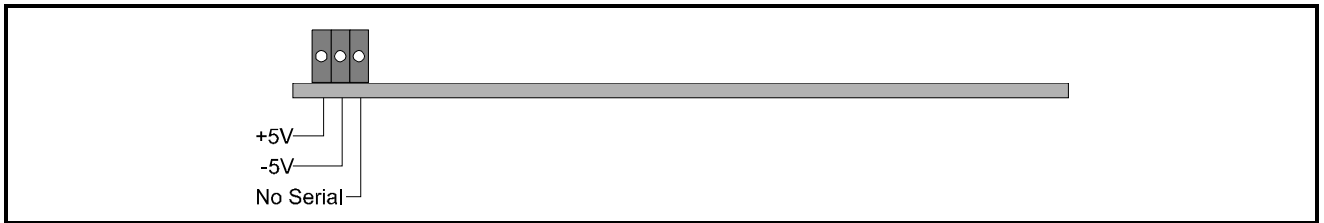


SERIAL OUTPUTS

These are the four isolated ASI outputs of the unit via BNC connectors for 75 Ohms.



CARD EDGE CONTROLS



LED INDICATORS

No Input

When this LED is illuminated this indicates that there is no valid input signal present.

+ Power and - Power

When illuminated, these LED's indicate that the +5 V and the -5 V power supplies are present.

