

Field Modification Note

075063300

REFERENCE ECO: **125G**

EFFECTIVITY DATE: **OCTOBER, 2000**

8920DAC AUDIO D-A CONVERTER

ASSEMBLY NUMBER 671-4795-01/-02

Contacting Grass Valley Group

Region	Voice	Fax	Address	Web Site
North America	(800) 547-8949 530-478-4148	(530) 478-3347	Grass Valley Group P.O. Box 599000	www.grassvalleygroup.com
Pacific Operations	+852-2585-6688 Support: 852-2585-6579	+852-2802-2996	Nevada City, CA 95959-7900 USA	
U.K., Europe, Asia, Middle East	+44 1753 218 777	+44 1753 218 757		
France	+33 1 45 29 73 00			
Germany	+49 221 1791 234	+49 221 1791 235		

Copyright © Grass Valley Group. All rights reserved.

This document may not be copied, in whole or in part, or otherwise reproduced, except as specifically permitted under U.S. copyright law, without the prior written consent of Grass Valley Group, P.O. Box 599000, Nevada City, CA 95959-7900 USA. GRASS VALLEY GROUP is a registered trademark and Grass Valley is a trademark of Grass Valley Group. All registered trademarks and trademarks are property of their respective holders. Grass Valley Group products are covered by U.S. and foreign patents, issued and pending. Product options and specifications subject to change without notice. The information in this manual is furnished for informational use only, is subject to change without notice, and should not be construed as a commitment by Grass Valley Group. Grass Valley Group assumes no responsibility or liability for any errors or inaccuracies that may appear in this publication.

FMN 075063300

8920DAC Audio Digital to Analog Converter Module Assembly Number: 671-4795-01/-02

Purpose

This field modification corrects a problem with the Philips microprocessor by fixing the programming voltage during remote download. This prevents the potential corruption of data that could occur during transition of the programming voltage. It requires soldering a jumper wire to the ISP connector on the module. The module will then allow successful remote downloading of software.

This modification applies only to 8920DAC modules with assembly number 671-4795-01/-02.

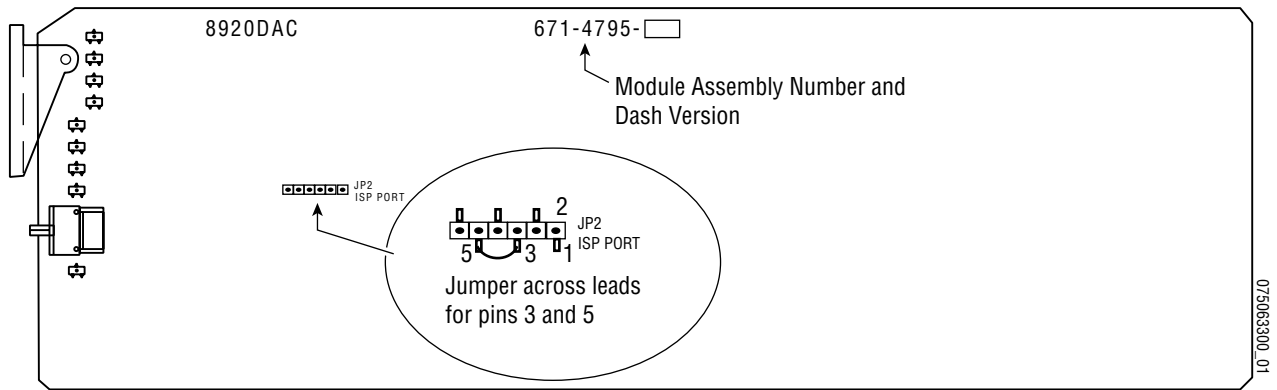
Parts List

This modification requires a small piece of insulated jumper wire (not provided). 30 AWG wire is recommended.

Instructions

1. Locate any 8920DAC module which may need to be modified and remove it from the frame. The module can be removed with the frame powered up.
2. Confirm that the module is a -01 or -02 version. The assembly number is silkscreened on the component side of the circuit board as illustrated in Figure 1 on page 2. The dash version is written in the white box to the right of the assembly number.
3. Locate the ISP jumper, JP2, shown in Figure 1.
4. Solder a piece of insulated 30 AWG wire from the leads between pin 3 and pin 5 as shown.

Figure 1. Jumper Modification



5. Return the module to its original location in the frame. You may plug the module back into the frame while it is powered up.



Grass Valley Group Headquarters
P.O. Box 599000
Nevada City, CA 95959-7900
USA

www.grassvalleygroup.com



0 7 5 0 6 3 3 0 0